

SAFETY GUARDS //

General catalogue
STRUCTURAL LINE

lpm
lpm.group



STRUCTURAL

rev.022020

Profiles	3
Seals	12
Sheets	15
Caps	18
Articulated feet	23
Supports	25
Handles	36
Hinges	39
Electrical material	49
Screws	51
Joint corner elements	55
Groove joint elements	59
Foot fastening plates	62
Support bases - Anchoring brackets	64

PROFILES

Aluminium 8 mm groove profiles

Material and characteristics

All the components are manufactured with an aluminium alloy whose conventional designation is Al Mg 0.5 Si 0.4 Fe UNI 9006/1 alloy

Number : **6060**

Physical state : **F25**

Percent chemical composition:

Si 0.3-0.6 Fe 0.1-0.3 Mn 0.1 Mg 0.35-0.6 Cr0.05 Zn 0.15 Ti 0,1 Al for the remaining part

Surface treatment : **Anodic anodising**

Extrusion tolerances : **DIN 17611 – UNI 3879**

Bar length : **6040 mm.**

The technical characteristics and sizes of products are indicative as they may vary and be subject to functional changes based on enhancements and production issues, which are the sole responsibility of Lpm Group.

Mechanical characteristics

Unit tensile strength Rm : **250 N/mm²**

Proportionality deviation unit load Rp 0.2 : **200 N/mm²**

Elongation A : **10%**

Brinell hardness : **70HB**

Physical characteristics

Density : **2.7 Kg/dm³**

Lower melting point : **approx. 605°C**

Modulus of elasticity : **70,000 N/mm²**

Profiles series 45

B1020-004440 **NEW**

SA01001

Lightweight extruded aluminum MS05 profile, with 4 slots

Finish: silver anodised

Weight: 1.922 kg /m

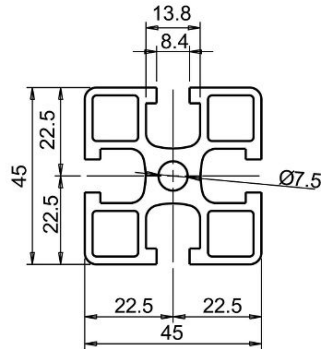
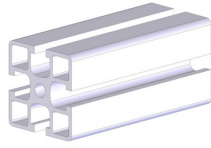
Cut section: 704.776 mm²

Flexural moment of inertia: I_x 12.917 cm⁴

Flexural moment of inertia: I_y 12.917 cm⁴

Torsional moment of inertia: I_t 2 cm⁴

Delivery condition: In stock.



B1020-004496 **NEW**

SA03001

Extruded aluminum MS17 profile

Finish: silver anodised

Weight: 1.772 kg /m

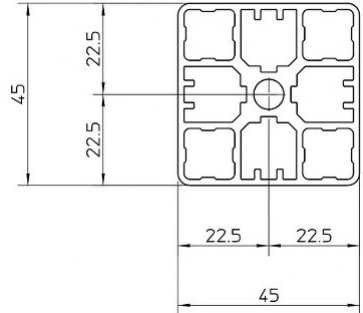
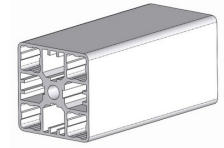
Cut section: 692.43 mm²

Flexural moment of inertia: I_x 13.328 cm⁴

Flexural moment of inertia: I_y 13.328 cm⁴

Torsional moment of inertia: I_t cm⁴

Delivery condition: Available u request. Delivery to be agreed



B1020-004484 **NEW**

SA02006

Semi-closed extruded aluminum MS09 profile

Finish: silver anodised

Weight: 3.268 kg /m

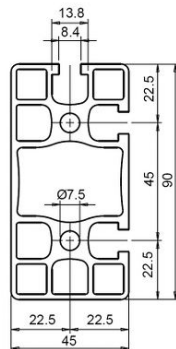
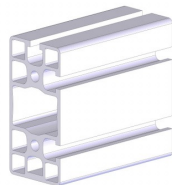
Cut section: 1241.829 mm²

Flexural moment of inertia: I_x 98.913 cm⁴

Flexural moment of inertia: I_y 25.997 cm⁴

Torsional moment of inertia: I_t 1 cm⁴

Delivery condition: In stock.



B1020-004480 **NEW**

SA02005

Semi-closed extruded aluminum MS08 profile

Finish: silver anodised

Weight: 1.822 kg /m

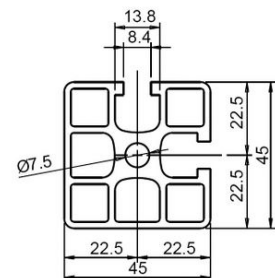
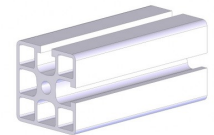
Cut section: 717.6348 mm²

Flexural moment of inertia: I_x 13.275 cm⁴

Flexural moment of inertia: I_y 13.275 cm⁴

Torsional moment of inertia: I_t 2 cm⁴

Delivery condition: In stock.



Profiles series 45

B1020-004446 NEW

SA01003

Extruded aluminum MS07 profile, with 4 grooves

Finish: silver anodised

Weight: 3.244 kg /m

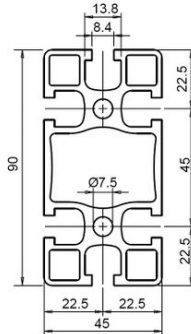
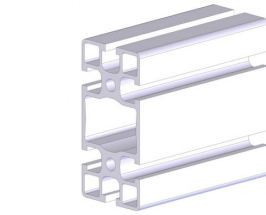
Cut section: 1222.54 mm²

Flexural moment of inertia: I_x 96.888 cm⁴

Flexural moment of inertia: I_y 25.260 cm⁴

Torsional moment of inertia: I_t 1 cm⁴

Delivery condition: In stock.



B1020-004444 NEW

SA01002

Extruded aluminum MS06 profile, with 4 grooves

Finish: silver anodised

Weight: 2.690 kg /m

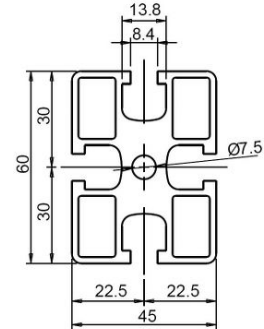
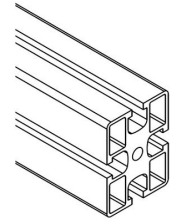
Cut section: 1031.776mm²

Flexural moment of inertia: I_x 28.886 cm⁴

Flexural moment of inertia: I_y 16.397 cm⁴

Torsional moment of inertia: I_t 4 cm⁴

Delivery condition: In stock.



Lightweight profiles series 45

B1020-004529 NEW

SA03010L

Lightweight structural extruded aluminum 45x90 c8mm complitly closed

Finish: silver anodised

Weight: 2,453 kg /m

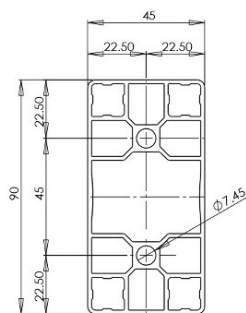
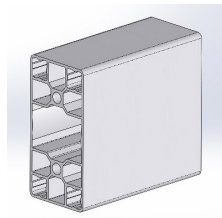
Cut section: 846,32 mm²

Flexural moment of inertia: I_x 74.993 cm⁴

Flexural moment of inertia: I_y 19.90€ cm⁴

Torsional moment of inertia:I_t N.A.

Delivery condition: Available upon request. Delivery to be agreed upon



B1020-004527 NEW

SA02013L

Lightweight structural extruded semiclosed aluminum 45x45mm c8mm with opposed hollows

Finish: silver anodised

Weight: 1,605kg /m

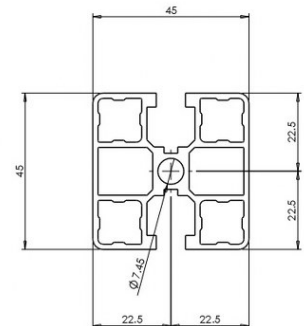
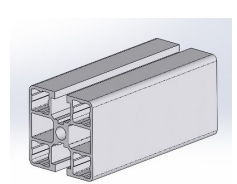
Cut section: 550,59 mm²

Flexural moment of inertia: I_x 10.981 cm⁴

Flexural moment of inertia: I_y 1' cm⁴

Torsional moment of inertia:I_t N

Delivery condition: Available up request. Delivery to be agreed u



Lightweight profiles series 45

B1020-004528 **NEW**

SA02014L

Lightweight structural extruded aluminum 45x45mm profile radiused

Finish: silver anodised

Weight: 1,371 kg /m

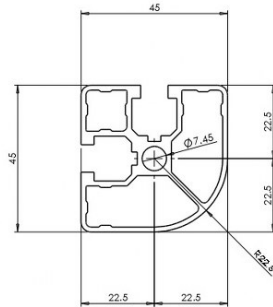
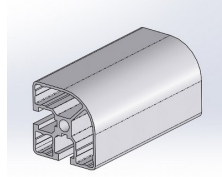
Cut section: 467,86 mm²

Flexural moment of inertia: I_x 8.999 cm⁴

Flexural moment of inertia: I_y 8.999 cm⁴

Torsional moment of inertia: I_t N./

Delivery condition: Available upon request. Delivery to be agreed upon



B1020-004498 **NEW**

SA03001L

Lightweight extruded aluminum Q.45 mm closed profile

Finish: silver anodised

Weight: 1.40 kg /m

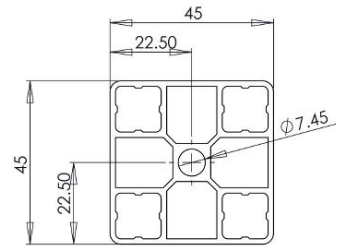
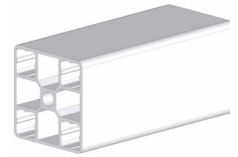
Cut section: 518.647 mm²

Flexural moment of inertia: I_x 10.823 cm⁴

Flexural moment of inertia: I_y 10.823 cm⁴

Torsional moment of inertia: I_t 2 cm⁴

Delivery condition: In stock.



B1020-004486 **NEW**

SA02006L

Semiclosed lightweight extruded aluminum MS26 profile

Finish: silver anodised

Weight: 2.352 kg /m

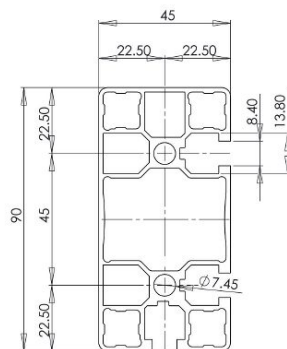
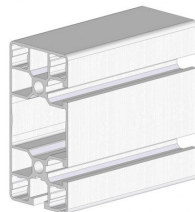
Cut section: 871.306 mm²

Flexural moment of inertia: I_x 76.366 cm⁴

Flexural moment of inertia: I_y 76.366 cm⁴

Torsional moment of inertia: I_t 9 cm⁴

Delivery condition: In stock.



B1020-004482 **NEW**

SA02005L

Semiclosed lightweight extruded aluminum MS25 profile

Finish: silver anodised

Weight: 1.484 kg /m

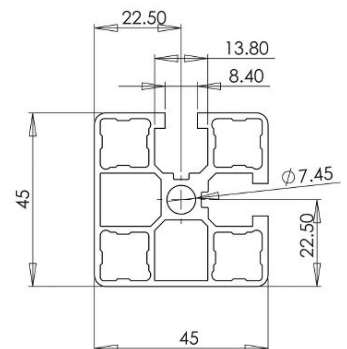
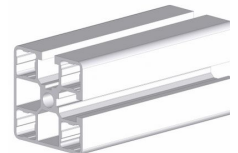
Cut section: 549.660 mm²

Flexural moment of inertia: I_x 10.953 cm⁴

Flexural moment of inertia: I_y 10.953 cm⁴

Torsional moment of inertia: I_t 2 cm⁴

Delivery condition: In stock.



Lightweight profiles series 45

B1020-004461 **NEW**

SA01006L

Lightweight extruded aluminum MS21 profile, with 10 grooves

Finish: silver anodised

Weight: 4.366 kg /m

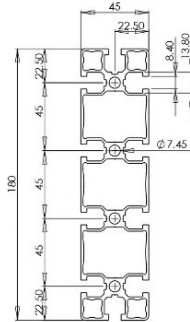
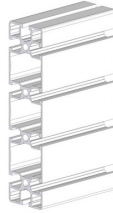
Cut section: 11602.650 mm²

Flexural moment of inertia: I_x 533.430 cm⁴

Flexural moment of inertia: I_y 37.158 cm⁴

Torsional moment of inertia: I_t 570.563 cm⁴

Delivery condition: In stock.



B1020-004448 **NEW**

SA01003L

Lightweight extruded aluminum MS19 profile, with 4 grooves

Finish: silver anodised

Weight: 2.284 kg /m

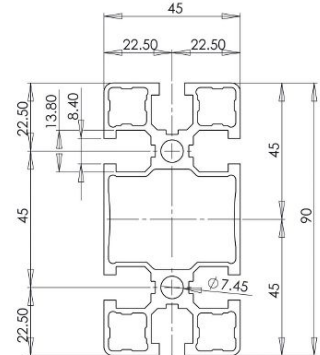
Cut section: 926.834 mm²

Flexural moment of inertia: I_x 79.914 cm⁴

Flexural moment of inertia: I_y 19.733 cm⁴

Torsional moment of inertia: I_t 9 cm⁴

Delivery condition: In stock.



B1020-004442 **NEW**

SA01001L

Lightweight extruded aluminum MS18 profile, with 4 grooves

Finish: silver anodised

Weight: 1.538 kg /m

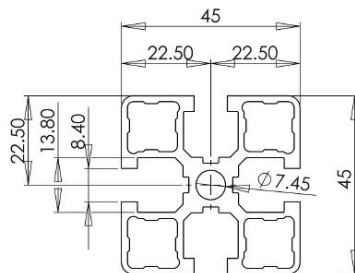
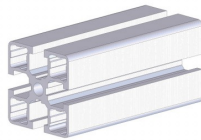
Cut section: 588.913 mm²

Flexural moment of inertia: I_x 11.027 cm⁴

Flexural moment of inertia: I_y 11.027 cm⁴

Torsional moment of inertia: I_t 2 cm⁴

Delivery condition: In stock.



Profiles series 90

B1020-004452 NEW

SA01004L

Lightweight extruded aluminum MS20 profile, with 4 grooves

Finish: silver anodised

Weight: 3.603 kg /m

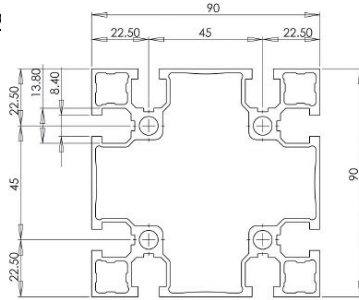
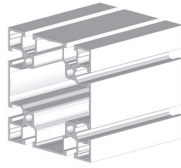
Cut section: 1334.611 mm²

Flexural moment of inertia: I_x 129.749 cm⁴

Flexural moment of inertia: I_y 129.749 cm⁴

Torsional moment of inertia: I_t 2 cm⁴

Delivery condition: In stock.



B1020-004450 NEW

SA01004

Extruded aluminum MS10 profile, with 8 grooves

Finish: silver anodised

Weight: 5.960 kg /m

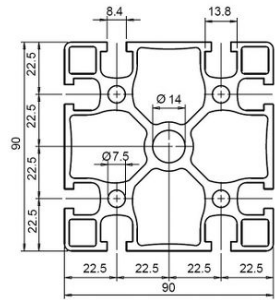
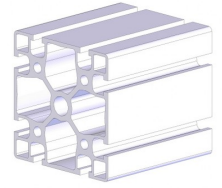
Cut section: 2214.104 mm²

Flexural moment of inertia: I_x 171.049 cm⁴

Flexural moment of inertia: I_y 171.049 cm⁴

Torsional moment of inertia: I_t 3 cm⁴

Delivery condition: Available upon request. Delivery to be agreed upon.



Profiles series 18 and 32

B1020-004478 NEW

SA02004

Extruded aluminum MS04 profile, with 3 grooves

Finish: silver anodised

Weight: 1.493 kg /m

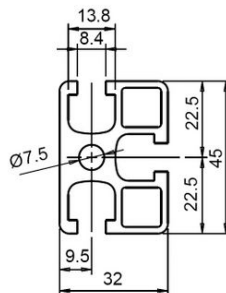
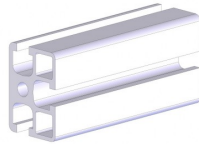
Cut section: 570.70 mm²

Flexural moment of inertia: I_x 9.363 cm⁴

Flexural moment of inertia: I_y 7.463 cm⁴

Torsional moment of inertia: I_t 1 cm⁴

Delivery condition: In stock.



B1020-004476 NEW

SA02003

Extruded aluminum MS03 profile, with 2 grooves

Finish: silver anodised

Weight: 1.238 kg /m

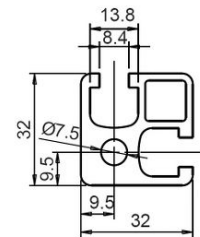
Cut section: 471.93 mm²

Flexural moment of inertia: I_x 5.436 cm⁴

Flexural moment of inertia: I_y 5.436 cm⁴

Torsional moment of inertia: I_t 1 cm⁴

Delivery condition: In stock.



Profiles series 18 and 32

B1020-004474 NEW

SA02002

Extruded aluminum MS02 profile,
with 2 grooves

Finish: silver anodised

Weight: 1.031 kg /m

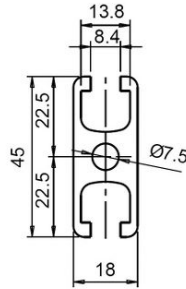
Cut section: 391.633 mm²

Flexural moment of inertia: I_x 5.050
cm⁴

Flexural moment of inertia: I_y 1.631
cm⁴

Torsional moment of inertia: I_t 6
cm⁴

Delivery condition: In stock.



B1020-004471 NEW

SA02001

Extruded aluminum MS01 profile

Finish: silver anodised

Weight: 0.903 kg /m

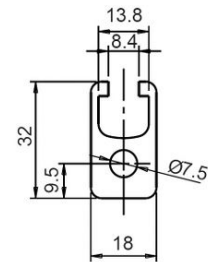
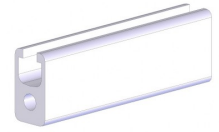
Cut section: 341.158 mm²

Flexural moment of inertia: I_x 3.001
cm⁴

Flexural moment of inertia: I_y 1.243
cm⁴

Torsional moment of inertia: I_t 4
cm⁴

Delivery condition: In stock



Profiles series 60

B1020-004491 NEW

SA02009L

Lightweight semi-closed extruded 60
mm square aluminum profile

Finish: silver anodised

Weight: 1.853 kg /m

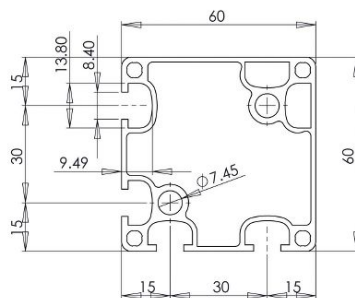
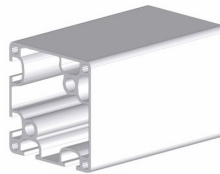
Cut section: 686.60 mm²

Flexural moment of inertia: I_x 31.647
cm⁴

Flexural moment of inertia: I_y 31.647
cm⁴

Torsional moment of inertia: I_t 6;
cm⁴

Delivery condition: In stock.



B1020-004457 NEW

SA01005L

Lightweight extruded aluminum MS27
profile

Finish: silver anodised

Weight: kg /m

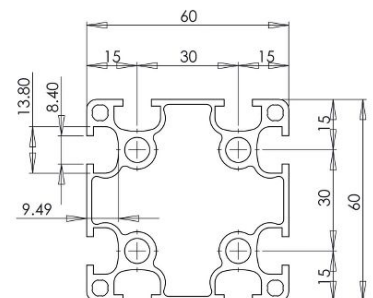
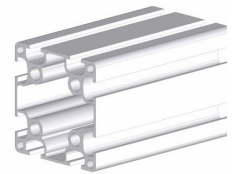
Cut section: 793.535 mm²

Flexural moment of inertia: I_x 33.175
cm⁴

Flexural moment of inertia: I_y 33.175
cm⁴

Torsional moment of inertia: I_t
66.337 cm⁴

Delivery condition: In stock.



Profiles series 60

B1020-004454 **NEW**

SA01005

Extruded aluminum MS11 profile,
with 8 slots

Finish: silver anodised

Weight: 2.966 kg /m

Cut section: 967.901 mm²

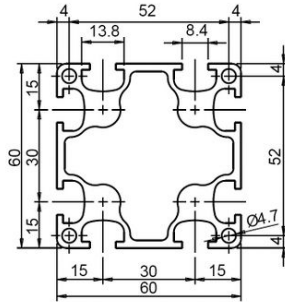
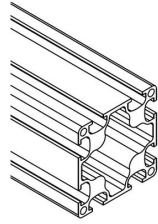
Flexural moment of inertia: I_x 37.160
cm⁴

Flexural moment of inertia: I_y 37.160
cm⁴

Torsional moment of inertia: I_t 7
cm⁴

OUT OF PRODUCTION FROM
APRILE 2013

Delivery condition: Available upc
request. Delivery to be agreed u



Groove profiles

B1020-004514 **NEW**

SA80004

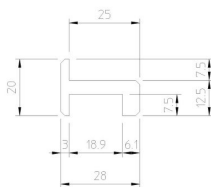
Profile MS16 for sliding doors
consisting of Milpass tubular line
profiles combined to structural line
profiles (Q.25 A40701, A40801 - Q.30
A40706, A40806)

Material: Polizene 1000

Colour: black

Delivery condition: 2 m bar

Available upon request. Delivery to be
agreed upon.



B1020-004513 **NEW**

SA80003

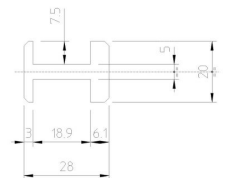
Profile MS15 with "H" section for
sliding doors, to be made with profile
SA02001

Material: Polizene 1000

Colour: black

Delivery condition: 2 m bar

Available upon request. Delivery to be
agreed upon.



Groove profiles

B1020-004512 **NEW**

SA80002

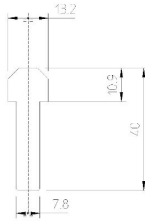
Mushroom-shaped profile MS14 with H=40mm, for groove

Material: Polizene 1000

Colour: black

Delivery condition: 2 m bar

Available upon request. Delivery to be agreed upon.



B1020-004511 **NEW**

SA80001

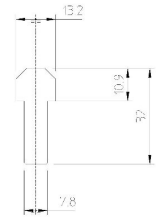
08Mushroom-shaped profile MS13 with H=32mm, for groove

Material: Polizene 1000

Colour: black

Delivery condition: 2 m bar

Available upon request. Delivery to be agreed upon.



SEALS

All seals are made of BLACK synthetic rubber.

They can be used on all profiles.

The technical characteristics and sizes of products are indicative as they may vary and be subject to functional changes based on enhancements and production issues, which are the sole responsibility of Lpm Group.

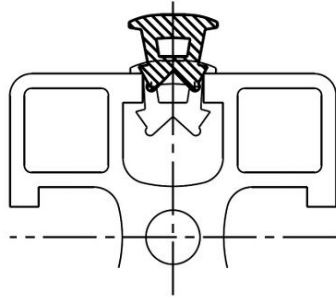
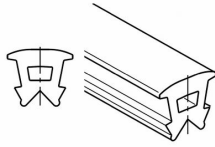
Supply condition: **In reels**

Groove covering seals

B1050-000226 **NEW**

SF05000

Groove cover profile 8x14.8, semisoft
 Material: rubber 70 Shore
 Colour: Grey
 Delivery condition: 100 m reel
 Note: it CANNOT be used on profile SA01005

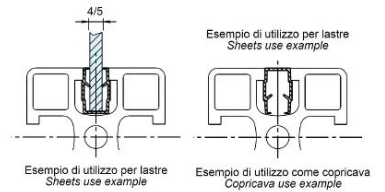
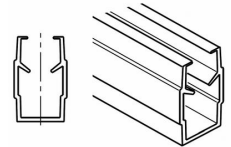


Profilo copricava morbido
Sheets use example

B1050-002289 **NEW**

SF05001

Groove cover profile 8x14.8, stiff
 Material: extruded PVC
 Colour: RAL 7035
 Delivery condition: 4,000mm bar
 Note: it CANNOT be used on profile SA01005

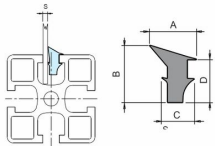


Profile seals

B1050-002290 **NEW**

SF05002

Seal to lock the material inside groove
 Material: synthetic rubber
 Colour: black
 Delivery condition: 200 m reel for SF05003 /SF05004, 300 mt reel for SF05005
 Note: it CANNOT be used on profile SA01005



Code	S	A	B	C	D
SF05002	1,5	12,32	12,5	8,9	9,5
SF05003	3	10,32	12,5	7,9	9,5
SF05004	4	9,32	12,5	5,9	9,5
SF05005	5	8,32	12,5	4,9	9,5

Special profile seals

B1050-000225 NEW **F50836**

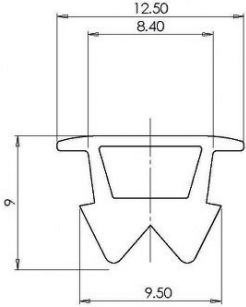
Seal for "MILPASS" profile type MP97 /MP98

Material: PVC

Colour: Cristal

Weight m /l: 0,050 Kg

Pack: reel of 200 Meter



SHEETS

The "Sheets" section offers a summary of the products in Lpm Group system.

The nature and thickness of the material, if between 1.2 mm and 2 -4-5-6-8 mm, do not represent a restraint in its use. For greater thickness specific solutions are necessary, which are provided by **Lpm Group** technical staff.

For each material category you will find all the main technical specifications to help you in choosing the product best suited to you.

Lpm Group provides the best choice on the market and most of all a direct and continuous co-operation with the electrical leading world producers of the materials listed in each section.

All types listed are in stock in quantities depending on **Lpm Group** requirements.

It should be remembered that plastic materials comply with the manufacturer's specific technical data sheets, and that improper use may cause changes in technical - mechanical features, for which neither **Lpm Group** or the manufacturer shall be liable.

In order to improve durability over time and use by the final customer **Lpm Group** applies labels in five different languages on each product / safety guard.

=====
Pulire con acqua e sapone
Nettoyer avec eau et savon
Wash with water and soap
mit Wasser und Seife sauber machen
Limpiar con agua y jabon
=====

Technical characteristics Methacrylate

Composition:
methyl methacrylate polymer
Supply condition:
2000x3000 mm sheets
transparent or translucent
Thickness:
4/5/6/8/10/12/15/20 mm
Colour: colourless or smoky
grey
Flash point:
> 250 °C
Softening temperature:
> 110 °C
Density: 1190 kg/m³

Technical characteristics - polycarbonate

Composition: polyester resin,
known commercially
as LEXAN® or MAKROLON®
Supply condition: transparent
2000x3000 mm sheets
Thickness: 3/4/5/6/8/10/12 mm
Colour: colourless
Inflammability: self-
extinguishing Shatterproof
Transparent material among the
most resistant on the market,
highly shock-resistant, high
surface hardness, heat resistant
up to 135° C (to 145°C if
fiberglass reinforced).
Odourless and tasteless,
physiologically harmless and
resistant to mineral and organic
acids, grease, oil and
hydrocarbons; particularly
suitable as a protective shield in
any industrial sector.

Technical characteristics - Foamed PVC

Composition: polyvinyl chloride
Supply condition: sheets in
varying sizes
Thickness: 5 mm (grey-white
and coloured) 10 mm (white)
Colour: white or coloured
Inflammability: self-
extinguishing
Highly shock-resistant
Density: 0.75 kg/m³

Aluminum Composite

B1020-001645 **NEW**

D00504

Aluminium composite Thickness 4mm

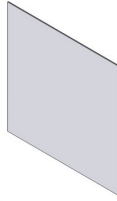
Color: White / White

Format: 3050x1500mm

Status: Available in warehouse

Notes: The material is made from two sheets of Aluminium Sp. 0,2mm with inside the black polyethylene. The whole is glued. very durable material impact in normal daily use.

You can paint it with excellent aesthetic results.



B1020-001651 **NEW**

D00404

Aluminium composite Thickness 4mm

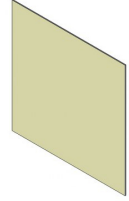
Color: Beige RAL 1013

Format: 3050x1500mm

Status: Available in warehouse

Notes: The material is made from two sheets of Aluminium Sp. 0,2mm with inside the black polyethylene. The whole is glued. very durable material impact in normal daily use.

You can paint it with excellent aesthetic results.



B1020-001662 **NEW**

D00304

Aluminium composite Thickness 4mm

Color: Grey / Grey (RAL 9006 similar)

Format: 3050x1500mm

Status: Available in warehouse

Notes: The material is made from two sheets of Aluminium Sp. 0,2mm with inside the black polyethylene. The whole is glued. very durable material impact in normal daily use.

You can paint it with excellent aesthetic results.



■ Soundproofing

B1020-001653 **NEW**

D70104

Soundproofing 2 Kg /Mq, thickness
12mm

Format: 1000x1200mm

Delivery note: Available in warehouse.
Delivery time to be agreed.

Note: One edge of material is covered
with plastic surface easily washable.



CAPS, CASINGS AND CLOSING PROFILES

All components are made of **Polyamide “6”** with fiberglass reinforced material.

Structure: partially crystalline thermoplastic material

Colour: Black.

The technical characteristics and sizes of products are indicative as they may vary and be subject to functional changes based on enhancements and production issues, which are the sole responsibility of Lpm Group.

Mechanical characteristics

High fatigue strength, wear-resistant, highly shock-resistant.

Thermal characteristics

VICAT (softening point) 215°C

Resistant to

Hydrocarbons, petrol, oil and grease, alkaline solutions in general. Good resistance to ageing.

Installation

simply press to fit into the profiles, no glue required.

Caps for profiles series 45

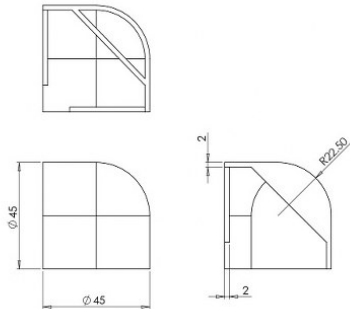
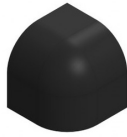
B1050-002314 NEW

SL01014

Casing for rounded profile R45 code SA02010 (new 0000006985)

Color: black

Delivery condition: Available only on demand



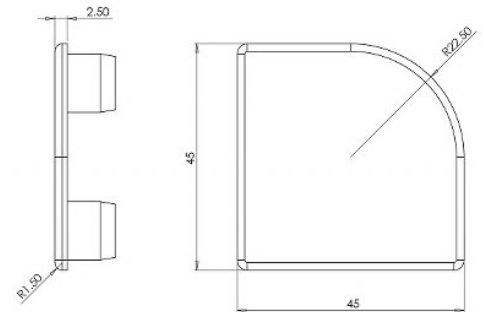
B1050-002316 NEW

SL01015

Casing for multiple angle junction 45x45x45

Color: black

Delivery condition: Available only on demand



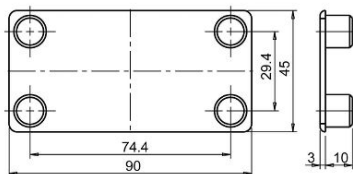
B1050-002306 NEW

SL01007B

Casing for profile closure 45x90

Color: grey

Delivery condition: in stock



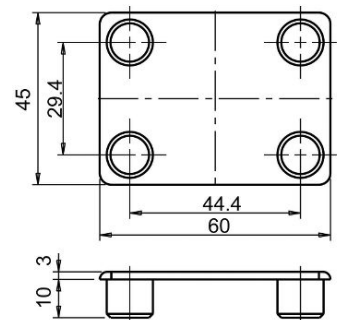
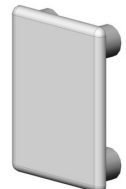
B1050-002304 NEW

SL01006B

Casing for profile closure 45x60

Color: Grey

Delivery condition: in stock



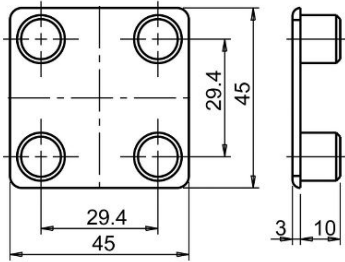
Caps for profiles series 45

B1050-002302 **NEW** **SL01005B**

Casing for profile closure 45x45

Color: grey

Delivery condition: in stock



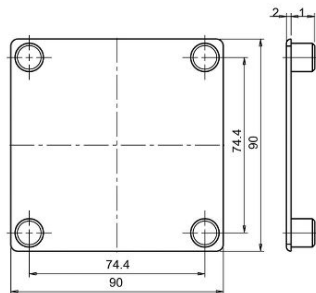
Caps for profiles series 90

B1050-002309 **NEW** **SL01009B**

Casing for profile closure 90x90

Color: grey

Delivery condition: in stock

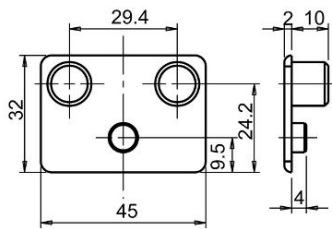


Caps for profiles series 18 and 32

B1050-002300 NEW

SL01004B

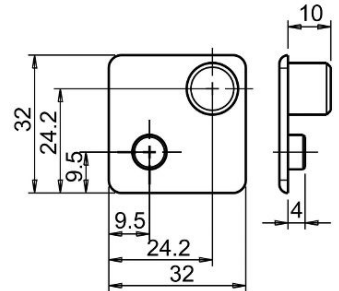
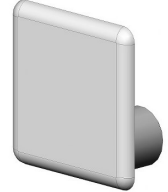
Casing for profile closure 32x45
color: grey
Delivery condition: in stock



B1050-002298 NEW

SL01003B

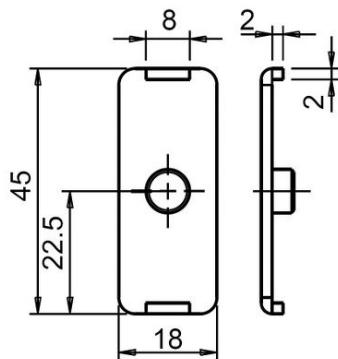
Casing for profile closure 32x32
Color: grey
Delivery condition: in stock



B1050-002296 NEW

SL01002B

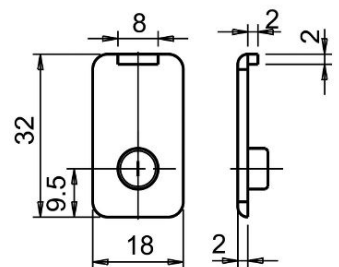
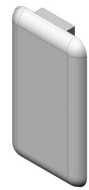
Casing for profile closure 18x45
Color: grey
Delivery condition: in stock



B1050-002294 NEW

SL01001B

Casing for profile closure 18x32
Color: grey
Delivery condition: in stock



Caps for profiles series 60

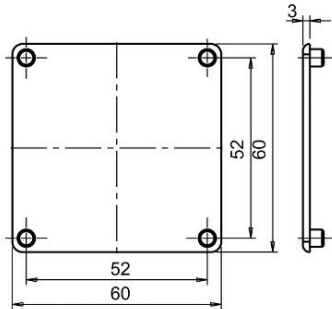
B1050-002307 NEW

SL01008B

Casing for profile closure 60x60

Color: grey

Delivery condition: in stock



Hole caps

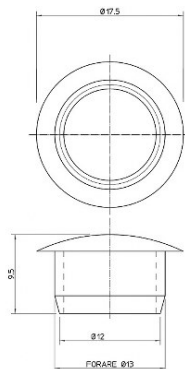
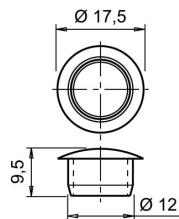
B1050-000176 NEW

SL01011

Hole cap diameter 13mm

Color: grey

Delivery condition: in stock

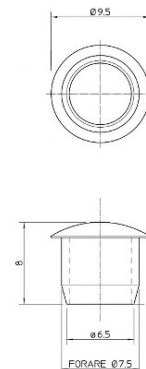
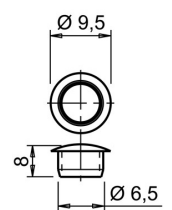

B1050-002310 NEW

SL01010

Cap for hole diameter 7.4 mm

Color: grey

Delivery condition: in stock



ARTICULATED FEET

Material and characteristics

The support base is made of reinforced polyamide.

The threaded rod is made of Galvanised Iron.

The vibration-dampening version is fitted with an oil resistant rubber base (hardness 70 Shore).

The models used may be anchored or not anchored to the ground.

Support bases - Anchor brackets

The base is made of RAL9007 painted Fe

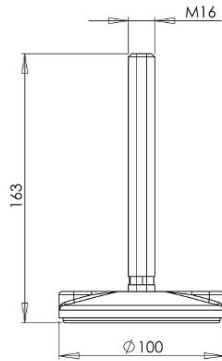
The technical characteristics and sizes of products are indicative as they may vary and be subject to functional changes based on enhancements and production issues, which are the sole responsibility of Lpm Group.

Feet

B1050-001238 NEW

F21816

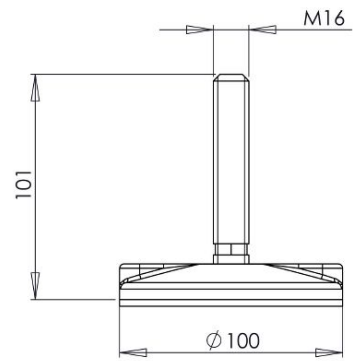
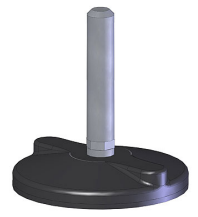
Articulated foot with damping pad
 Dimensions: diameter 100mm, height 163mm
 Capacity: 18,000 N
 Delivery condition: in stock



0000012162 NEW

F21814

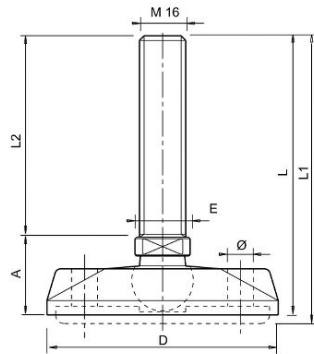
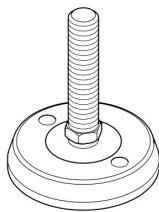
Articulated foot with damping pad
 Dimensions: diameter 100mm, height 105mm
 Capacity: 12,000 N
 Delivery condition: in stock



B1050-001235 NEW

F21813

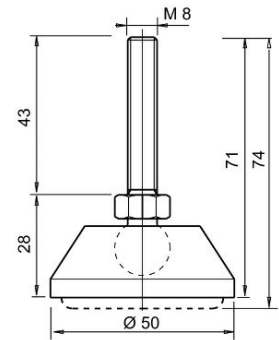
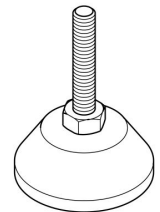
Articulated foot with damping pad
 Dimensions: diameter 80mm, height 100mm
 Capacity: 15,000 N
 Delivery condition: in stock



B1050-001234 NEW

F21812

Articulated foot with damping pad
 Dimensions: diameter 50mm, height 74mm
 Capacity: 12,000 N
 Delivery condition: in stock



Code	L	L1	L2	A	E	D	Ø
F21813	97	100	70	27	13	80	9
F21814	102	105	55	47	20	100	12.5
F21816	160	163	115	45	24	100	

SUPPORTS

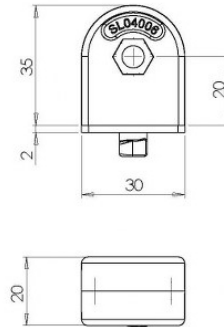
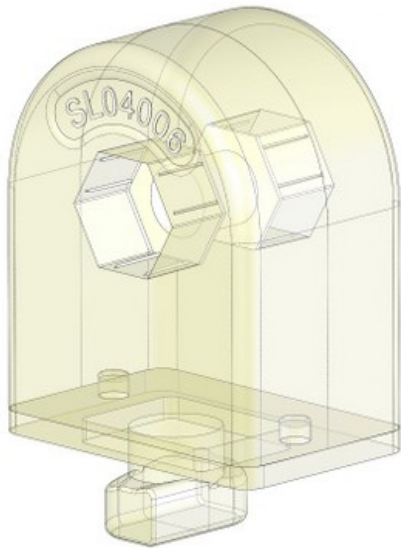
Material and characteristics

All components are made of **Polyamide “6”** with fiberglass reinforced material.

The technical characteristics and sizes of products are indicative as they may vary and be subject to functional changes based on enhancements and production issues, which are the sole responsibility of Lpm Group.

Support for fixed removable frame H=35mm

B1050-002335 NEW SL04006



Material: Amorphous polyamide

Colour: Trasparent

Weight: Kg

Delivery condition: in stock

Note: mounting material thickness 4-5-6mm and relative components. For other thickness solutions are available different accessories.

Parts



Cod. F10500
B1080-001159 **NEW**
VTCEI M6x25
UNI7380 head down



Cod. F11956
B1080-000814 **NEW**
Stainless steel hex.
nut M6



Cod. F12754
B1080-001301 **NEW**
Washer to make
captive screw
SL04006



Cod. F12755
B1080-001303 **NEW**
Neutral washer Di
6,5mm De18mm
Sp.4mm

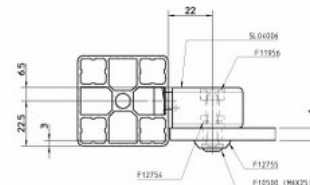
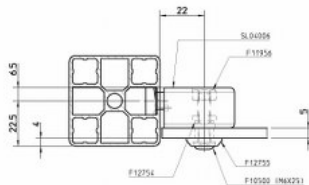
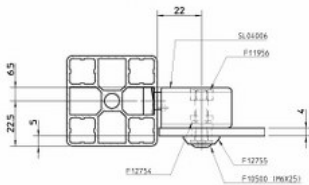


Cod. F12753
B1080-001299 **NEW**
Washer to make
captive screw F10386

Assembly example

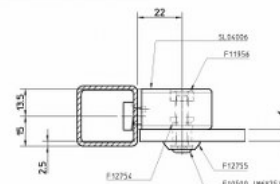
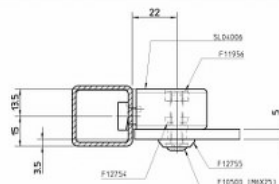
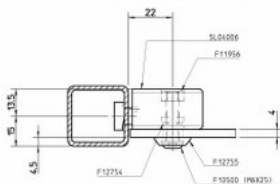
MONTAGGIO SU STRUTTURALE CHIUSO X LASTRE 4-5-6
(RIMUOVERE DISTANZIALE SU STRUTTURALE APERTO)

COD. MILPASS
2SL0400604



MONTAGGIO SU TUBOLARE X LASTRE 4-5-6.
Sono ritenuti montaggi speciali e la soluzione da utilizzare solo quando
si hanno profili tubolari abbinati a soluzioni strutturali

COD. MILPASS
2SL0400604



■ Detectable support for fixed removable frame H=35mm

B1050-002336 **NEW** **SL04006B**

Material: Amorphous polyamide

Colour: Light Blue

Weight: Kg

Delivery condition: Available on demand. Lead time 20 days to order. Order quantity are defined with commercial department of Milpass

Note: mounting material thickness 4-5-6mm and relative components. For other thickness solutions are available different accessories.



Parts



Cod. **F10500**
B1080-001159 **NEW**
VTCEI M6x25
UNI7380 head down



Cod. **F11956**
B1080-000814 **NEW**
Stainless steel hex.
nut M6



Cod. **F12754**
B1080-001301 **NEW**
Washer to make
captive screw
SL04006



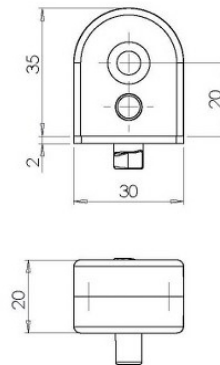
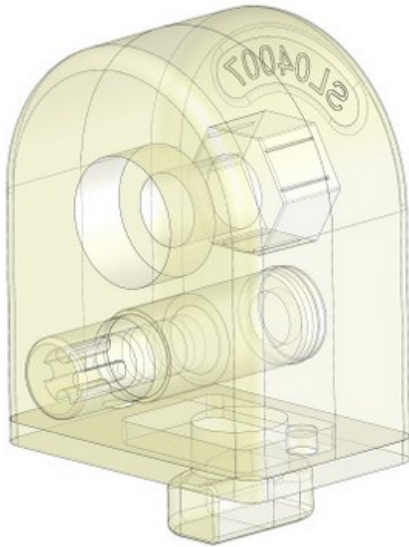
Cod. **F12755B**
Detectable washer
Di 6,5mm De18mm
Sp.4mm



Cod. **F12753B**
B1080-001300 **NEW**
Detectable washer to
make captive screw
F10386

Support for fixed removable frame H=35mm front ejector

B1050-002337 NEW SL04007



Material: Amorphous polyamide
Colour: Trasparent
Weight: Kg
Delivery condition: in stock
Note: mounting material thickness 4-5-6mm and relative components

Parts

- 

Cod. **F10500**
 B1080-001159 **NEW**
 VTCEI M6x25
 UNI7380 head down
- 

Cod. **F11956**
 B1080-000814 **NEW**
 Stainless steel hex.
 nut M6
- 

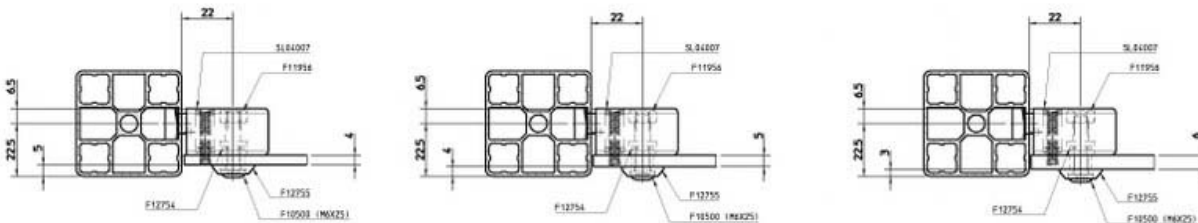
Cod. **F12754**
 B1080-001301 **NEW**
 Washer to make
 captive screw
 SL04006
- 

Cod. **F12755**
 B1080-001303 **NEW**
 Neutral washer Di
 6,5mm De18mm
 Sp.4mm

Assembly example

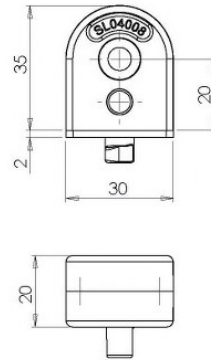
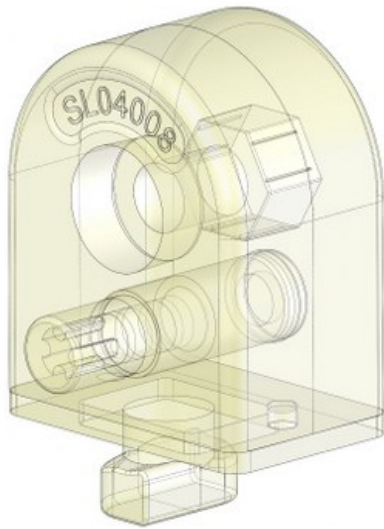
MONTAGGIO SU STRUTTURALE CHIUSO X LASTRE 4-5-6
 (RIMUOVERE DISTANZIALE SU STRUTTURALE APERTO)

COD. MILPASS
 2SL0400703



Support for fixed removable frame H=35mm rear ejector

B1050-002339 NEW SL04008



Material: Amorphous polyamide
Colour: Trasparent
Weight: Kg
Delivery condition: in stock
Note: mounting material thickness 4-5-6mm and relative components

Parts



Cod. **F10500**
 B1080-001159 **NEW**
 VTCEI M6x25
 UNI7380 head down



Cod. **F11956**
 B1080-000814 **NEW**
 Stainless steel hex.
 nut M6



Cod. **F12754**
 B1080-001301 **NEW**
 Washer to make
 captive screw
 SL04006

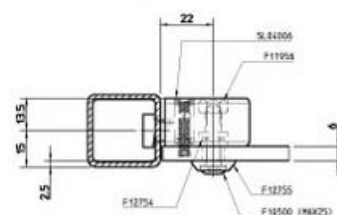
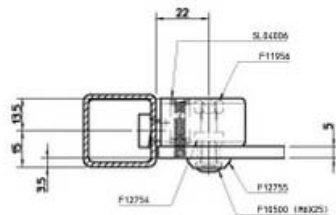
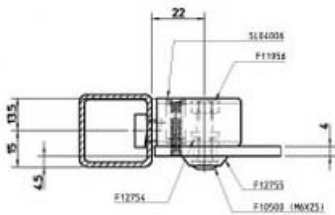


Cod. **F12755**
 B1080-001303 **NEW**
 Neutral washer Di
 6,5mm De18mm
 Sp.4mm

Assembly example

MONTAGGIO SU TUBOLARE X LASTRE 4-5-6.
 Sono ritenuti montaggi speciali e la soluzione da utilizzare solo quando
 si hanno profili tubolari abbinati a soluzioni strutturali

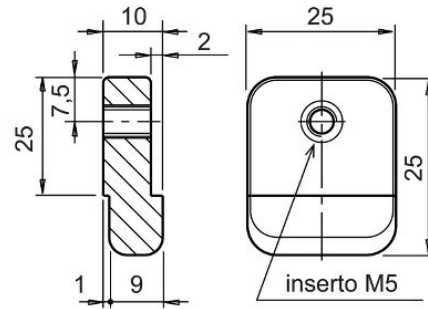
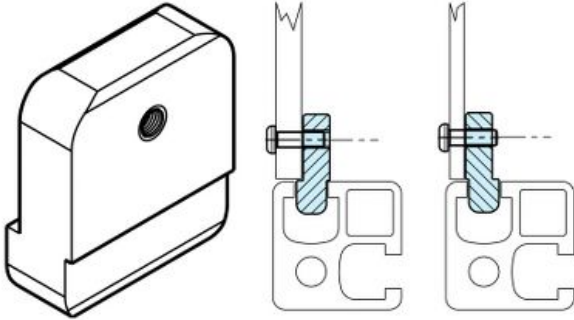
**COD. MILPASS
 2SL0400804**



Support for fixed removable frame

B1050-002329 **NEW**

SL04001



Material: Polyamide 6

Colour: Black

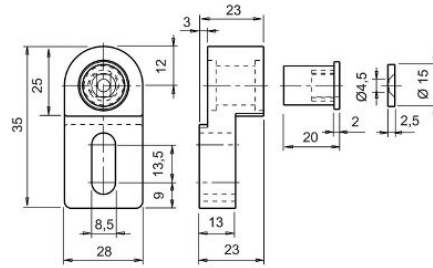
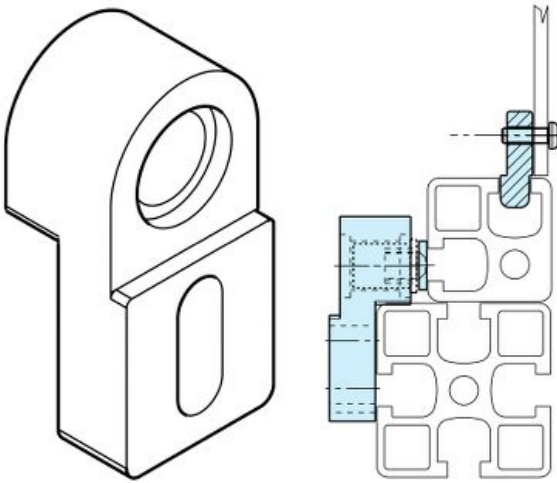
Delivery condition: in stock

Note: Steel nut embedded inside the plastic material

Magnet support

B1050-002330 **NEW**

SL04002



Material: polyamide 6

Colour: black

Magnetic pull: 50N

Note: supplied complete with magnet and striker

Magnetic door stop

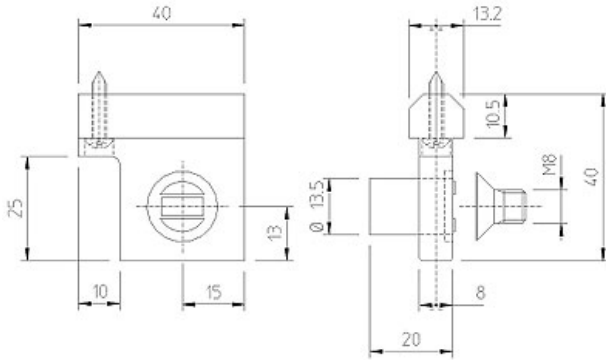
B1050-002333 **NEW****SL04004**

Material: Polizene 1000

Colour: Black

Delivery condition: available upon request. Delivery time to be checked.

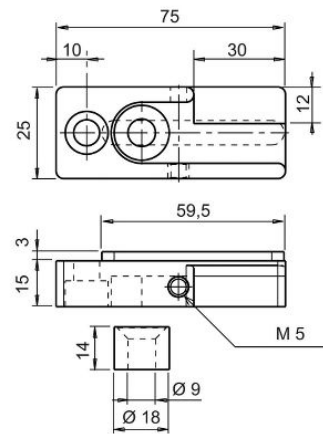
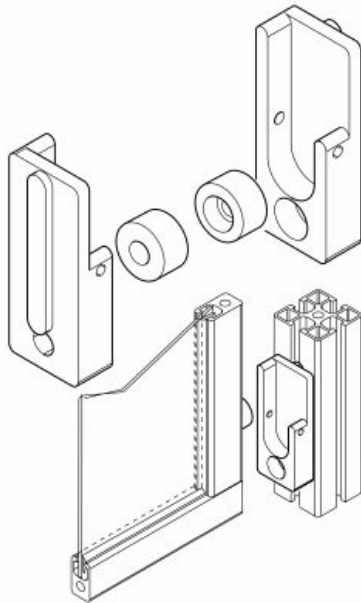
Note: it is supplied complete with the necessary assembling accessories.



■ Set of quick fasteners for fixed removable panels with key

B1050-002331 **NEW**

SL04003



Set of quick fasteners for Fixed removable (panel) solution

Material: polyamide 6

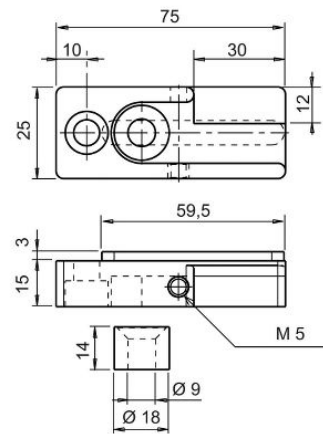
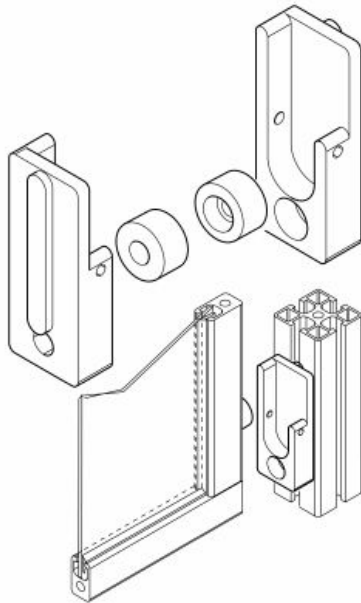
Colour: black

Delivery condition: available upon request. Check material availability

Single quick fastener for fixed removable panels with key

B1050-002332 **NEW**

SL04003A



Single quick fastener for Fixed removable (panel) solution
 Material: Aluminium fusion
 Delivery condition: available upon request. Check material availability

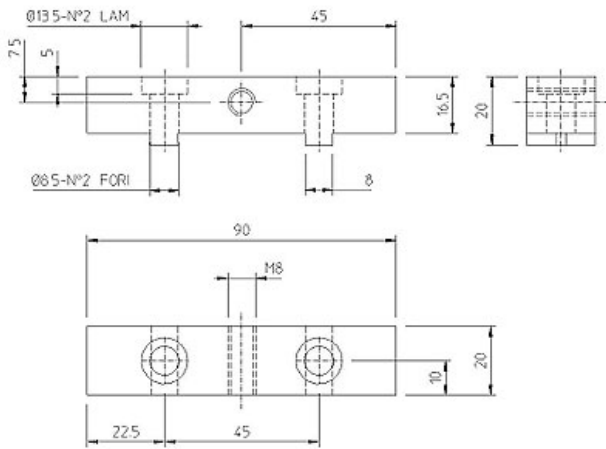
Tensioner block 90x20x20

B1010-144834 **NEW**

SN07001

Material: silver anodised aluminum

Delivery condition: available upon request. Check material availability



HANDLES

The "Handles" section includes all the components currently manufactured by **Lpm Group** and available in stock.

All components in this section are in RAL 7039 colour like all the polyamide accessories belonging to **Lpm Group** system.

The Polyamide Polymer "6" is reinforced with fiberglass and contains a percentage of elastomer which improves its resistance to deformation, without making it elastic, and avoiding the resulting brittle fracture.

The technical characteristics and sizes of products are indicative as they may vary and be subject to functional changes based on enhancements and production issues, which are the sole responsibility of Lpm Group.

Product technical characteristics

Structure: partially crystalline thermoplastic material

Reinforcement material: fiberglass

Colour: RAL 7039

Mechanical characteristics:

- Resistance to wear
- Highly shock-resistant
- Good resistance to ageing

Electrical characteristics: good resistance to contact current

Thermal characteristics: VICAT (softening point) 215°C

Resistant to:

- Hydrocarbons
- Petrol
- Oil and grease
- alkaline solutions in general

Food Compatibility: To be verified depending on applications

Supply conditions: In a package only where indicated on the specific component

Big handle kit Diam. 25mm

B1050-002387 **NEW** **F31112**



Bar handle with D25 tube and grey color

Colour: RAL 7001

Status: Available in warehouse

Note: The accessories are used with A42126 and A42126A profile. Aluminium tube length is made to order. For lengths above 600mm, it is recommended to use a third stiffening element.

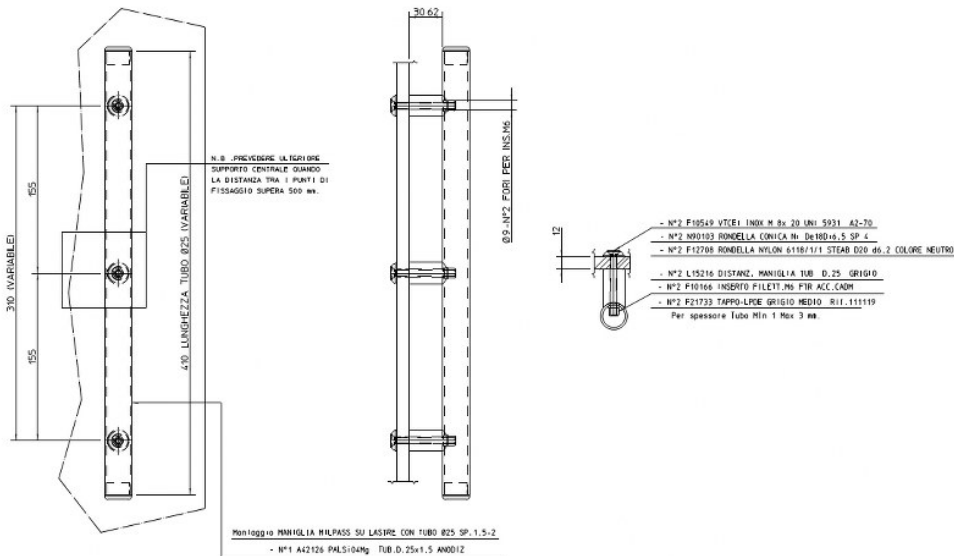
Inside the kit is NOT expected the profile.

Parts

- | | | | | |
|--|--|---|---|---|
|  <p>Cod. L15216
B1050-000157 NEW
Grey bar handle
D.25mm spacer</p> |  <p>Cod. F21733
Pipe cover 25mm -
Height 3mm</p> |  <p>Cod. A42126
B1020-003591 NEW
Aluminium Pipe
D25,1,5mm silver
anodized</p> |  <p>Cod. A42126A
Aluminium pipe
D25x1,5mm elox
anodized</p> |  <p>Cod. F10166
B1080-001067 NEW
M6 threaded insert</p> |
|  <p>Cod. N90103
B1080-001528 NEW
CONICAL WASHER
Ni De18Di6,5 SP.4</p> |  <p>Cod. F12708
B1080-001295 NEW
NYLON WASHER
6118/1/1 STEAB D20
d6,2 NEUTRAL
COLOR</p> |  <p>Cod. M060301
STAINLESS
STEEL M6X60 UNI
5933 A2-70</p> | | |

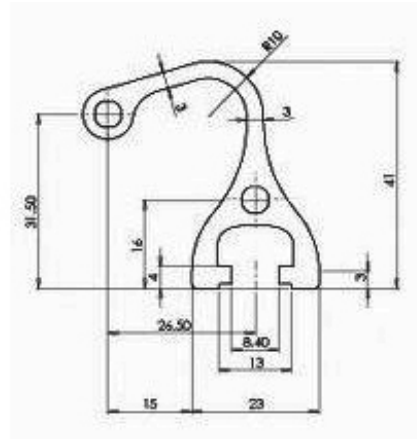
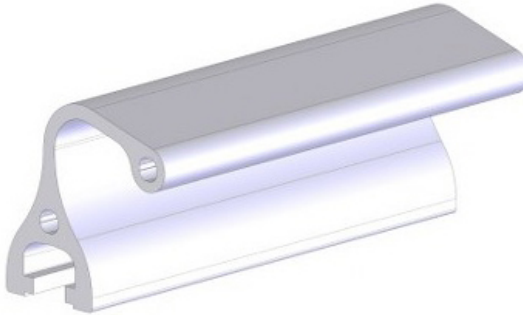
Assembly example

Montaggio SU SPORTELLI A LASTRA



Plastic sheet handle

A40778



Aluminum profile MP98 - Aluminium profile used by handle
 Weight: 1.053 Kg
 Finished: anodization
 Delivery condition: In stock

Parts

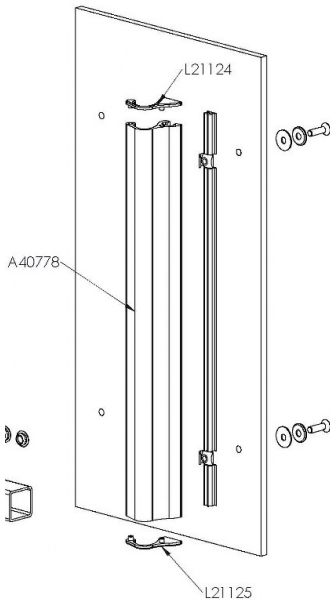


Cod. L21124
 B1050-001987 **NEW**
 Right cover cap for
 MP98 profile



Cod. L21125
 B1050-001988 **NEW**
 Left cover cap for
 MP98 profile

Assembly example



HINGES

Material and characteristics

The hinges are made of aluminium.

Alloy designation:

Al Mg 0.5 Si 0.4 Fe UNI 9006/1 alloy

Number : **6060**

Surface treatment : **Anodic anodising**

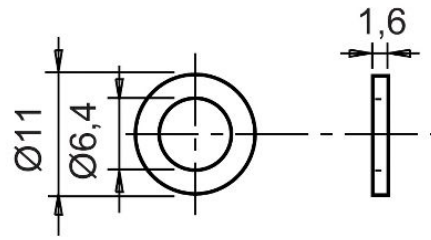
The technical characteristics and sizes of products are indicative as they may vary and be subject to functional changes based on enhancements and production issues, which are the sole responsibility of Lpm Group.

For more information on alloys and treatments see: **Aluminium Profiles** section.

■ Pin washer SN02001

B1080-001609 **NEW**

SF02002



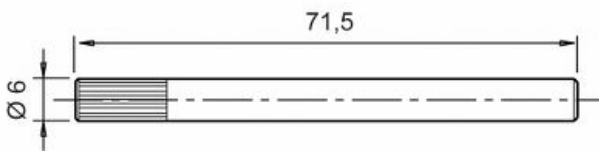
Material: brass

Delivery condition: in stock

■ Hinge pin D.6 x 71.5 mm

B1080-000051 **NEW** **SN02001**

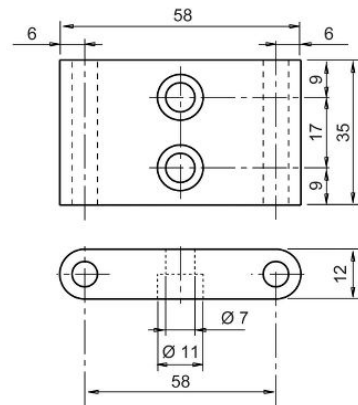
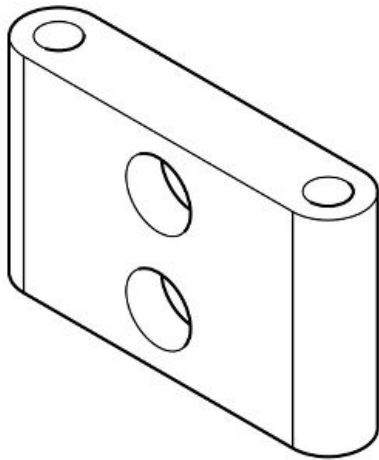
Hinge pin Diameter 6 mm
Length: 71.5 mm
Material: galvanised steel
Delivery condition: in stock



Hinge with double fulcrum 58x35mm

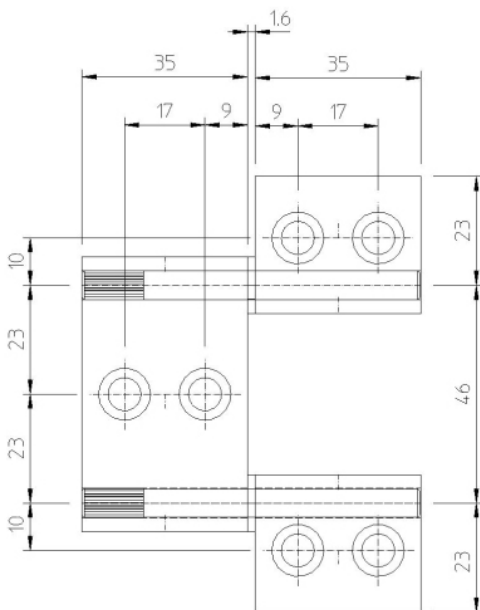
B1050-002346 **NEW**

SN01005



Material: anodised aluminum
Delivery condition: in stock

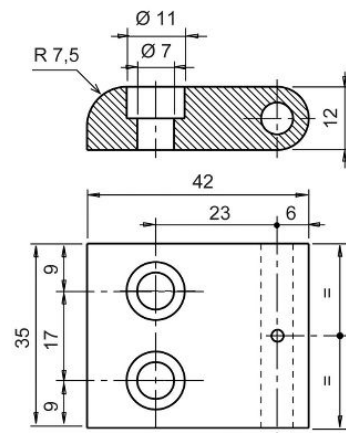
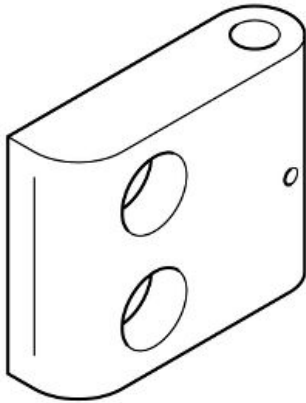
Assembly example



■ Semi-hinge 42x35 mm, with pin hole

B1050-002345 **NEW**

SN01004



Semi-hinge, 42x35mm, with pin hole

Material: anodised aluminum

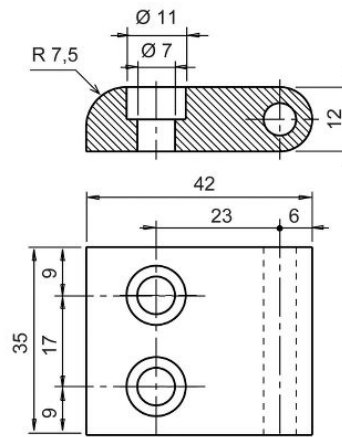
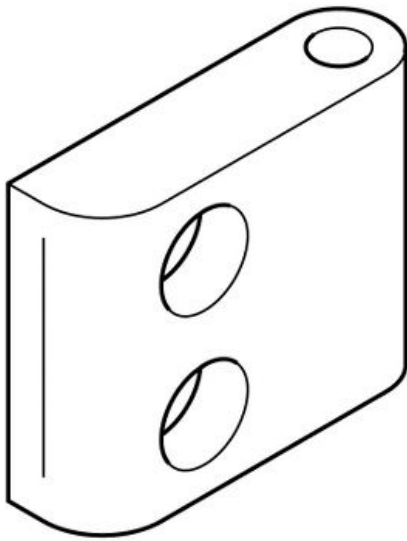
Delivery condition: in stock

Note: this hinge must be used in case of microswitch with pin

Semi-hinge 42x35 mm

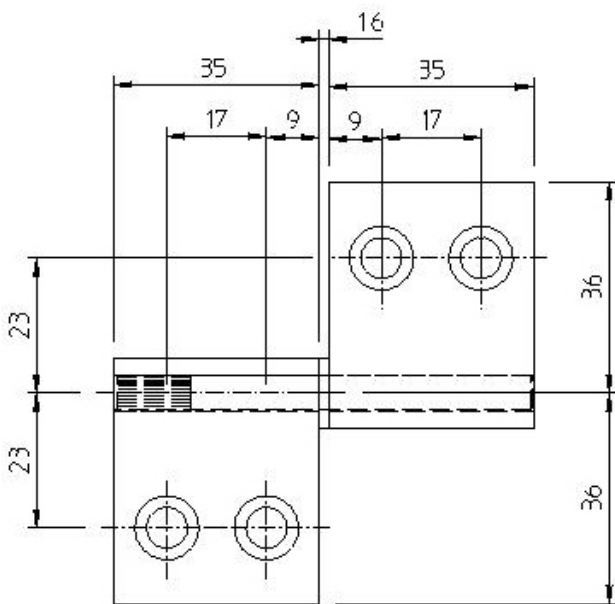
B1050-000187 **NEW**

SN01002



Semi-hinge 42x35mm
Material: anodised aluminum
Delivery condition: in stock

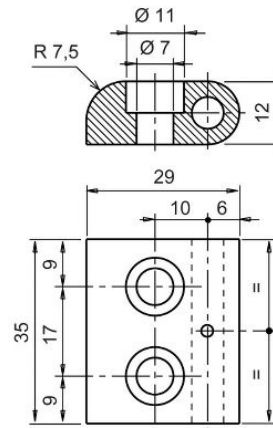
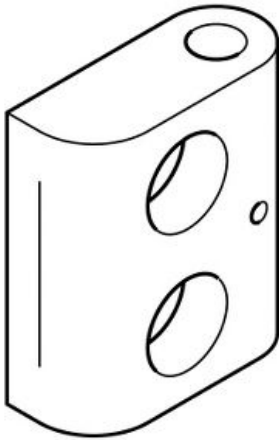
Assembly example



■ Semi-hinge with pin hole

0000012539 **NEW**

SN01003



Semi-hinge, 29x35mm, with pin hole

Material: anodised aluminum

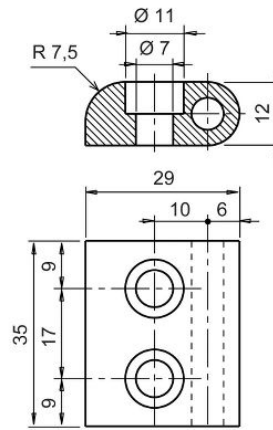
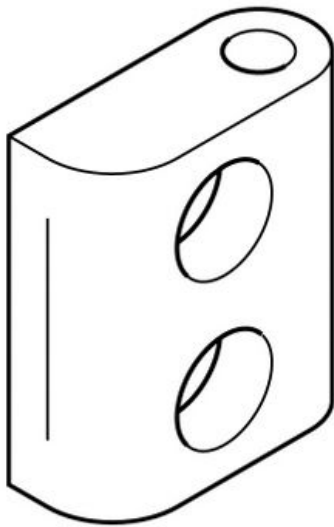
Delivery condition: in stock

Note: this hinge must be used in case of microswitch with pin

Aluminum semi-hinge

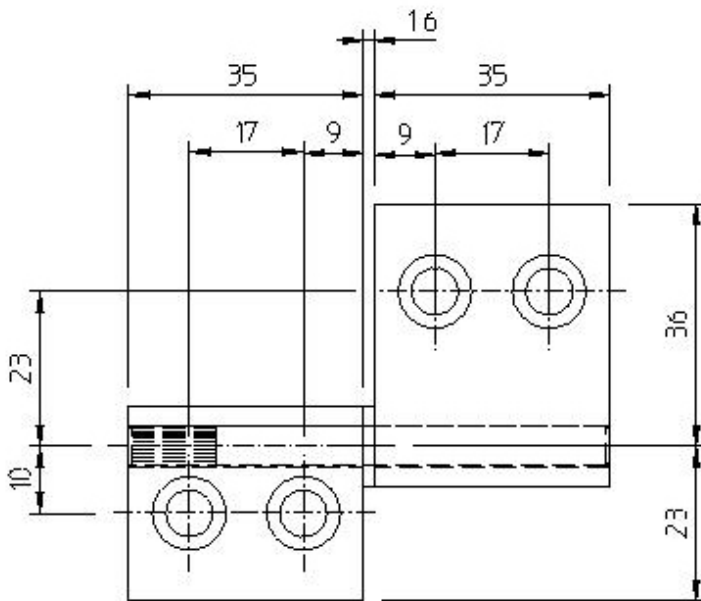
B1050-002343 NEW

SN01001



Semi-hinge, 29x35 mm
 Material: anodised aluminum
 Delivery condition: in stock

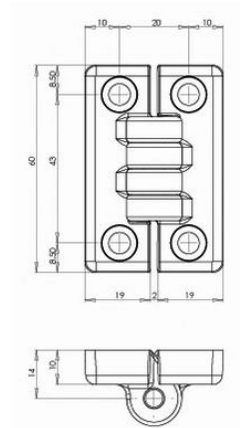
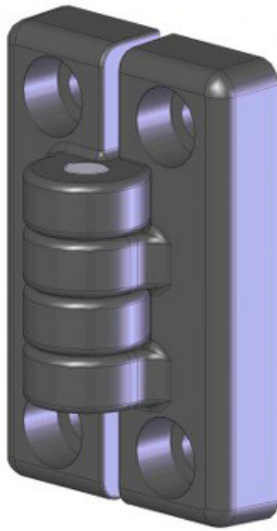
Assembly example



Polyamide door hinge 60x40x22mm

B1050-000873 NEW

F31173A



Polyamide hinge assembled

Color: RAL 7039

Weight: 0,038 Kg

Deliverycondition: box with 10 pieces

Parts



Cod. **L19180A**
B1050-001971 **NEW**
Polyamide RAL7039
semi-hinge, 60x19x10



Cod. **L19180A**
B1050-001971 **NEW**
Polyamide RAL7039
semi-hinge, 60x19x10



Cod. **L19181A**
B1010-144730 **NEW**
Semi-hinge spacer for
L19180A thickness
4mm



Cod. **N30158**
B1080-001517 **NEW**
Stainless steel pin
D6x30

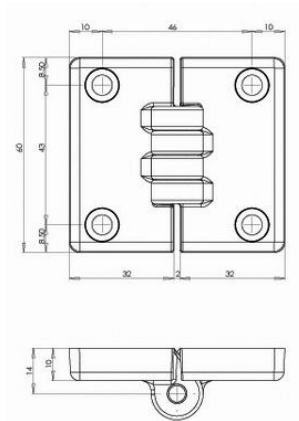
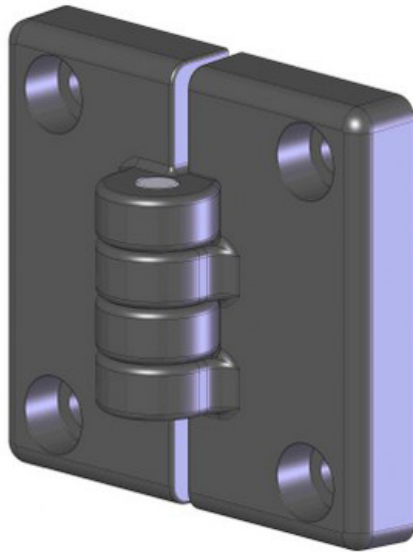


Cod. **F10534**
B1080-000443 **NEW**
Stainless steel socket
head cap screw M6x16

Polyamide hinge 60x66x22mm

B1050-001364 **NEW**

F31175A



Polyamide hinge assembled

Finish: colour RAL 7039

Weight: 0,057 Kg

Delivery condition: box with 10 pieces

Note: competens to use aluminium profile Q.45mm, Q90mm and 45x90mm (structural line) with glass/plastic material doors or same section aluminium profile door.

Parts



Cod. **L19182A**
B1050-001972 **NEW**
Polyamide RAL7039
semi-hinge, 60x32x10



Cod. **L19182A**
B1050-001972 **NEW**
Polyamide RAL7039
semi-hinge, 60x32x10



Cod. **L19183A**
B1010-144731 **NEW**
Semi-hinge spacer for
L19182A thickness
4mm



Cod. **N30158**
B1080-001517 **NEW**
Stainless steel pin
D6x30



Cod. **F10534**
B1080-000443 **NEW**
Stainless steel socket
head cap screw M6x16



Cod. **F10545**
B1080-001177 **NEW**
Stainless steel socket
head cap screw M6x18



Cod. **N90209**
B1080-000118 **NEW**
M6 threaded bushing
in Aisi 304



Cod. **F12707**
B1080-001294 **NEW**
Black Polyethylene
washer dia. 20 / Dia.
10 mm

ELECTRICAL MATERIAL ACCESSORIES

For the housing of electrical connection cables, a range of easy to use and fit accessories is available: cable ducts, quick-fit couplings and sheaths made of self-extinguishing material.

Product specifications and dimensions are indicative as they may be subject to changes by the supplier. Lpm Group disclaims any responsibility for any differences found on the product.

SHEATHS AND COUPLINGS: Product technical characteristics

Flexible sheath material: special polyamide "6"

Colour: RAL 7031 grey

Operating temperature: min -40 °C, max +105 °C

Inflammability: self-extinguishing V-0

Resistant to: most oils up to 100°C, solvents, fuels, acids, liquid substances, electroerosion, etc....

Smooth sheath material: self-extinguishing PVC

Colour: grey

Operating temperature: min -15 °C, max +70 °C

Inflammability: self-extinguishing V-0

Resistant to: acids in general, alcohol, carbonates, chlorides, liquid substances, nitrates, sulphates, sulphides.

CABLE DUCTS: Product technical characteristics

Material: Rigid PVC

Colour: RAL 7030 grey

Thermal characteristics: VICAT (softening point) 84°C

Inflammability: self-extinguishing V-0

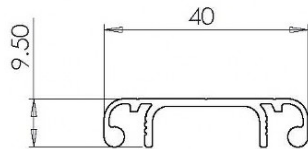
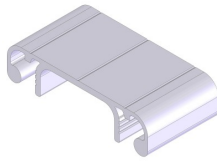
Resistant to: alcohol, acids and bases

Aluminum electric channel

B1050-001604 **NEW**

G16148

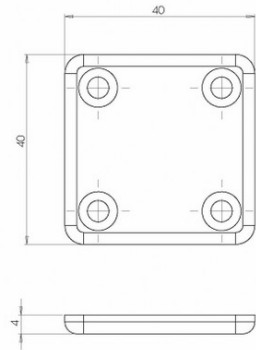
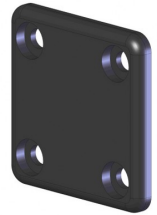
Aluminum channel cover series 40x40
 Finish: Silver anodised
 Delivery condition: Bar L= 6000mm
 Note: In stock.



B1050-001600 **NEW**

G16145

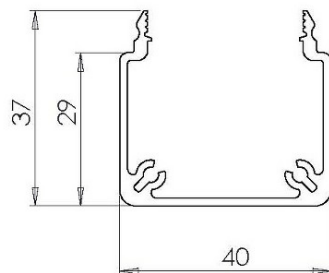
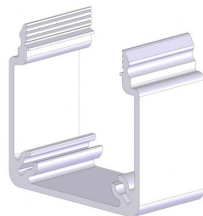
End piece for channel series 40x40
 Material: Plastic
 Colour: black



B1050-001602 **NEW**

G16147

Aluminum channel series 40x40
 Finish: Silver anodised
 Delivery condition: Bar L= 6000mm
 Note: In stock



FASTENING ELEMENTS (Nuts - Washers - Screws)

All components are made of **Galvanised steel**.

Supply condition: Available in stock.

Treatment: Galvanising.

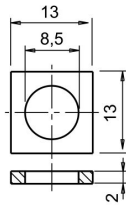
The technical characteristics and sizes of products are indicative as they may vary and be subject to functional changes based on enhancements and production issues, which are the sole responsibility of Lpm Group.

Nuts

B1080-001608 NEW

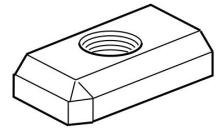
SF02001

Square washer 13x13 mm
 Material: galvanised steel
 Delivery condition: in stock

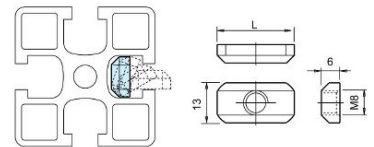

B1080-000836 NEW

SF01012

M8 threaded rectangular nut
 Material: galvanised steel
 Delivery condition: in stock



Code	L
SF01012	25
SF01016	42

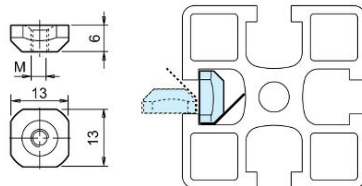

B1080-001599 NEW

SF01001

Flare square nut 13x13 mm
 Material: galvanised steel
 Delivery condition: in stock



Code	M
SF01001	4
SF01002	5
SF01003	6
SF01004	8



Nuts with cam

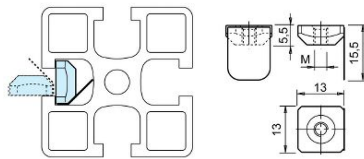
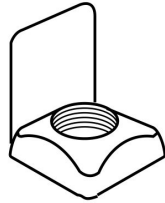
B1080-001603 **NEW**
SF01005

Flare square nut 13x13 mm with cam

Material: galvanised steel

Delivery condition: in stock

Code	M
SF01005	4
SF01006	5
SF01007	6
SF01008	8



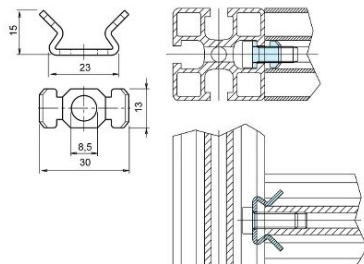
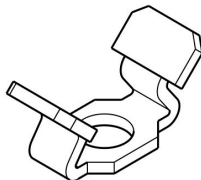
Anti-rotation nuts

B1080-001606 **NEW**
SF01017

Anti-rotation device 30x15mm

Material: galvanised steel

Delivery condition: in stock

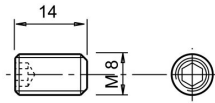


Screws

B1080-001231 **NEW**
F11093

M8 grub screw

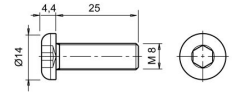
Material: galvanised steel 12.9


B1080-001613 **NEW**
SF04001

Convex head screw M8, UNI7380

Material: galvanised steel

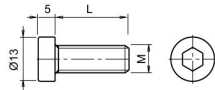
Delivery condition: in stock


B1080-001610 **NEW**
SF03001

Cheese-head screw DIN7984

Material: galvanised steel

Delivery condition: in stock

Note: The code SF03003 is out of production
from 31th July 2013.

B1080-000445 **NEW**
F10538

Stainless steel special head M6x20 screw, H=4mm

Material: AISI 304

Delivery condition: in stock

Note: Many Milpass system accessories feature this component independent of the selected line.



Code	M	L
SF03001	8	16
SF03002	8	20
SF03004	8	45

JOINT CORNER ELEMENTS

Material and characteristics

All the components are manufactured with an aluminium alloy whose conventional designation is EN AB - Al Si 11 Cu2 Fe "EN AB 46100" alloy EN1676 STANDARD (FORMERLY UNI 5076)

Number: **EN AB-46100**

Percent chemical composition:

Si 10-12 Fe 0.45-1 Cu 1.5-2.5 Mn 0.55 Mg 0.30 Cr0.15 Ni 0.45 Zn 1.7 Pb 0.25 Sn 0.25 Ti 0,20

Al for the remaining part

Surface treatment : **None**

The components are **tumbled**

Mechanical characteristics

Unit tensile strength Rm : **265-295 N/ mm²**

Yield point stress : **155-199 N/ mm²**

Elongation A : **1-2%**

Brinell hardness : **85-100HB**

The technical characteristics and sizes of products are indicative as they may vary and be subject to functional changes based on enhancements and production issues, which are the sole responsibility of Lpm Group.

Mechanical characteristics

Unit tensile strength Rm : **265-295 N/ mm²**

Yield point stress : **155-199 N/ mm²**

Elongation A : **1-2%**

Brinell hardness : **85-100HB**

Physical characteristics

Density : **2.7 Kg/dm³**

Lower melting point : **approx. 505°C**

Modulus of elasticity : **74,500 N/mm²**

Technological characteristics

Mechanical hot resistance : **poor**

General resistance to corrosion : **poor**

Machinability : **sufficient**

Castability : **good**

Polishing capability : **poor**

Shrinkage brittleness : **low**

Pressure strength : **sufficient**

Slots and holes are valid for all corner elements.

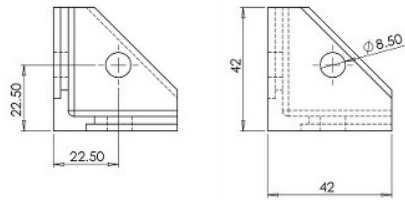
If the slots or holes are dimensionally different from what indicated below this detail will be shown in the drawing of each corner element.

Angle joint elements

B1050-002328 **NEW**

SL03006

Multiple angle junction 45x45x45
Material: cast aluminum
Delivery condition: in stock



B1050-002355 **NEW**

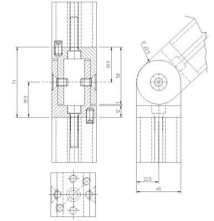
SN06002

Revolving coupling assembly for structural line profiles with section Q.45mm

Finish: silver anodised aluminum

Delivery condition: low availability for limited use

Note: The accessories F211093 (grub screw), M080300 (countersunk head screw) and the coupling itself code N40124 are supplied together as a set.



B1050-002354 **NEW**

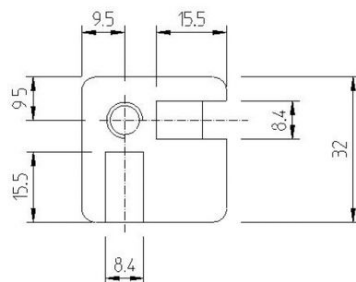
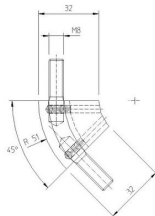
SN06001

45° curved coupling assembly for structural profile SA02003

Finish: silver anodised aluminum

Delivery condition: low availability for limited use

Note: The accessories F21070 (pin), N30175 (threaded pin) and the coupling itself code N40123 are supplied together as a set.



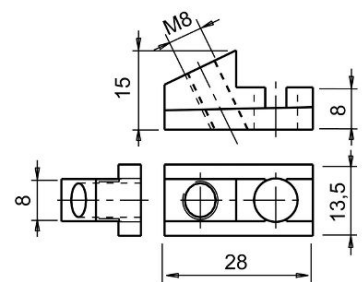
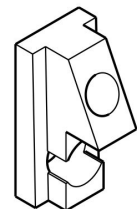
B1050-002352 **NEW**

SN05001

Joint element with no need of drilling

Material: galvanised steel

Delivery condition: in stock

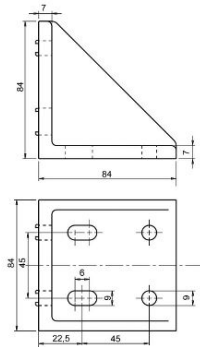
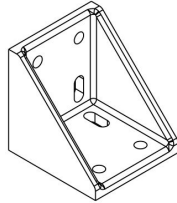


Angle joint elements

B1050-002327 NEW

SL03005

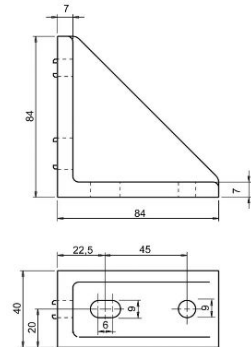
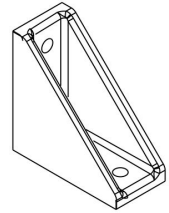
Corner piece 84x84x84
Material: cast aluminum
Delivery condition: in stock



B1050-002326 NEW

SL03004

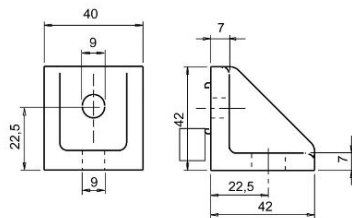
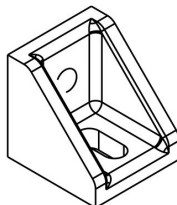
Corner piece 40x84x84
Material: cast aluminum
Delivery condition: in stock



B1050-002325 NEW

SL03003

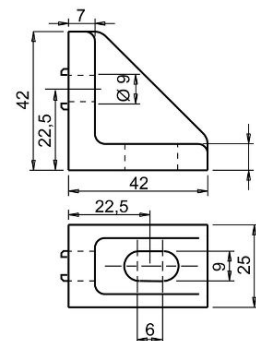
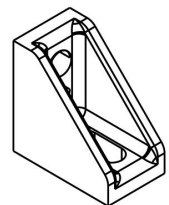
Corner piece 40x42x42
Material: cast aluminum
Delivery condition: in stock



B1050-002324 NEW

SL03002

Corner piece 25x42x42
Material: cast aluminum
Delivery condition: in stock



Angle joint elements

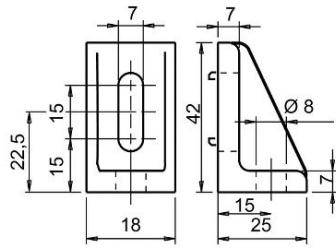
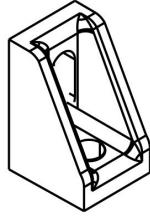
B1050-002323 **NEW**

SL03001

Corner piece 18x25x42

Material: cast aluminum

Delivery condition: in stock



GROOVE JOINT ELEMENTS

All components are made of **Galvanised steel**.

Supply condition: Available in stock.

Treatment: Galvanising.

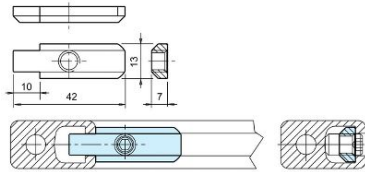
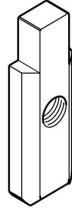
The technical characteristics and sizes of products are indicative as they may vary and be subject to functional changes based on enhancements and production issues, which are the sole responsibility of Lpm Group.

Groove joint elements

B1080-001607 **NEW**

SF01025

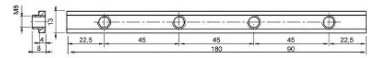
Anti-rotation nut
 Length: 42mm
 Material: galvanised steel
 Delivery condition: in stock
 Note: use code F11093 for fitting



B1050-000171 **NEW**

SF01019

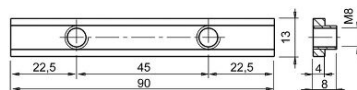
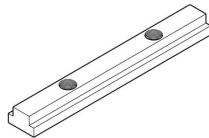
Groove linear joint element.
 Length: 180mm
 Material: galvanised steel
 Delivery condition: in stock
 Note: use code F11093 for fitting



B1050-002273 **NEW**

SF01018

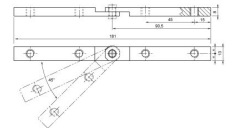
Groove linear joint element.
 Length: 90mm
 Material: galvanised steel
 Delivery condition: in stock
 Note: use code F11093 for fitting



B1050-002278 **NEW**

SF01022

Groove joint element for variable angles
 Material: galvanised steel
 Delivery condition: in stock
 Note: solution for joints with special angles

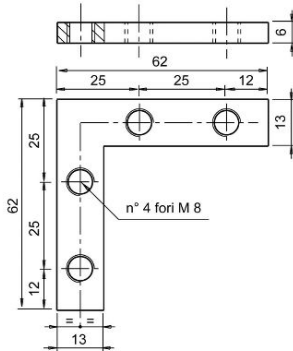
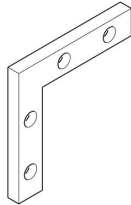


Groove joint elements

B1050-002274 NEW

SF01020

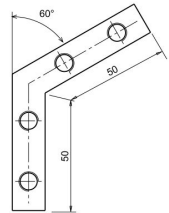
Groove joint element for 90° angles
 Material: galvanised steel
 Delivery condition: in stock
 Note: solution for 90° joints with profile head cut at 45°



0000012536 NEW

SF01024

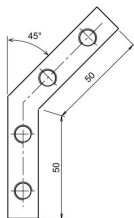
Groove joint element for 60° angles
 Material: galvanised steel
 Delivery condition: in stock
 Note: solution for 60° joints with profile head cut at 30°



B1050-002276 NEW

SF01021

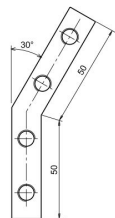
Groove joint element for 90° angles
 Material: galvanised steel
 Delivery condition: in stock
 Note: solution for 45° joints with profile head cut at 22°30'



0000012534 NEW

SF01023

Groove joint element for 30° angles
 Material: galvanised steel
 Delivery condition: in stock
 Note: solution for 30° joints with profile head cut at 15°



FOOT FASTENING PLATES

Material and characteristics

The profiles are designed for feet with M.8 threaded rods.
For some profiles special plates can be used. In this case it is possible to use feet with M.16 - diameter threaded rods

The plates are made of aluminium.

Alloy designation:

Al Mg 0.5 Si 0.4 Fe UNI 9006/1 alloy

Number : **6060**
Surface treatment : **Anodic anodising**

The technical characteristics and sizes of products are indicative as they may vary and be subject to functional changes based on enhancements and production issues, which are the sole responsibility of Lpm Group.

For more information on alloys and treatments see: **Aluminium Profiles** section.

Foot fastening plates

B1050-002322 **NEW**

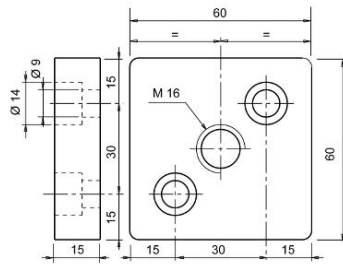
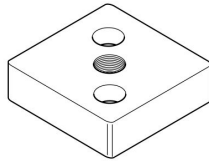
SL02002

Foot-to-profile holder bracket 60x60 mm

Material: anodised aluminum

Delivery condition: in stock

Note: to be used with M16 thread feet



B1050-002320 **NEW**

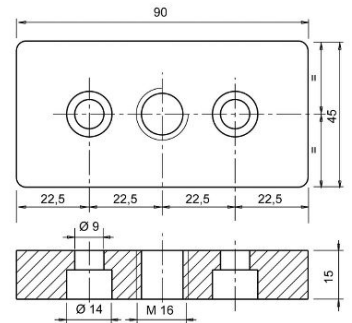
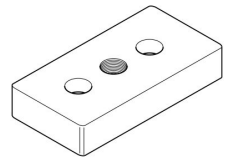
SL02001

Foot-to-profile holder bracket 45x90 mm

Material: anodised aluminum

Delivery condition: in stock

Note: to be used with M16 thread feet



SUPPORT BASES / ANCHORING BRACKETS

Material and characteristics

The bases and brackets are designed to be used with 8 mm groove aluminium profiles of the Structural line.

The items in question are always secured by special nuts you can find in the "**Fastening elements**" section.

The plates are made of Fe.

Surface treatment : **Painted RAL 9007**

The technical characteristics and sizes of products are indicative as they may vary and be subject to functional changes based on enhancements and production issues, which are the sole responsibility of Lpm Group.

For more information on alloys and treatments see: **Aluminium Profiles** section.

Support bases - Anchoring brackets

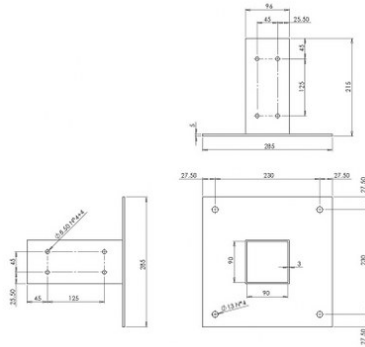
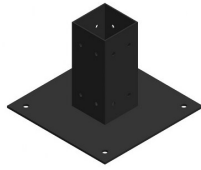
SN04003B

Floor support and anchor base for 90x90mm profiles

Material: painted Fe BLACK.

Delivery condition: Available under request. Please contact sales office.

Note: Base plane 285x285mm.



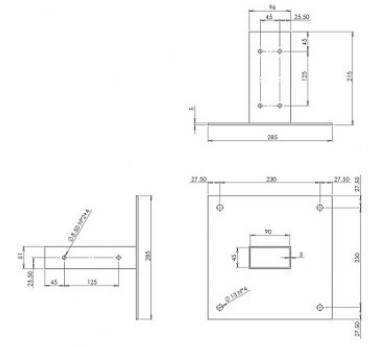
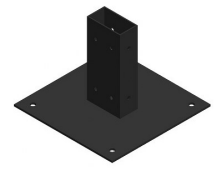
SN04002B

Floor support and anchor base for 45x90mm profiles

Material: painted Fe BLACK.

Delivery condition: Available under request, please contact sales office.

Note: Base plane 285x285mm. Fixing hole 13mm diameter.



B1050-002349 **NEW**

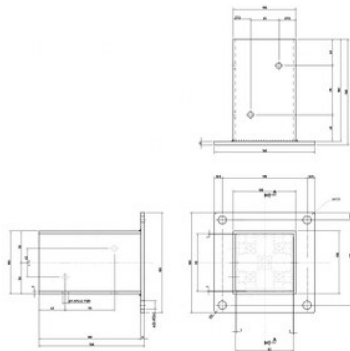
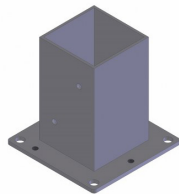
SN04003

Floor support and anchor base for 90x90mm profiles

Material: painted Fe RAL 9007

Delivery condition: in stock

Note: the bearing surface can be adjusted with the M10 threads on the bottom plate



B1050-000188 **NEW**

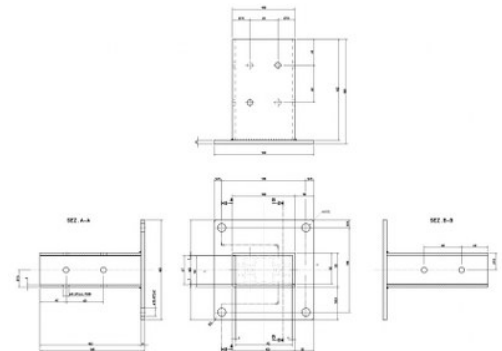
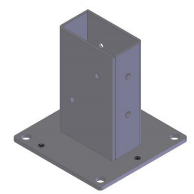
SN04002

Floor support and anchor base for 45x90mm profiles

Material: painted Fe RAL 9007

Delivery condition: in stock

Note: the bearing surface can be adjusted with the M10 threads on the bottom plate



Support bases - Anchoring brackets

B1050-002347 **NEW**

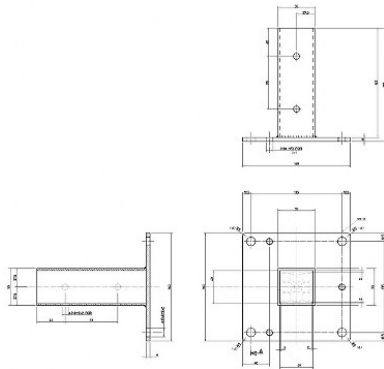
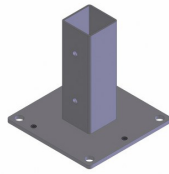
SN04001

Floor support and anchor base for
45x45mm profiles

Material: painted Fe RAL 9007

Delivery condition: in stock

Note: the bearing surface can be
adjusted with the M10 threads on the
bottom plate



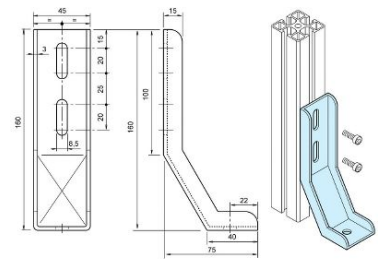
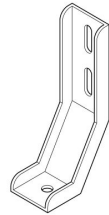
B1050-002350 **NEW**

SN04004

Floor anchor bracket

Material: painted Fe RAL 9007

Delivery condition: in stock



INDICE ALFABETICO CODICI

Cod.	Pg.	Cod.	Pg.	Cod.	Pg.
A40778	38	SF01017	53	SN01004	43
D00304	16	SF01018	60	SN01005	42
D00404	16	SF01019	60	SN02001	41
D00504	16	SF01020	61	SN04001	66
D70104	17	SF01021	61	SN04002	65
F10538	54	SF01022	60	SN04002B	65
F11093	54	SF01023	61	SN04003	65
F21812	24	SF01024	61	SN04003B	65
F21813	24	SF01025	60	SN04004	66
F21814	24	SF02001	52	SN05001	56
F21816	24	SF02002	40	SN06001	56
F31112	37	SF03001	54	SN06002	56
F31173A	47	SF04001	54	SN07001	35
F31175A	48	SF05000	13		
F50836	14	SF05001	13		
G16145	50	SF05002	13		
G16147	50	SL01001B	21		
G16148	50	SL01002B	21		
SA01001	4	SL01003B	21		
SA01001L	7	SL01004B	21		
SA01002	5	SL01005B	20		
SA01003	5	SL01006B	19		
SA01003L	7	SL01007B	19		
SA01004	8	SL01008B	22		
SA01004L	8	SL01009B	20		
SA01005	10	SL01010	22		
SA01005L	9	SL01011	22		
SA01006L	7	SL01014	19		
SA02001	9	SL01015	19		
SA02002	9	SL02001	63		
SA02003	8	SL02002	63		
SA02004	8	SL03001	58		
SA02005	4	SL03002	57		
SA02005L	6	SL03003	57		
SA02006	4	SL03004	57		
SA02006L	6	SL03005	57		
SA02009L	9	SL03006	56		
SA02013L	5	SL04001	30		
SA02014L	6	SL04002	31		
SA03001	4	SL04003	33		
SA03001L	6	SL04003A	34		
SA03010L	5	SL04004	32		
SA80001	11	SL04006	26		
SA80002	11	SL04006B	27		
SA80003	10	SL04007	28		
SA80004	10	SL04008	29		
SF01001	52	SN01001	46		
SF01005	53	SN01002	44		
SF01012	52	SN01003	45		

lpm
lpm.group

