

SAFETY GUARDS//

General catalogue

SICUR LINE

lpm
lpm.group



SICUR

rev.022020

Profiles	3
Sheets	6
Glues	15
Couplings	17
Articulated feet	27
Supports	29
Handles	57
Locks	62
Hinges	66
Gas springs	73
Microswitches	89
Accessories	91
Electrical material	97
Assembled Hinge	102

PROFILES

The "Profiles" section includes all the components currently manufactured by **Lpm Group** and available in stock.

The material can be supplied with two different anodising treatments:

Silver: the product code can be found in the catalogue

Elox: this product code can be found in the catalogue

with the letter "A" added at the end. i.e. *A40710A*

Silver anodising represents **Lpm Group** "standard supply", while Elox anodising may be a good alternative for all the machinery having many stainless steel components.

The colour of this treatment is brownish and similar to niproly treatment aesthetic finish.

This makes it particularly attractive to those interested in seeking greater integration between the machinery and safety guards in particular as regards pharmaceutical and cosmetic industries.

Neutral colour is the strong point of silver anodising making it suitable for any application.

All profiles are available in stock at **Lpm Group**.

The technical characteristics, sizes and especially WEIGHTS of products are indicative as they may vary and be subject to functional changes based on enhancements and production issues, which are the sole responsibility of Lpm Group.

Product technical characteristics

Aluminium alloy: P- AlMg 0.5 Si 0.4 Fe UNI 9006/1-88

Length of bars: 6.0 metres

Supply condition: Hardened and tempered (T5)

Profile thickness: 2 mm

Standard finish: Silver anodised

Unit tensile strength (R): 205 N/mm²

Hardness (HB): 60 kg/mm² depending on the cross section

Elongation (A): greater than or equal to 10%

Frame profiles

B1020-003420 **NEW**

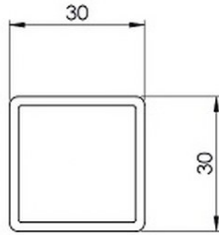
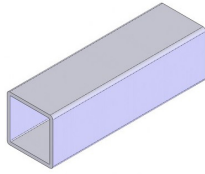
A40787

Aluminum profile SICUR
Q.30mm code 270030026A

Weight m /l: 0,600 Kg

Silver anodization finishing

Delivery condition: In stock



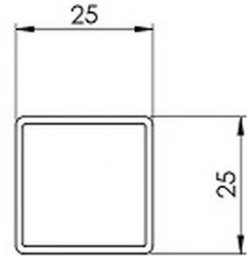
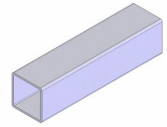
B1020-003381 **NEW**

A40786

Aluminum profile SICUR Q.25mm
code 270025012A

Weight m /l: 0,330 Kg

Delivery condition: In stock



Q25 profiles without seal

B1020-003405 **NEW**

A40834

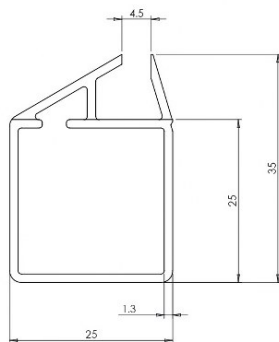
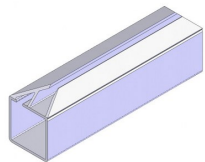
Aluminum profile SICUR Q.25mm Cod.
270025023A.

Weight m /l: 0,420Kg

Silver anodization finishing

Delivery condition: In stock

Note: Profile usable ONLY with 4mm
thickness.



B1020-003411 **NEW**

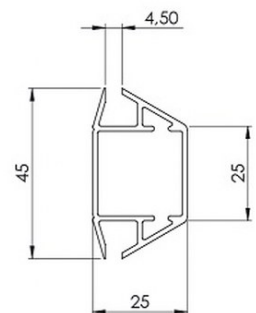
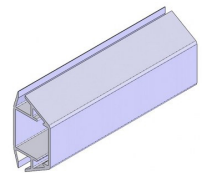
A40835

Aluminum profile SICUR Q.25mm
Code 270025025A.

Weight m /l: 0.991 Kg

Silver anodization finishing

Delivery condition: In stock. Use it
ONLY with 4mm material thickness.



Q30 profiles without seal

B1020-003426 **NEW**

A40836

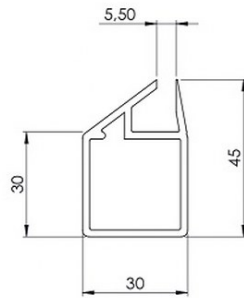
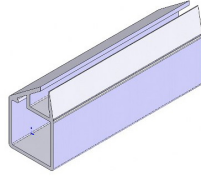
Aluminum profile SICUR Q.30mm
code 270030028A.

Weight: 0.793 Kg /mt

Silver anodization finishing

Delivery condition: In stock.

Usable ONLY for 5mm material
thickness.



SHEETS

The "Sheets" section offers a summary of the products in **Lpm Group** system. The nature and thickness of the material, if between 1.2 mm and 10 mm, do not represent a restraint in its use. For greater thickness specific solutions are necessary, which are provided by **Lpm Group** technical staff.

For each material category you will find all the main technical specifications to help you in choosing the product best suited to you.

Lpm Group provides the best choice on the market and most of all a direct and continuous co-operation with the leading world producers of the materials listed in each section.

All types listed are in stock in quantities depending on **Lpm Group** requirements. It should be remembered that plastic materials comply with the manufacturer's specific technical data sheets, and that improper use may cause changes in technical - mechanical features, for which neither **Lpm Group** or the manufacturer shall be liable.

In order to improve durability over time and use by the final customer **Lpm Group** applies labels in five different languages on each product / safety guard.

=====

Pulire con acqua e sapone

Nettoyer avec eau et savon

Wash with water and soap

mit Wasser und Seife sauber machen

Limpia con agua y jabon

=====

Technical characteristics

Methacrylate

Composition:
methyl methacrylate polymer

Supply condition:
2000x3000 mm sheets
transparent or translucent

Thickness:
4/5/6/8/10/12/15/20 mm

Colour: colourless or smoky
grey

Flash point:
> 250 °C

Softening temperature:
> 110 °C

Density: 1190 kg/m³

Technical characteristics - polycarbonate

Composition: polyester resin,
known commercially
as LEXAN® or MAKROLON®

Supply condition: transparent
2000x3000 mm sheets

Thickness: 3/4/5/6/8/10/12 mm

Colour: colourless

Inflammability: self-
extinguishing Shatterproof

Transparent material among the
most resistant on the market,
highly shock-resistant, high
surface hardness, heat resistant
up to 135° C (to 145°C if
fiberglass reinforced).

Odourless and tasteless,
physiologically harmless and
resistant to mineral and organic
acids, grease, oil and
hydrocarbons; particularly
suitable as a protective shield in
any industrial sector.

Technical characteristics - Foamed PVC

Composition: polyvinyl chloride
Supply condition: sheets in
varying sizes

Thickness: 5 mm (grey-white
and coloured) 10 mm (white)

Colour: white or coloured

Inflammability: self-
extinguishing

Highly shock-resistant

Density: 0.75 kg/m³

Transparent cast and extruded methacrylates

B1020-000257 **NEW**

D40604

Extruded transparent metacrylate sheet.

Delivery condition: 3050x2050 sheet

Thickness	Weight Kg/m ²	Code
4	4.85	D40604
5	6.03	D40605
8	9.57	D40608



B1020-000082 **NEW**

D40104

Transparent metacrylate sheet

Delivery condition: 3050x2050 sheet

Thickness	Weight Kg/m ²	Code
4	4.85	D40104
5	6.03	D40105
6	7.21	D40106
8	9.57	D40108
10	11.93	D40110
12	14.29	D40112
15	17.83	D40115



Smoked cast and extruded methacrylates

B1020-000270 **NEW**

D40905

Extruded smoked metacrylate sheet.

Delivery condition: 3050x2050 sheet

Thickness	Weight Kg/m ²	Code
5	6.00	D40905
8	9.60	D40908



B1020-004370 **NEW**

D40303

Colored (Fumè) metacrylate sheet

Delivery condition: 3050x2050 sheet

Note: check on the table the code needed

Thickness	Weight Kg/m ²	Code
3	3.67	D40303
4	4.85	D40304
5	6.03	D40305
6	7.21	D40306
8	9.57	D40308
10	11.93	D40310
12	14.29	D40112
15	17.83	D40115



Shock-proof methacrylates

B1020-000273 **NEW**
D40505

Shockproof metacrylate, thickness 5 mm

Delivery condition: 3050x2050 sheet

Thickness	Weight Kg/m ²	Code
5	6,00	D40505
6	7,20	D40506
8	9,60	D40508
10	12,00	D40510



Transparent polycarbonates

B1020-000354 **NEW**
D50103

Transparent polycarbonate sheet

Delivery condition: 3050x2050 sheet

Thickness	Weight Kg/m ²	Code
3	3.67	D50103
4	4.85	D50104
5	6.03	D50105
6	7.21	D50106
8	9.57	D50108
10	11.93	D50110
12	14.29	D50112
15	17.83	D50115



Coloured/special polycarbonates

B1020-000416 **NEW**

OD52108

Margard MR5E /112 polycarbonate,
thickness 5mm

Delivery condition: 3050x2050 sheet

Available upon request. Delivery to be
agreed upon.



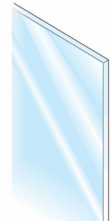
B1020-000383 **NEW**

OD52105

Margard MR5E /112 polycarbonate,
thickness 5mm

Delivery condition: 3050x2050 sheet

Available upon request. Delivery to be
agreed upon.



B1020-000422 **NEW**

D53108

Antistatic polycarbonate, thickness
8mm

Delivery condition: 3050x2050 sheet

Available upon request. Delivery to be
agreed upon.



B1020-004378 **NEW**

D50498

Smoked grey Lexan, thickness 8mm

Delivery condition: 3050x2050 sheet

Available upon request. Delivery to be
agreed upon.



Coloured/special polycarbonates

B1020-004377 **NEW**

D50485

Smoked Lexan Excell D, thickness 5mm

Delivery condition: 3050x2050 sheet

Available upon request. Delivery to be agreed upon.



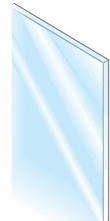
B1020-000385 **NEW**

D50455

Transparent Lexan Excell D, thickness 5mm

Delivery condition: 3050x2050 sheet

Available upon request. Delivery to be agreed upon.



Transparent PETG

B1020-001529 **NEW**

D41603

Transparent PETG, thickness 3mm

Weight:

Delivery condition: 3050x2050 sheet



Thickness	Weight Kg/m ²	Code
3	3.67	D41603
4	4.85	D41604
5	6.03	D41605
6	7.21	D41606
8	9.57	D41608
10	11.93	D41610

Coloured foam PVC

B1020-000806 **NEW**

D61106

Coloured foam PVC sheets
 Delivery condition: custom made
 Available upon request. Delivery to be agreed upon.
 Important information: Color is identified on "Pantone" scale.
 Is possible to have some difference in the color between two different production lot.

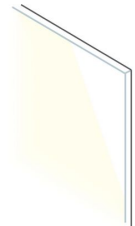


Colors	Thick.	Weight Kg/m ²	Code
	5	3.5	D61106
	5	3.5	D61206
	5	4.2	D61306
	5	4.2	D61406
	5	4.2	D61506
	5	4.2	D61605

B1020-000809 **NEW**

D60905

White foam PVC sheets
 Dimension format: 3050x1560mm sheet
 Delivery condition: Custom made, Available upon request. Delivery to be agreed upon.
 Important information: Color is identified on "Pantone" scale.
 Is possible to have some difference in the color between two different production lot.



Colors	Thick.	Weight Kg/m ²	Code
	5	3.5	D60905
	10	7	D60910

Coloured compact PVC

B1020-004385 **NEW**

D60105

Compact PVC
 Dimension format: 3000x1500mm sheet
 Delivery condition: Custom made, Available upon request. Delivery to be agreed upon.
 Important information: Color is identified on "Pantone" scale.
 Is possible to have some difference in the color between two different production lot.



Colors	Thick.	Weight Kg/m ²	Code
	5	7,35	D60105
	8	11,76	D60108
	10	14,70	D60110
	4	5,88	D60304
	5	7,133	D60305
	3	4,41	D60603
	5	7,35	D60605
	6	8,82	D60606
	8	11,76	D60608
	10	14,70	D60610

Mesh and plates

Lamiera-Verniciata

Painted plate, thickness 1.5mm
 Delivery condition: custom-made.
 Specify RAL.
 Available upon request. Delivery to be agreed upon



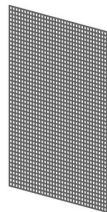
Lamiera-Inox

Stainless steel plate, thickness 1.5mm
 Delivery condition: custom-made
 Available upon request. Delivery to be agreed upon



Lamiera-Forata-q10

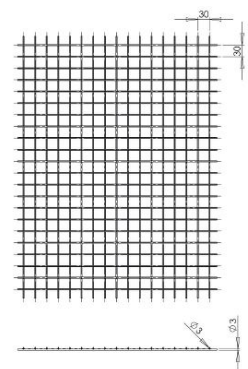
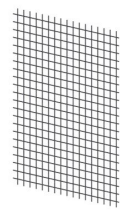
Stainless steel 10mm square mesh
 slotted plate
 Available upon request. Delivery to be agreed upon.



B1020-004355 **NEW**

D11104

Electrowelded 30 mm mesh, 3mm wire
 Material: Fe
 Finish: Galvanised
 Delivery condition: 1200x2400 sheet

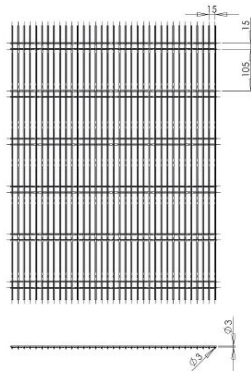
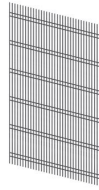


Mesh and plates

B1020-004358 **NEW**

D21102

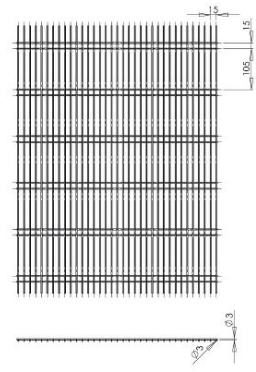
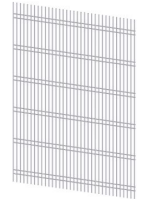
Tec electrowelded mesh, 3mm wire
 Material: Aisi 304
 Finish: Butter-finished
 Delivery condition: Available upon request. Delivery to be agreed upon.



B1020-004353 **NEW**

D11103

Tec electrowelded mesh, 3mm wire
 Material: Fe
 Finish: Galvanised
 Delivery condition: 1200x2400 sheet



Layered glasses

Vetro-Securit-4-5

Securit 4 /5 layered glass
 Delivery condition: custom made
 Available upon request. Delivery to be agreed upon.



Aluminum Composite

B1020-001645 **NEW**

D00504

Aluminium composite Thickness 4mm

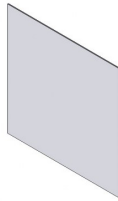
Color: White / White

Format: 3050x1500mm

Status: Available in warehouse

Notes: The material is made from two sheets of Aluminium Sp. 0,2mm with inside the black polyethylene. The whole is glued. very durable material impact in normal daily use.

You can paint it with excellent aesthetic results.



B1020-001651 **NEW**

D00404

Aluminium composite Thickness 4mm

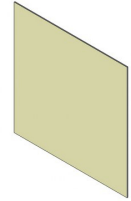
Color: Beige RAL 1013

Format: 3050x1500mm

Status: Available in warehouse

Notes: The material is made from two sheets of Aluminium Sp. 0,2mm with inside the black polyethylene. The whole is glued. very durable material impact in normal daily use.

You can paint it with excellent aesthetic results.



B1020-001662 **NEW**

D00304

Aluminium composite Thickness 4mm

Color: Grey / Grey (RAL 9006 similar)

Format: 3050x1500mm

Status: Available in warehouse

Notes: The material is made from two sheets of Aluminium Sp. 0,2mm with inside the black polyethylene. The whole is glued. very durable material impact in normal daily use.

You can paint it with excellent aesthetic results.



GLUES

NEUTRAL SILICONE (Code H 10105)

Characteristics:

- rapid non-acid polymerisation
- permanent elasticity
- excellent adhesion for vitreous materials, aluminium, painted surfaces, PVC and other plastic materials
- high temperature resistance
- solvent-free
- transparent.

Used for sound-insulating surfaces, plastic materials, perimeter sealing.

Application:

the surface must be clean and dry.

Precautions:

non-polymerised products can irritate the eyes, the respiratory system and the skin.

Use in a ventilated room; if the product comes into contact with the eyes, wash with running water and consult a doctor.

Shelf life:

12 months from the date of manufacture if kept at a temperature between +5°C and +25°C.

LIQUID GLUE (Code H 11115)

Characteristics:

- use a spatula to apply
- highly waterproof
- excellent adhesion to metal, glass and plastic
- it hardens by solvent evaporation
- light grey colour

Used to attach flat sound-insulating material to plate.

Application:

the surface should be clean, dust-free and dry.

Apply a thin layer over the entire surface with a spatula and join together.

Shelf life:

6 months from the date of manufacture if kept at a temperature between +5°C and +25°C.

JOINT GLUE (Code H 11116)

Characteristics:

- solvent-free
- fast setting
- transparent amber colour

Application:

apply a thin strip of glue, bearing in mind that while hardening the product swells and excess material tends to come out when the aluminium profiles are joined. The parts must be joined together within 5 minutes of application.

Supply conditions

In a package only where indicated on the specific component

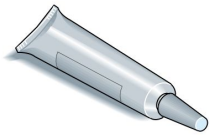
■ Glues for aluminum line couplings

B1020-004429 **NEW**

H11116

Glue in cartridge

Delivery condition: Box with 6 pieces



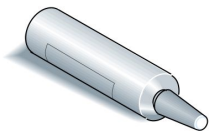
■ Glues for plastic materials

B1020-004428 **NEW**

H10105

Neutral silicone in cartridge

Delivery condition: Box with 24
cartridges



COUPLINGS

The "Couplings" section includes all the components currently manufactured by **Lpm Group** and available in stock.

All components in this section are in RAL 7039 colour like all the polyamide accessories belonging to **Lpm Group** system.

In case the component is of aluminium, the finish treatment will be Elox anodising.

The Polyamide Polymer "6" is reinforced with fiberglass and contains a percentage of elastomer which improves its resistance to deformation, without making it elastic, and avoiding the resulting brittle fracture.

The range of products available is vast and always allows **Lpm Group** to obtain the best results while maintaining the aesthetic and ergonomic features of the product.

In relation to aesthetic and practical needs, to have a clean and gap-free component, etc., the coupling is generally applied to the profile with fast setting glue (code H11116). In the case of customer specific requests or for technical reasons it can be secured with a screw or a rivet.

The technical characteristics and sizes of products are indicative as they may vary and be subject to functional changes based on enhancements and production issues, which are the sole responsibility of Lpm Group.

Product technical characteristics

Structure: partially crystalline thermoplastic material

Reinforcement material: fiberglass

Colour: RAL 7039

Mechanical characteristics:

- High fatigue strength
- Resistance to wear
- Highly shock-resistant
- Good resistance to ageing

Electrical characteristics: good resistance to contact current

Thermal characteristics: VICAT (softening point) 215°C

Resistant to:

- Hydrocarbons
- Petrol
- Oil and grease
- Alkaline solutions in general

Food Compatibility: To be verified depending on applications

Supply conditions: In a package only where indicated on the specific component

SICUR line internal coupling square 19mm

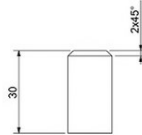
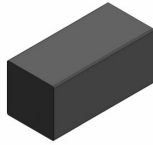
B1050-00004 **NEW** 280019040P

Aluminium internal coupling Q.19mm
- dust - 90 degrees

Colour: anodized

Weight: N.C. Kg

Delivery condition: Available in
warehouse



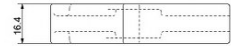
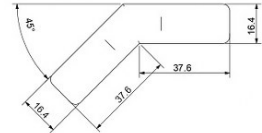
B1050-00002 **NEW** 280019006G

Aluminium internal coupling Q.19mm -
2 ways - 45 degrees

Colour: natural

Weight: N.C. Kg

Delivery condition: Available in
warehouse



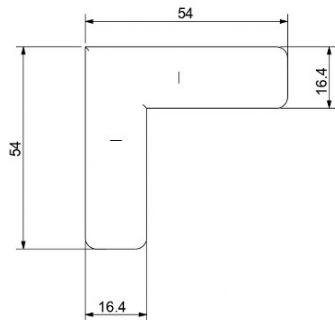
B1050-00001 **NEW** 280019002G

Aluminium internal coupling Q.19mm -
2 ways - 90 degrees

Colour: natural

Weight: N.C. Kg

Delivery condition: Available in
warehouse



SICUR line internal coupling square 25mm

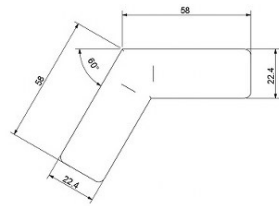
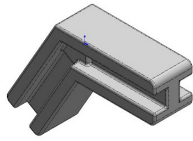
B1050-00020 NEW 280025122G

Aluminium internal coupling Q.25mm
- 2 ways - 60 degrees angle

Colour: Plasticenter Grey

Weight: N.C. Kg

Delivery condition: Available in warehouse



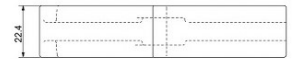
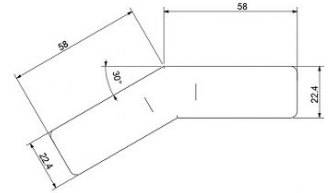
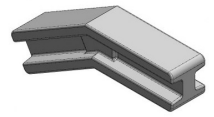
B1050-00019 NEW 280025112G

Aluminium internal coupling Q.25mm
- 2 ways - 30 degrees angle

Colour: Plasticenter Grey

Weight: N.C. Kg

Delivery condition: Available in warehouse



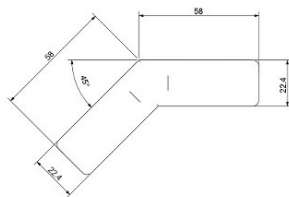
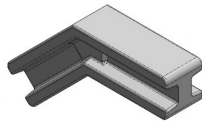
B1050-00018 NEW 280025106G

Aluminium internal coupling Q.25mm
- 2 ways 0 45 degrees angle

Colour: Plasticenter Grey

Weight: N.C. Kg

Delivery condition: Available in warehouse



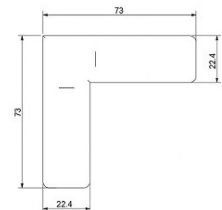
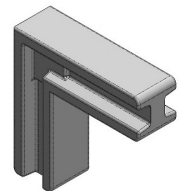
B1050-00017 NEW 280025102G

Aluminium internal coupling Q.25mm
- 2 ways

Colour: Plasticenter Grey

Weight: N.C. Kg

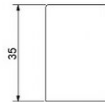
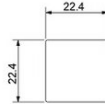
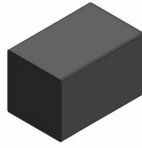
Delivery condition: Available in warehouse



SICUR line internal coupling square 25mm

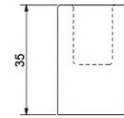
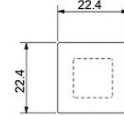
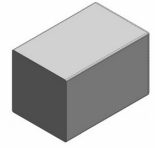
B1050-000016 NEW 280025040P

PVC internal coupling Q.25mm - 1 way
 Colour: Plasticenter Grey
 Weight: N.C. Kg
 Delivery condition: Available in warehouse



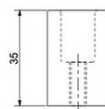
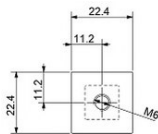
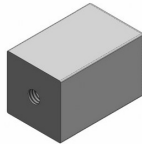
B1050-000015 NEW 280025040G

Aluminium internal coupling Q.25mm - 1 way
 Colour: Plasticenter Grey
 Weight: N.C. Kg
 Delivery condition: Available in warehouse



B1050-000014 NEW 280025040C

Aluminium internal coupling Q.25mm
 Colour: Natural
 Weight: N.C. Kg
 Delivery condition: Available in warehouse
 Note: M6 central hole for fixing



SICUR line internal coupling square 30mm

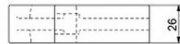
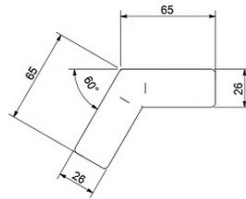
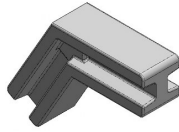
B1050-000048 NEW 280030222G

SICUR Aluminium internal coupling
Q.30mm - 2 ways - 60 degrees angle

Colour: Plasticenter Grey

Weight: N.C. Kg

Delivery condition: Available in
warehouse



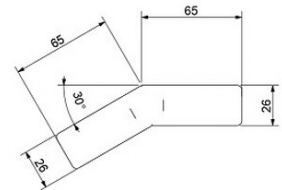
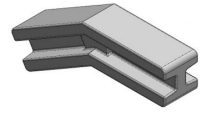
B1050-000047 NEW 280030212G

SICUR Aluminium internal coupling
Q.30mm - 2 ways - 30 degrees angle

Colour: Plasticenter Grey

Weight: N.C. Kg

Delivery condition: Available in
warehouse



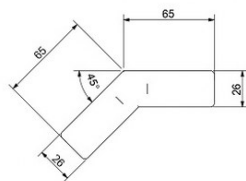
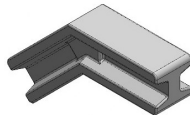
B1050-000046 NEW 280030206G

SICUR Aluminium internal coupling
Q.30mm - 2 ways - 45 degrees angle

Colour: Plasticenter Grey

Weight: N.C. Kg

Delivery condition: Available in
warehouse



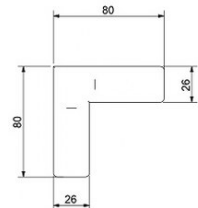
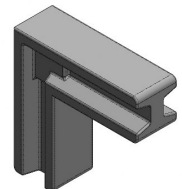
B1050-000045 NEW 280030202G

Aluminium internal coupling Q.30mm
- 2 ways - 90 degrees angle

Colour: Plasticenter Grey

Weight: N.C. Kg

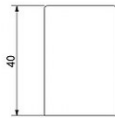
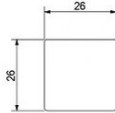
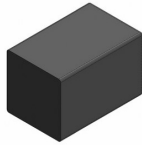
Delivery condition: Available in
warehouse



SICUR line internal coupling square 30mm

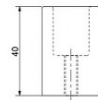
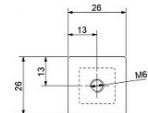
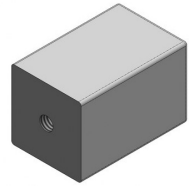
B1050-000044 **NEW** **280030040P**

PVC internal coupling Q.30mm - 1 way
 Colour: Plasticenter Grey
 Weight: N.C. Kg
 Delivery condition: Available in warehouse



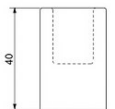
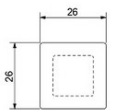
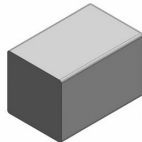
B1050-000043 **NEW** **280030040GF**

Aluminium internal coupling Q.30mm -
 1 way - M6 threaded
 Colour: Plasticenter Grey
 Weight: N.C. Kg
 Delivery condition: Available in warehouse



B1050-000042 **NEW** **280030040G**

Aluminium internal coupling Q.30mm -
 1 way
 Colour: Plasticenter Grey
 Weight: N.C. Kg
 Delivery condition: Available in warehouse



SICUR line coupling Q19

B1050-000005 **NEW**

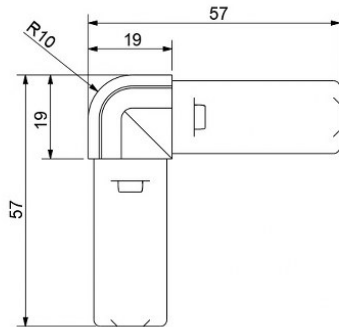
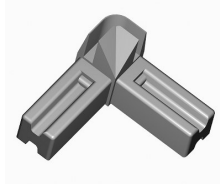
2800190A2

Aluminium external coupling Q.19mm
- 90 degrees angle - dust

Colour: Anodized

Weight: N.C. Kg

Delivery condition: Available in warehouse



B1050-000010 **NEW**

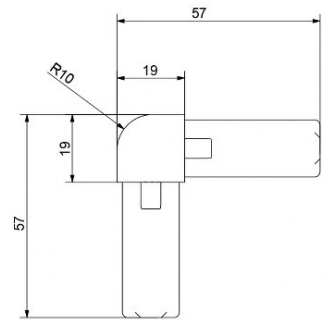
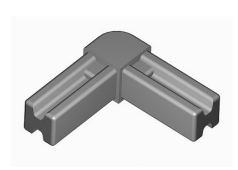
2800190R2A

Aluminium external coupling Q.19mm
- 2 ways - external and radiused

Colour: anodized

Weight: N.C. Kg

Delivery condition: Available in warehouse



B1050-000008 **NEW**

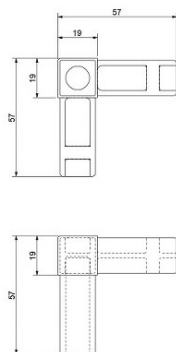
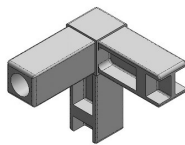
2800190E3A

Aluminium external coupling Q.19mm
- 3 ways - external

Colour: anodized

Weight: N.C. Kg

Delivery condition: Available in warehouse



B1050-000006 **NEW**

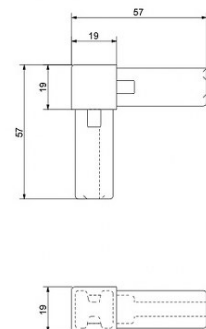
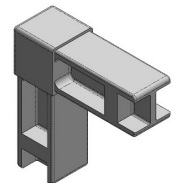
2800190E2A

Aluminium external coupling Q.19mm
- 2 way - 90 degrees

Colour: anodized

Weight: N.C. Kg

Delivery condition: Available in warehouse



SICUR line coupling Q25

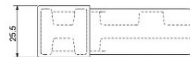
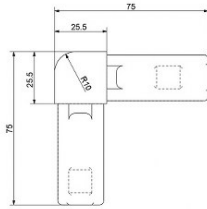
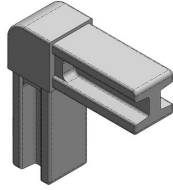
B1050-000030 **NEW** 2800251R2A

Aluminium external coupling Q.25mm
- 2 ways radiused

Colour: Plasticenter Grey

Weight: N.C. Kg

Delivery condition: Available in warehouse



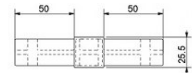
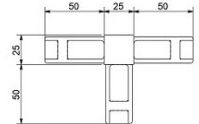
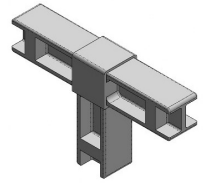
B1050-000028 **NEW** 2800251E4A

Aluminium external coupling Q.25mm
- 3 ways - "T" connection

Colour: Plasticenter Grey

Weight: N.C. Kg

Delivery condition: Available in warehouse



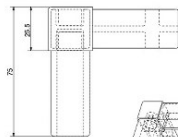
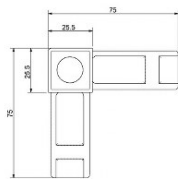
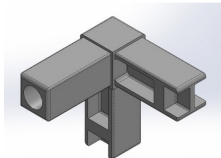
B1050-000026 **NEW** 2800251E3A

Aluminium external coupling Q.25mm
- 3 ways

Colour: Plasticenter Grey

Weight: N.C. Kg

Delivery condition: Available in warehouse



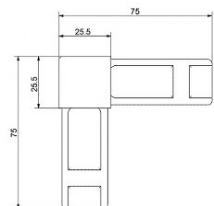
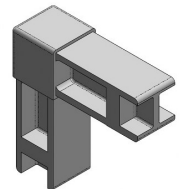
B1050-000024 **NEW** 2800251E2A

Aluminium external coupling Q.25mm
- 90 degrees angle

Colour: Anodized

Weight: N.C. Kg

Delivery condition: Available in warehouse



SICUR line coupling Q25

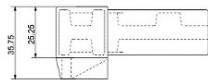
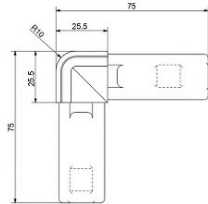
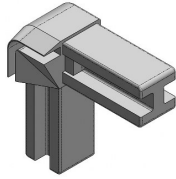
B1050-00021 **NEW** **2800251A2A**

Aluminium external coupling Q.25mm
- 90 degrees angle - dust

Colour: Anodized

Weight: N.C. Kg

Delivery condition: Available in warehouse



SICUR line coupling Q30

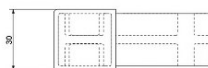
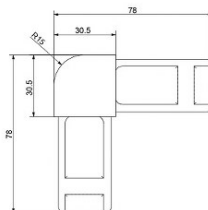
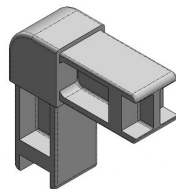
B1050-00057 **NEW** **2800302R2A**

Aluminium external coupling Q.30 mm
- Radiused 2 ways - 90 degrees angle

Colour: Painted

Weight: N.C. Kg

Delivery condition: Available in warehouse



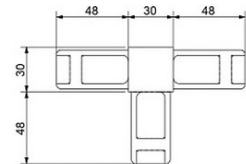
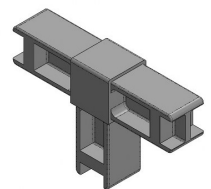
B1050-00055 **NEW** **2800302E4A**

Aluminium external coupling Q.30 mm
- 3 ways - "T" connection

Colour: Painted

Weight: N.C. Kg

Delivery condition: Available in warehouse



SICUR line coupling Q30

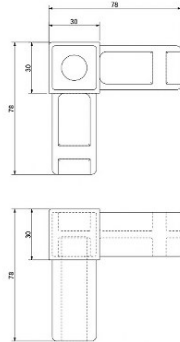
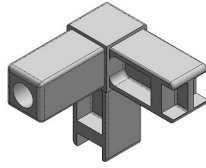
B1050-000053 **NEW** 2800302E3A

Aluminium external coupling Q.30 mm
- 3 ways - 90 degrees angle

Colour: Plasticenter Grey

Weight: N.C. Kg

Delivery condition: Available in
warehouse



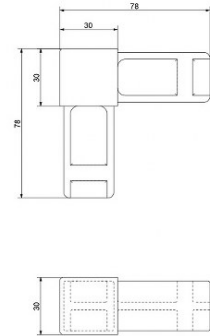
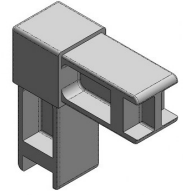
B1050-000051 **NEW** 2800302E2A

Aluminium external coupling Q.30 mm
- 2 ways - 90 degrees angle

Colour: Painted

Weight: N.C. Kg

Delivery condition: Available in
warehouse



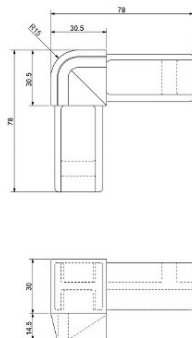
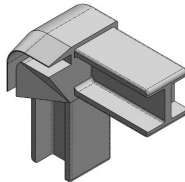
B1050-000049 **NEW** 2800302A2A

SICUR Aluminium external coupling
with corner frame Q.30mm - 2 ways -
90 degrees angle

Colour: Painted

Weight: N.C. Kg

Delivery condition: Available in
warehouse



ARTICULATED FEET

The technical characteristics and sizes of products are indicative as they may vary and be subject to functional changes based on enhancements and production issues, which are the sole responsibility of Lpm Group.

Product technical characteristics

Material:

- Support base: polyamide
- Galvanised steel threaded rod, articulated at the base.

Reinforcement material: fiberglass

Base colour: black

Mechanical characteristics:

- Fatigue strength
- Resistance to wear
- Highly shock-resistant

Capacity: 1000 Kg

Use: when fitting to square tubes it is essential to use the special internally threaded bushings, which are pressed into place.

Max. static load for the foot: 5,500 N

Feet

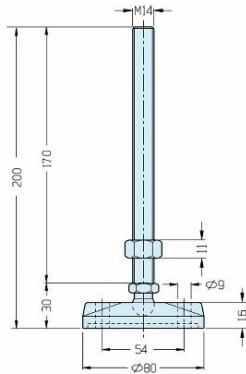
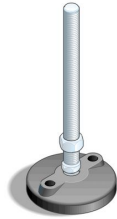
B1050-001229 **NEW**

F21807

Articulated foot that can be fixed to the floor

Colour: black base

Weight: 0.240 Kg



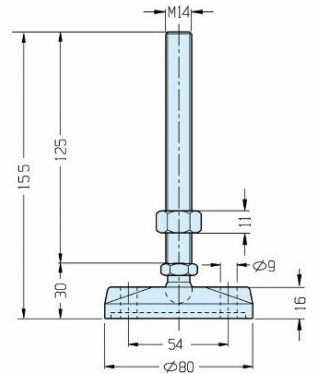
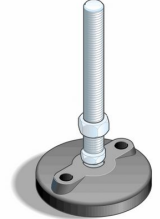
B1050-001227 **NEW**

F21805

Articulated foot that can be fixed to the floor

Colour: black base

Weight: 0.210 Kg



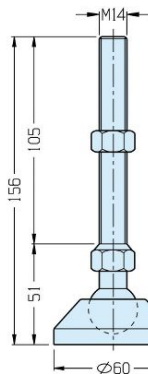
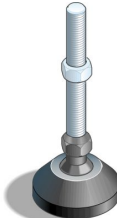
B1050-001226 **NEW**

F21804

Articulated foot

Colour: black base

Weight: 0.200 Kg



SUPPORTS

The "Supports" section includes all the components currently manufactured by **Lpm Group** and available in stock.

All components in this section are in RAL 7039 colour like all the polyamide accessories belonging to **Lpm Group** system. In this case however, as an exception, supports code L15137 and L15131 are made of Amorphous Polyamide "11", because of component use and great aesthetic impact.

The Polyamide Polymer "6" is reinforced with fiberglass and contains a percentage of elastomer which improves its resistance to deformation, without making it elastic, and avoiding the resulting brittle fracture.

The technical characteristics and sizes of products are indicative as they may vary and be subject to functional changes based on enhancements and production issues, which are the sole responsibility of Lpm Group.

Product technical characteristics

Structure: partially crystalline thermoplastic material

Reinforcement material: fiberglass

Colour:

- RAL 7039
- Code L15137 and Code L15131: Transparent

Mechanical characteristics:

- Resistance to wear
- Highly shock-resistant
- Good resistance to ageing

Electrical characteristics: good resistance to contact current

Thermal characteristics: VICAT (softening point) 215°C

Resistant to:

- Hydrocarbons
- Petrol
- Oil and grease
- Alkaline solutions in general

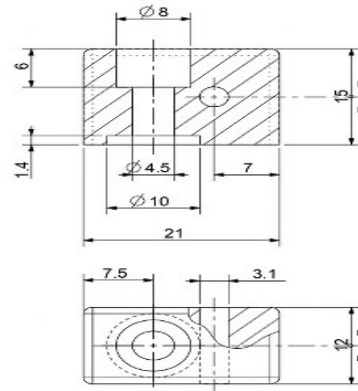
Food Compatibility: To be verified depending on applications

Supply conditions: In a package only where indicated on the specific component

Trasparent glass fiber block for removable panel

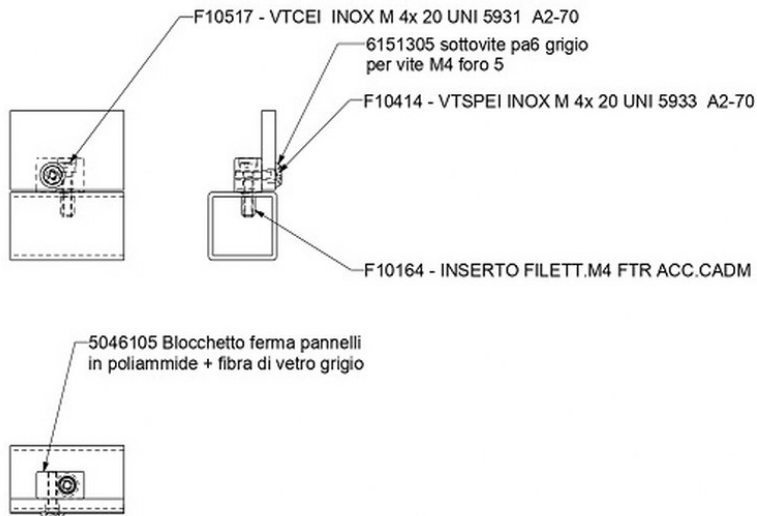
B1010-000147 **NEW**

5046105T



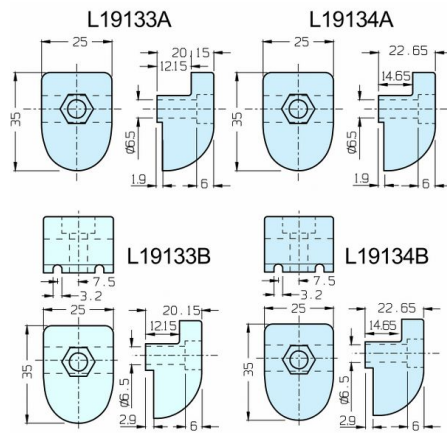
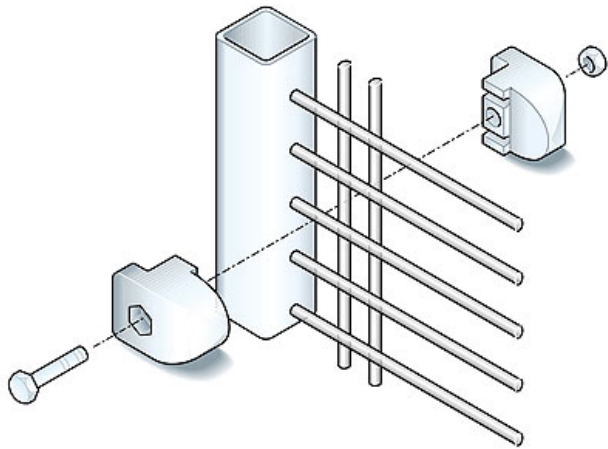
Fixed/removable sheet Trogamid support
 Dimension: 18x12x15mm
 Weight: 0.025 Kg
 Finish: Trasparent

Assembly example



Mesh clamps

L19134



Polyamide (with fiberglass) clamp for mesh locking.

Color: RAL 7039

Weight: 0.030 kg

The distance of 10 mm of the panel from the profile makes the protection completely washable.

Code	New Code	Use	Code profile
L19133A + L19133B	B1050-001953 + B1050-001954	Type 1	A 40709
L19134A + L19134B	B1050-001955 + B1050-001956	Type 1	A 40710
L19133B + L19133B	B1050-001954 + B1050-001954	Type 2	A 40709
L19134B + L19134B	B1050-001956 + B1050-001956	Type 2	A 40710

Parts



Cod. L19133A
B1050-001953 **NEW**
Support for panel blocking



Cod. L19133B
B1050-001954 **NEW**
Support for panel blocking



Cod. L19134A
B1050-001955 **NEW**
Support for panel blocking



Cod. L19134B
B1050-001956 **NEW**
Support for panel blocking



Cod. F10541
B1080-001175 **NEW**
Stainless steel socket head cap screw M6x40

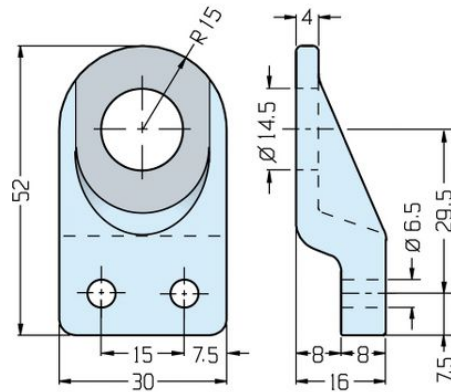
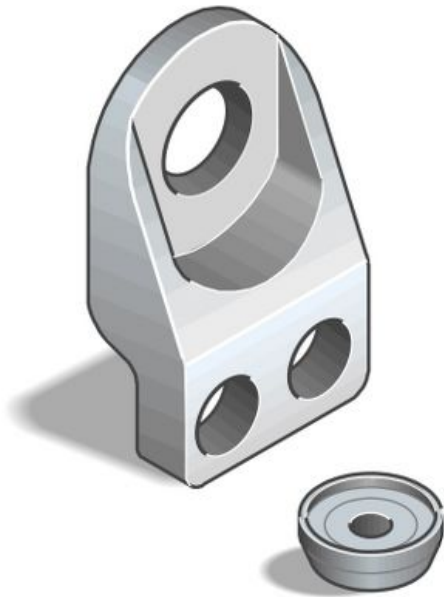


Cod. F11956
B1080-000814 **NEW**
Stainless steel hex. nut M6

Magnet support D14

B1050-001961 NEW

L19162



Magnet support D14 complete with magnetic striker
Weight: 0.014 kg
Finish: colour RAL 7039

Parts



Cod. **F10166**
 B1080-001067 **NEW**
 M6 threaded insert



Cod. **F10538**
 B1080-000445 **NEW**
 Stainless steel socket
 head cap screw M6x20
 T=4



Cod. **F10164**
 B1080-001065 **NEW**
 M4 threaded insert

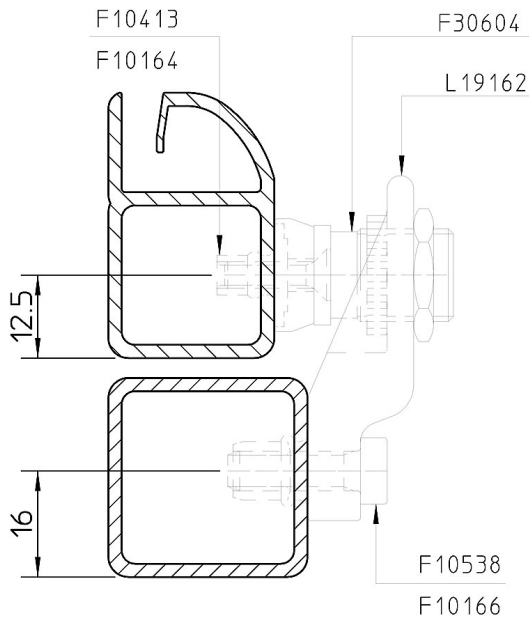


Cod. **F10413**
 B1080-001124 **NEW**
 Stainless steel
 countersunk socket
 screw M4x16



Cod. **F30604**
 B1050-000812 **NEW**
 Magnet complete with
 counter-magnet and
 ring nuts

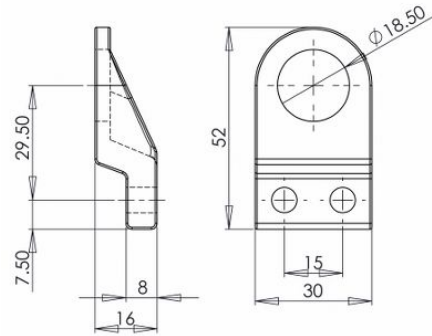
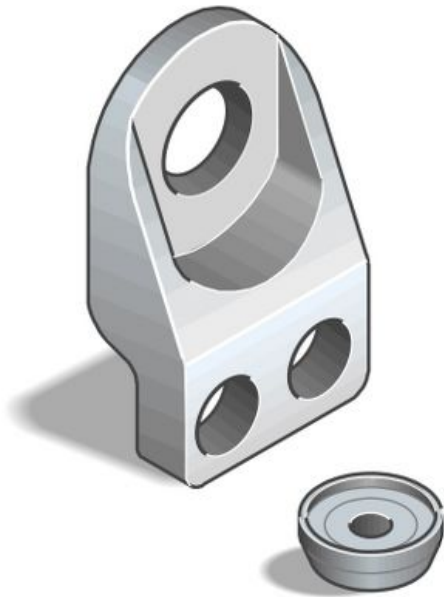
Assembly example



Magnet support D18

B1050-000163 NEW

L19168



Magnet support D18 complete with magnetic striker
Weight: 0.013 kg
Finish: colour RAL 7039

Parts



Cod. **F10166**
 B1080-001067 **NEW**
 M6 threaded insert



Cod. **F10538**
 B1080-000445 **NEW**
 Stainless steel socket
 head cap screw M6x20
 T=4



Cod. **F10164**
 B1080-001065 **NEW**
 M4 threaded insert

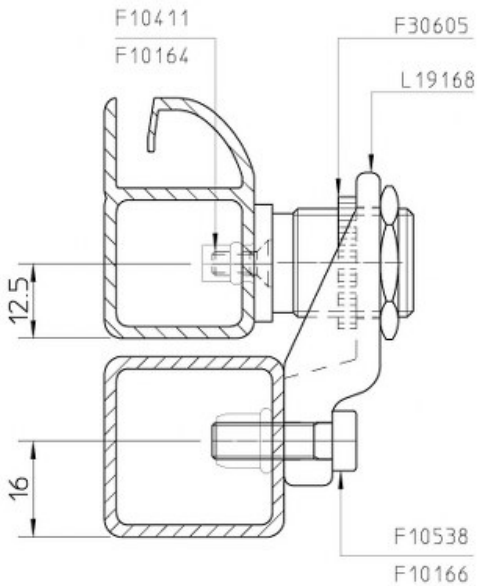


Cod. **F10413**
 B1080-001124 **NEW**
 Stainless steel
 countersunk socket
 screw M4x16



Cod. **F30605**
 B1050-000813 **NEW**
 Magnet complete with
 counter-magnet and
 ring nuts

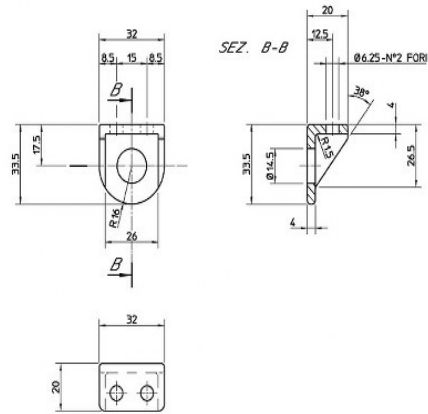
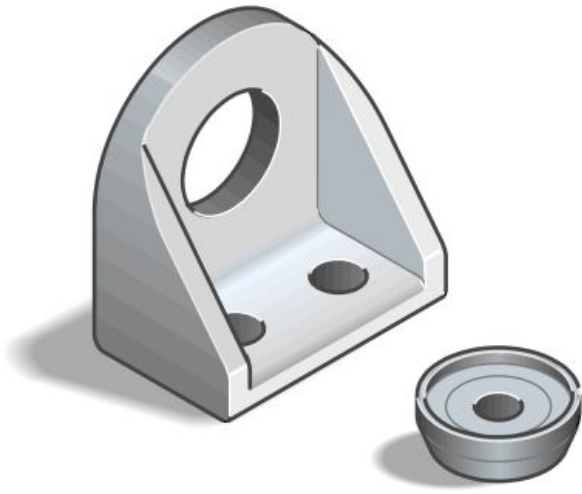
Assembly example



Magnet support D14, 90°

B1050-001964 NEW

L19165



Magnet support D14, 90°, complete with magnetic striker
 Weight: 0.009 kg
 Finish: colour RAL 7039

Parts



Cod. **F10166**
 B1080-001067 **NEW**
 M6 threaded insert



Cod. **F10538**
 B1080-000445 **NEW**
 Stainless steel socket
 head cap screw M6x20
 T=4



Cod. **F10164**
 B1080-001065 **NEW**
 M4 threaded insert

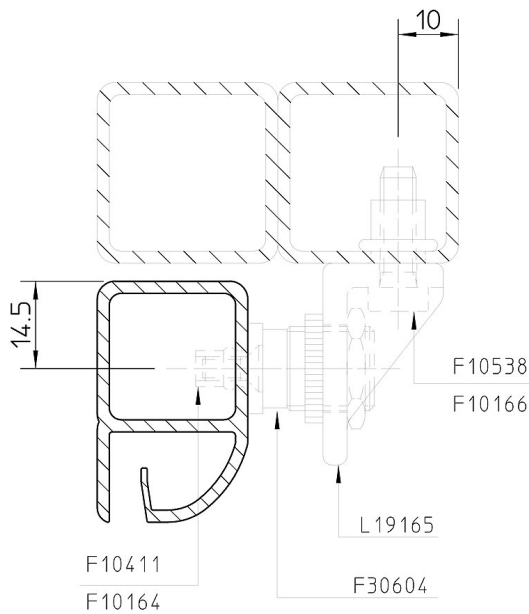


Cod. **F10413**
 B1080-001124 **NEW**
 Stainless steel
 countersunk socket
 screw M4x16



Cod. **F30604**
 B1050-000812 **NEW**
 Magnet complete with
 counter-magnet and
 ring nuts

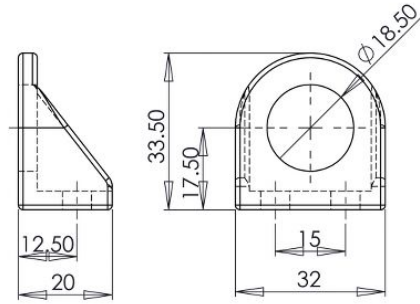
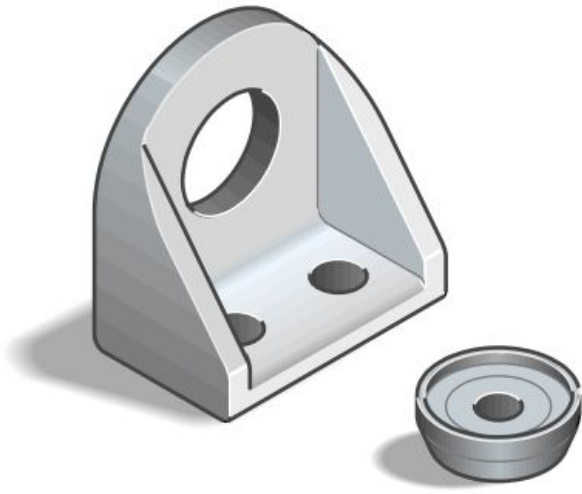
Assembly example



Magnet support D18, 90°

B1050-001968 NEW

L19169



Magnet support D18, 90°, complete with magnetic striker
 Weight: 0.008 kg
 Finishing: colour RAL 7039

Parts



Cod. **F10166**
 B1080-001067 **NEW**
 M6 threaded insert



Cod. **F10538**
 B1080-000445 **NEW**
 Stainless steel socket head cap screw M6x20 T=4



Cod. **F10164**
 B1080-001065 **NEW**
 M4 threaded insert

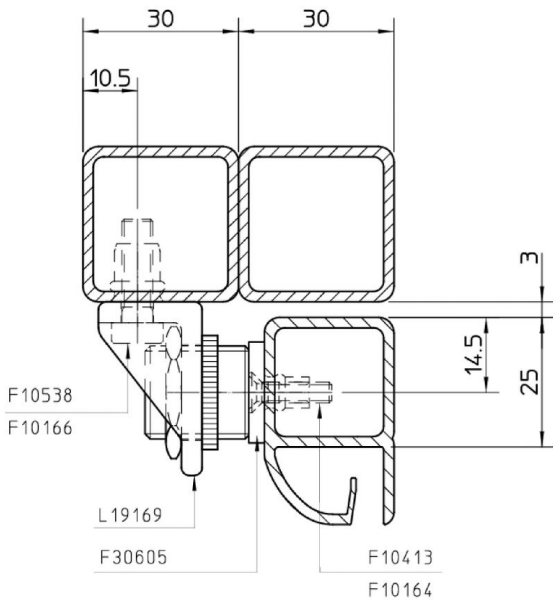


Cod. **F10413**
 B1080-001124 **NEW**
 Stainless steel countersunk socket screw M4x16



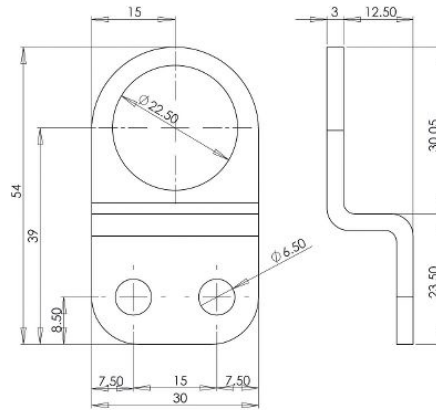
Cod. **F30605**
 B1050-000813 **NEW**
 Magnet complete with counter-magnet and ring nuts

Assembly example



Stainless steel magnet support D22

B1010-093812 NEW 1C0200250034



Stainless steel magnet support D22

Parts



Cod. **F10166**
B1080-001067 **NEW**
M6 threaded insert

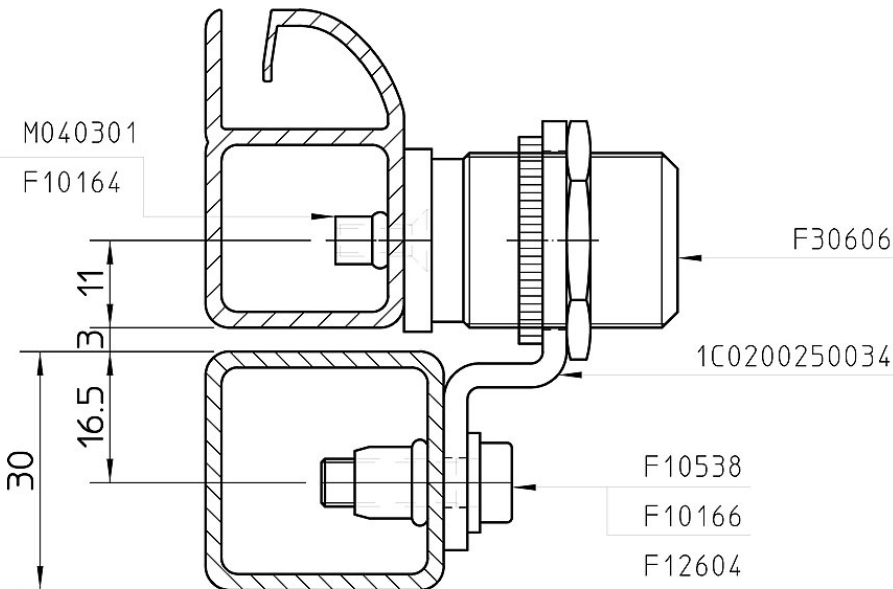


Cod. **F10538**
B1080-000445 **NEW**
Stainless steel socket
head cap screw M6x20
T=4



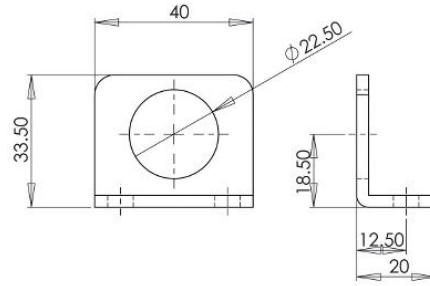
Cod. **F30606**
B1050-000815 **NEW**
Magnet complete with
counter-magnet and
ring nuts

Assembly example



Stainless steel magnet support D22, 90°

B1010-093817 NEW 1C0200250105



Stainless steel magnet support D22, 90°

Parts



Cod. **F10166**
B1080-001067 **NEW**
M6 threaded insert

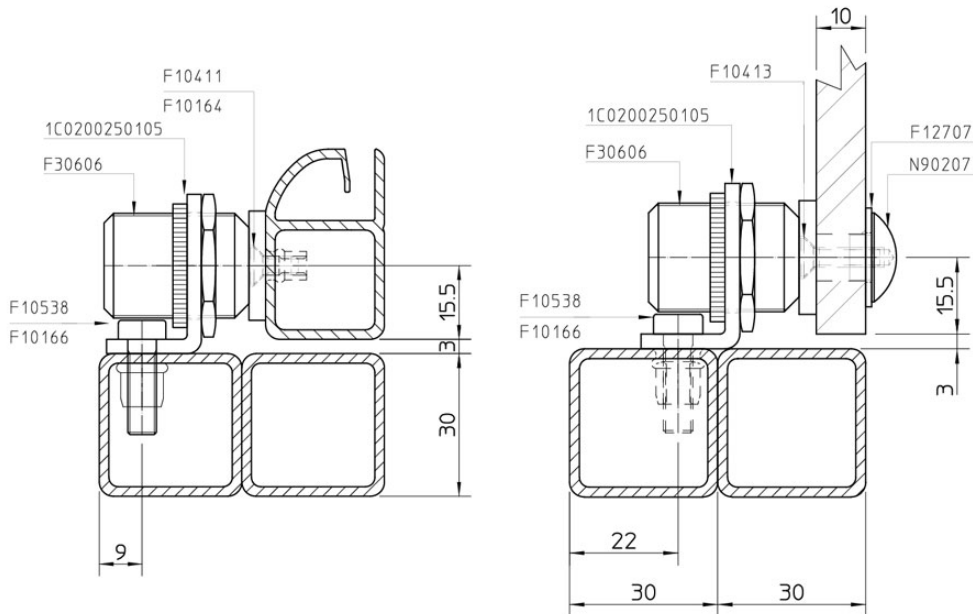


Cod. **F10538**
B1080-000445 **NEW**
Stainless steel socket head cap screw M6x20 T=4



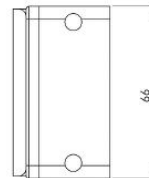
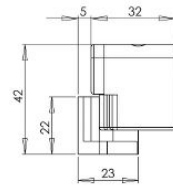
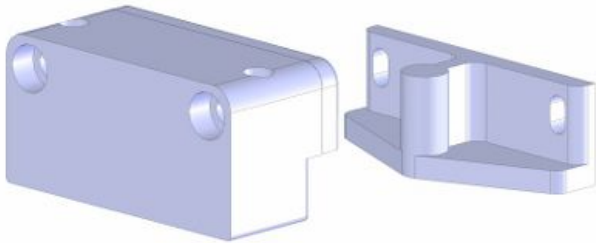
Cod. **F30606**
B1050-000815 **NEW**
Magnet complete with counter-magnet and ring nuts

Assembly example



Adjustable snap closing for door

B1050-000790 NEW L19171



Adjustable snap closing for door
Finish: colour RAL 7039

Parts



Cod. **F10164**
B1080-001065 **NEW**
M4 threaded insert



Cod. **F10166**
B1080-001067 **NEW**
M6 threaded insert



Cod. **F10541**
B1080-001175 **NEW**
Stainless steel socket
head cap screw M6x40



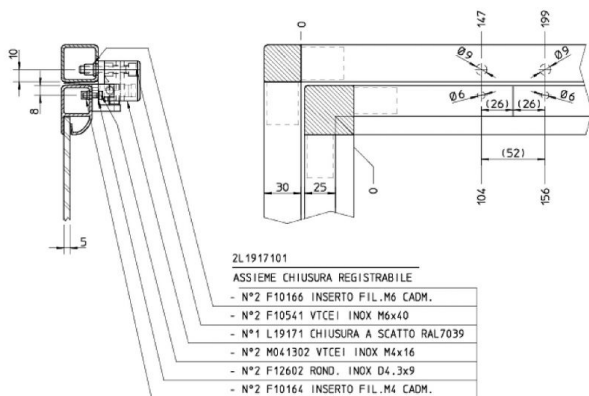
Cod. **F12602**
B1080-001276 **NEW**
Stainless steel washer
D4.3x9



Cod. **M041302**
Stainless steel
socket head cap
screw M4x16 T=2

Assembly example

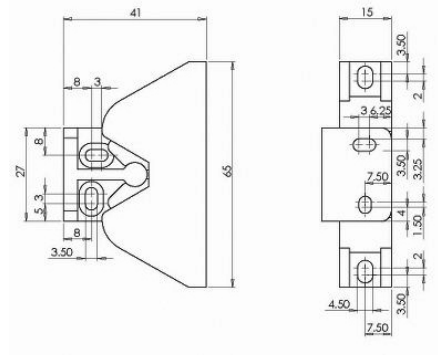
- Montaggio CHIUSURA A SCATTO 1 ANTA S/G



Spring catch

B1050-001335 NEW

F30302



Spring catch
Weight: 0.021 kg
Finish: RAL7039 colour

Parts



Cod. **F10164**
 B1080-001065 **NEW**
 M4 threaded insert



Cod. **F10405**
 B1080-000636 **NEW**
 Stainless steel countersunk socket screw M3x12



Cod. **F10511**
 B1080-000411 **NEW**
 Stainless steel socket head cap screw M4x10

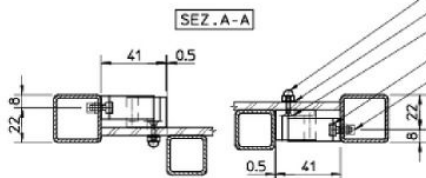
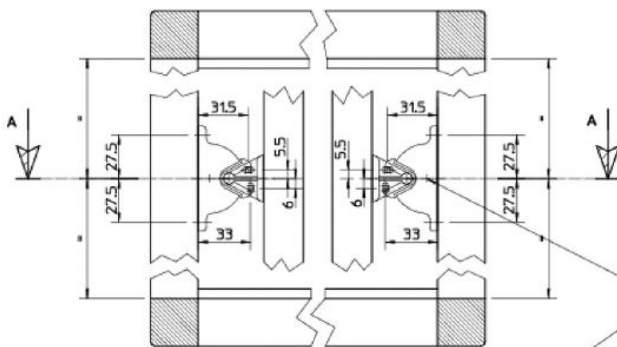


Cod. **F11702**
 B1080-001267 **NEW**
 Stainless steel blind nut M3



Cod. **F12601**
 B1080-001275 **NEW**
 Stainless steel washer D3.2x7

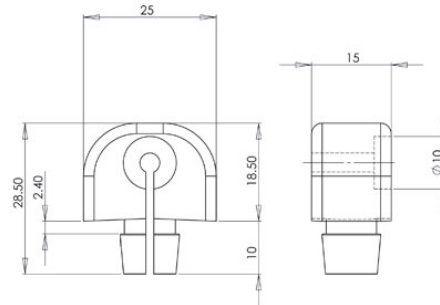
Assembly example



- 2F3030201
 INS. MOSCHETT. A SCATTO MONT/LASTRA
- N°1 F30302 MOSCHETT. A SCATTO ART. 1504-FB
 - N°2 F11702 DADO CIECO INOX M 3 UNI 5721
 - N°2 F12601 ROND. INOX D. 3.2x 7 UNI 6592 (a)
 - N°2 F10405 VTSPEI INOX M 3x 12 UNI 5933
 - N°2 F10511 VTCEI INOX M 4x 10 UNI 5931
 - N°2 F10164 INSERTO FILETT. M4 FTR ACC. CADM

Fixed/removable sheet support

B1050-000154 NEW **L15137**



Fixed/removable sheet polyamide (amorphous) support
 Weight: 0.005 Kg
 Finish: transparent

Parts



Cod. F12749
 B1080-001296 **NEW**
 D5/13 neutral screw
 under-support



Cod. F10386
 B1080-001116 **NEW**
 Cheese-headed screw
 4.8 x 19.1



Cod. F12753
 B1080-001299 **NEW**
 Washer to make
 captive screw F10386

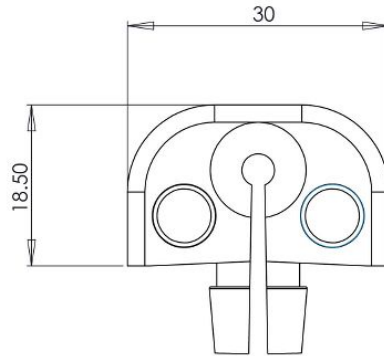
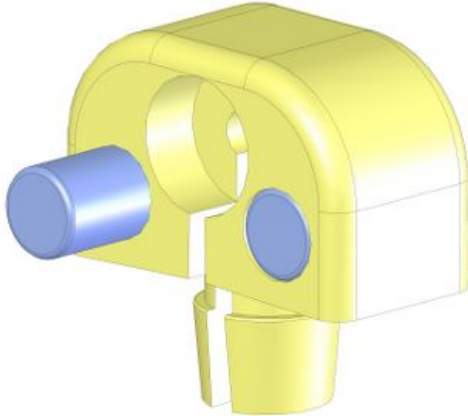
Assembly example

Montaggio SUPPORTO FISSO ASPORTABILE H/18 POLIAMMIDE					
PROFILO Q30	PROFILO Q25				
<p>2L1513701 LASTRE SP. 5 - 6 - 8</p> <p>2L1513701 SUPPORTO FISSO ASPORTABILE - N°1 L15137 SUPPORTO FISSO ASP.H/18 - N°1 F12753 RONDELLA PER VITE IMPERDIBILE (011) - N°1 F12749 SOTTONVITE NEUTRA D15x0x13 - N°1 F10386 VTC 4.8x19.1 INOX</p>	<p>2L1513701 LASTRE SP. 5 - 6 - 8</p> <p>2L1513701 SUPPORTO FISSO ASPORTABILE - N°1 L15137 SUPPORTO FISSO ASP.H/18 - N°1 F12753 RONDELLA PER VITE IMPERDIBILE (011) - N°1 F12749 SOTTONVITE NEUTRA D15x0x13 - N°1 F10386 VTC 4.8x19.1 INOX</p>				
<p>2L1513702 LASTRE SP. 10</p> <p>2L1513702 SUPPORTO FISSO ASPORTABILE - N°1 L15137 SUPPORTO FISSO ASP.H/18 - N°1 F12753 RONDELLA PER VITE IMPERDIBILE (011) - N°1 F12749 SOTTONVITE NEUTRA D15x0x13 - N°1 F10387 VTC 4.8x22.2 INOX</p>	<p>2L1513702 LASTRE SP. 10</p> <p>2L1513702 SUPPORTO FISSO ASPORTABILE - N°1 L15137 SUPPORTO FISSO ASP.H/18 - N°1 F12753 RONDELLA PER VITE IMPERDIBILE (011) - N°1 F12749 SOTTONVITE NEUTRA D15x0x13 - N°1 F10387 VTC 4.8x22.2 INOX</p>				
<p>MONTAGGIO LASTRA PER FIS.ASP. ...nrq1005_01</p>					
<table border="1"> <tr> <td>MILPASS</td> <td>nrq1005_04_00</td> </tr> <tr> <td>2023-02-08</td> <td>2023-02-08</td> </tr> </table>		MILPASS	nrq1005_04_00	2023-02-08	2023-02-08
MILPASS	nrq1005_04_00				
2023-02-08	2023-02-08				

Fixed/removable sheet support with ejector

B1050-001794 **NEW**

L15138



Fixed/removable sheet polyamide (amorphous) support with ejector

Finishing: trasparente

Weight: 0,009 Kg

Parts



Cod. F12749
B1080-001296 **NEW**
D5/13 neutral screw
under-support



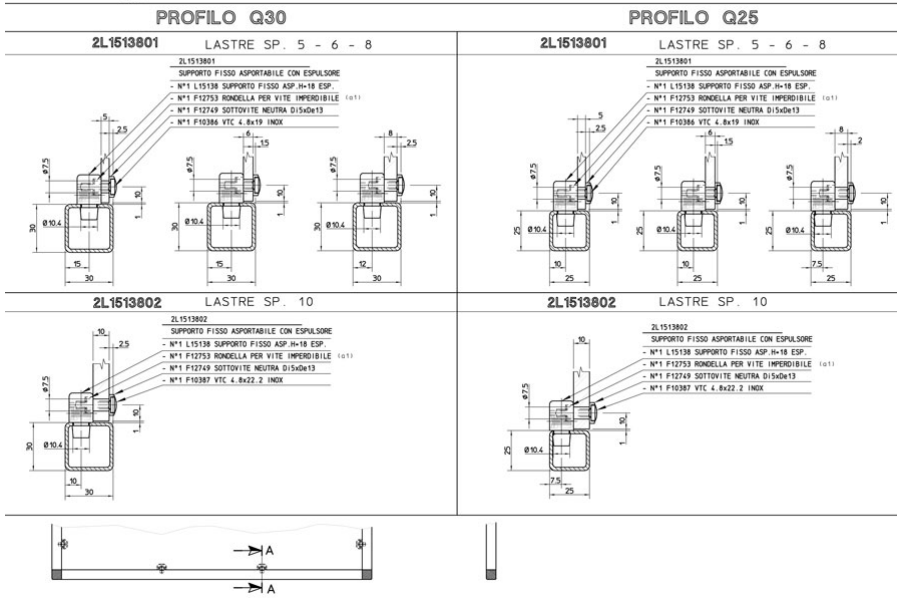
Cod. F10386
B1080-001116 **NEW**
Cheese-headed screw
4.8 x 19.1



Cod. F12753
B1080-001299 **NEW**
Washer to make
captive screw F10386

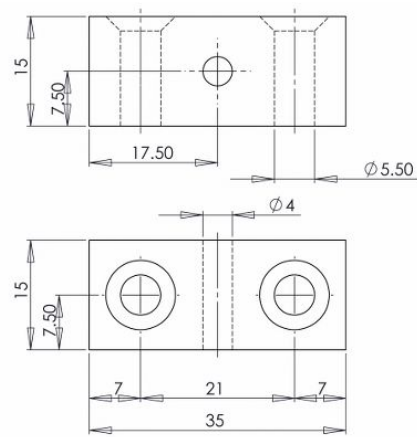
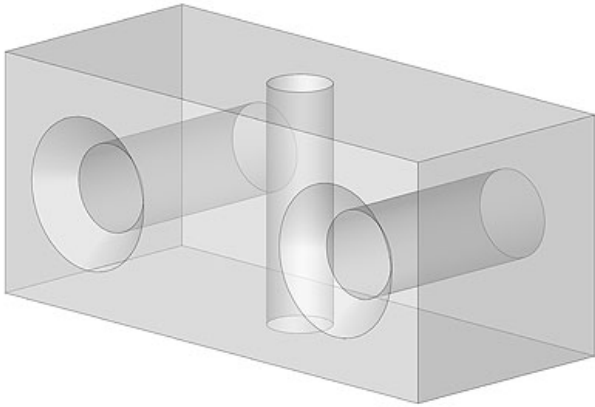
Assembly example

Montaggio SUPPORTO FISSO ASPORTABILE CON ESPULSORE H/18 POLIAMMIDE



Fixed/removable sheet polycarbonate support

B1050-000152 NEW **L15131**



Fixed/removable sheet polycarbonate support
Dimension: 15x15x35mm
Weight: 0.025 Kg
Finish: transparent

Parts



Cod. **F11704**
 B1080-001269 **NEW**
 Stainless steel blind
 nut M5



Cod. **F12603**
 B1080-001277 **NEW**
 Stainless steel washer
 D5.3x10

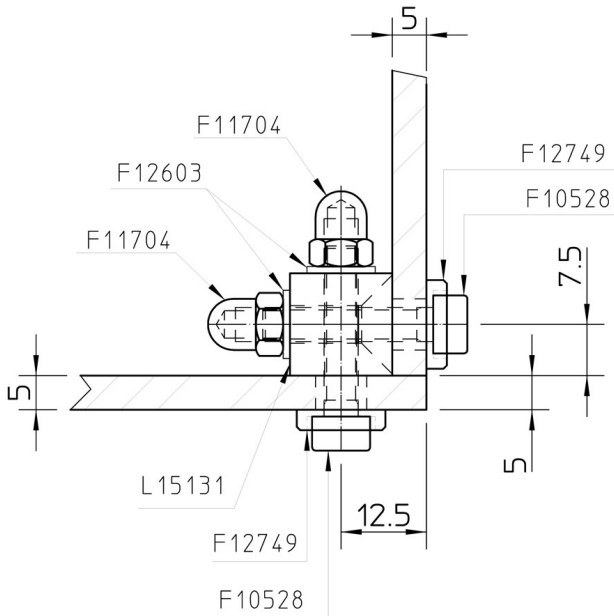


Cod. **F12749**
 B1080-001296 **NEW**
 D5/13 neutral screw
 under-support



Cod. **F10528**
 B1080-001169 **NEW**
 Stainless steel socket
 head screw VTCEI
 M5x25

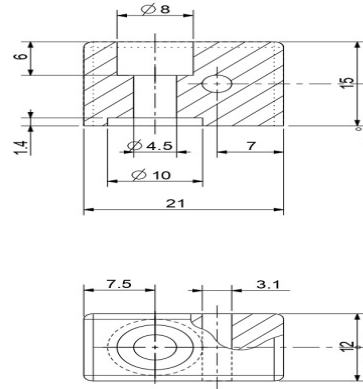
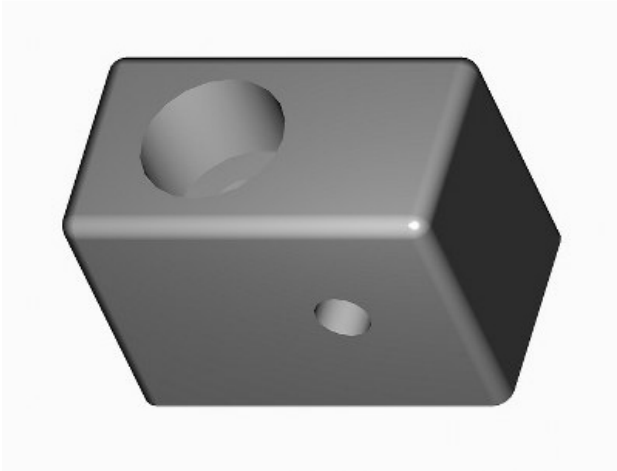
Assembly example



■ Gley glass fiber block for removable panel

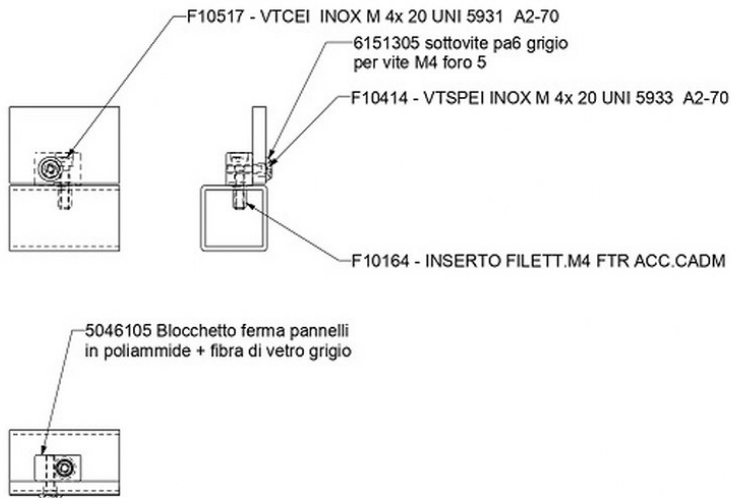
B1050-000981 NEW

5046105



Fixed/removable sheet amorphous polyamide support
 Dimension: 18x12x15mm
 Weight: 0.025 Kg
 Finish: natural grey

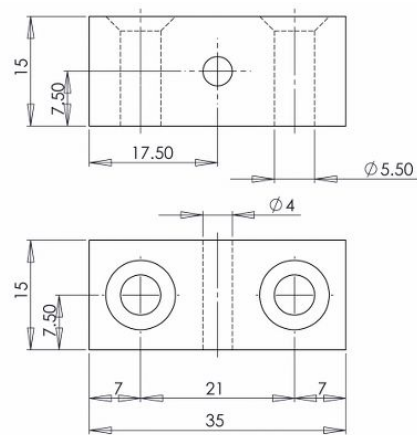
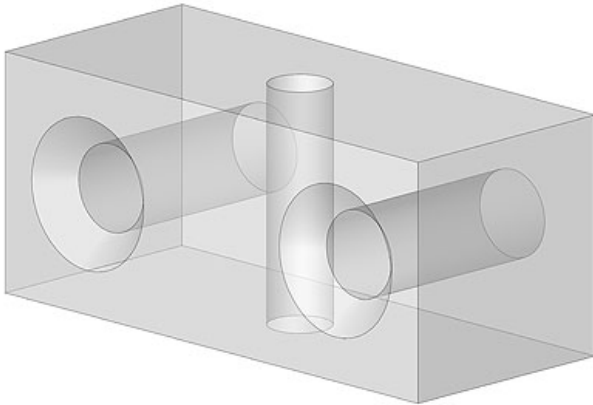
Assembly example



Fixed/removable sheet polyamide support

B1050-000153 NEW

L15131A



Fixed/removable sheet polyamide support

Dimension: 15x15x35mm

Weight: 0.025 Kg

Finish: Colored RAL7039

Status: Not available in warehouse. Minimum order 2000 pieces

Parts



Cod. F11704
B1080-001269 NEW
Stainless steel blind
nut M5



Cod. F12603
B1080-001277 NEW
Stainless steel washer
D5.3x10



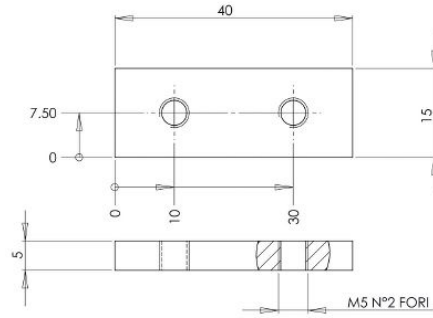
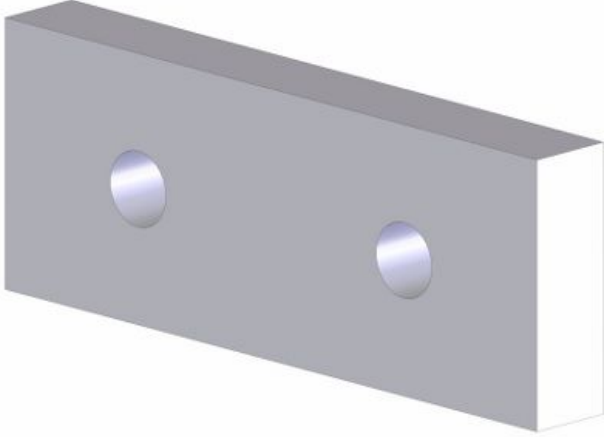
Cod. F12749
B1080-001296 NEW
D5/13 neutral screw
under-support



Cod. F10528
B1080-001169 NEW
Stainless steel socket
head screw VTCE1
M5x25

Supports for fixed/removable sheets

B1010-093703 **NEW** **1A0200340112**



Connection and stiffener support for fixed/removable sheets.
Material: aluminium
Surface finish: shot peening

Plate supports

B1050-001792 **NEW**

L15136

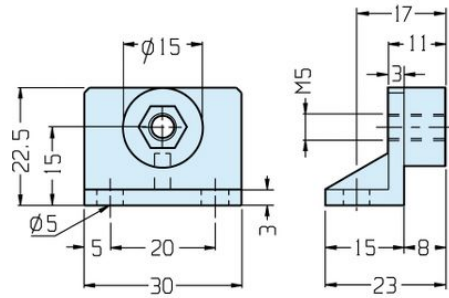
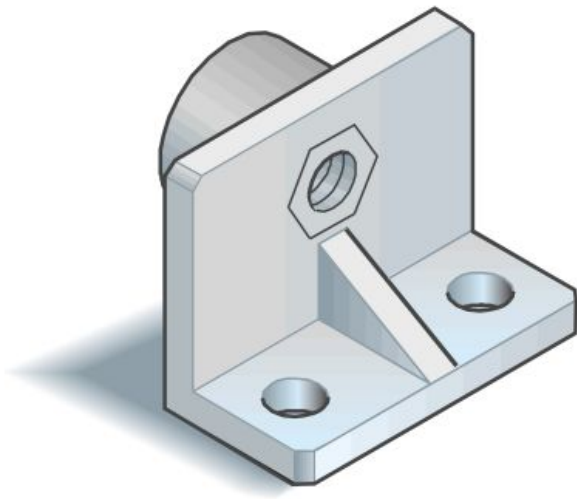


Plate support complete with M5 metal insert
 Weight: 0.007 kg
 Finish: colour RAL 7001

Parts

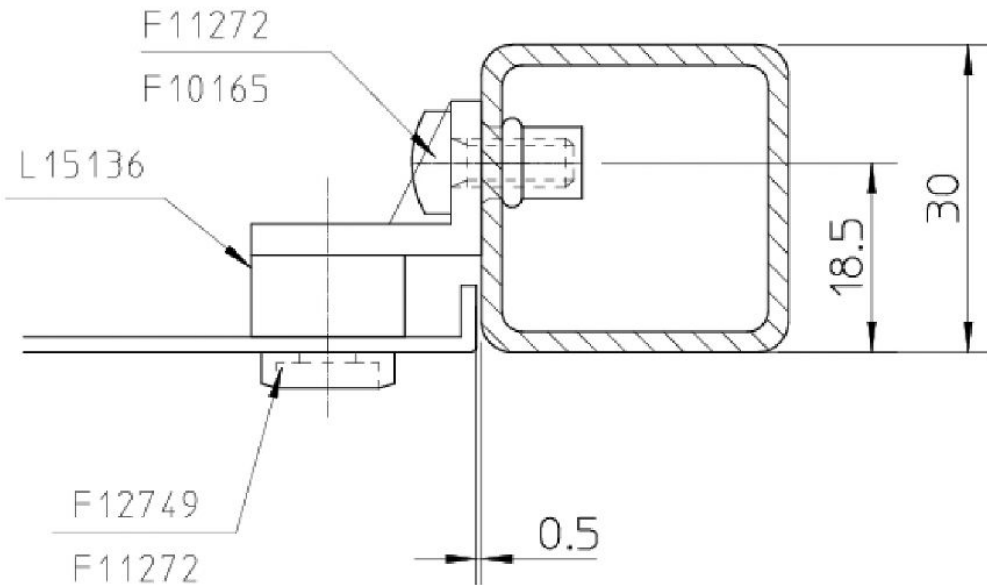


Cod. **F11272**
 B1080-001247 **NEW**
 Stainless steel
 cross/cheese-headed
 screw M5x12



Cod. **F12749**
 B1080-001296 **NEW**
 D5/13 neutral screw
 under-support

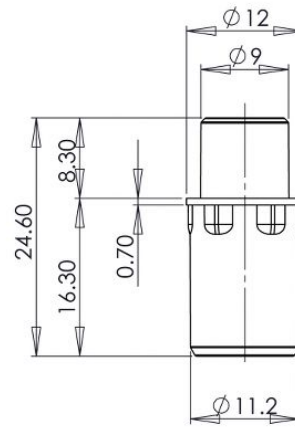
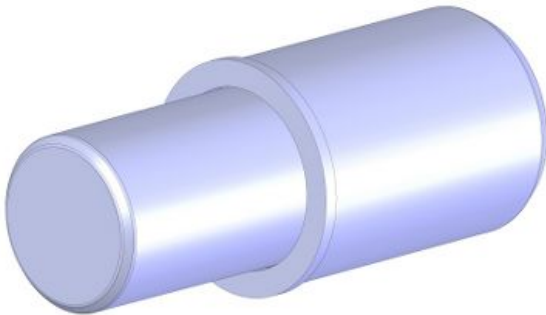
Assembly example



Ejector

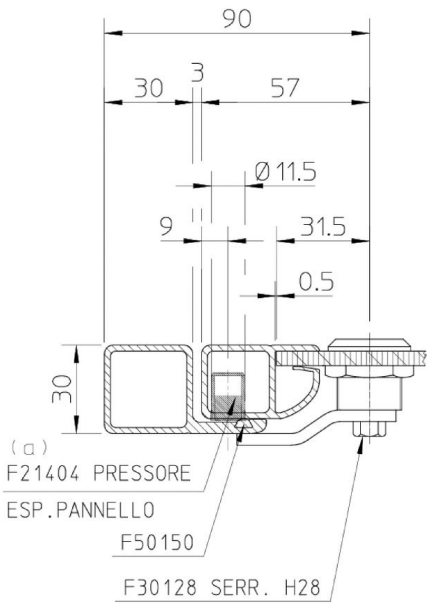
B1050-001205 NEW

F21404



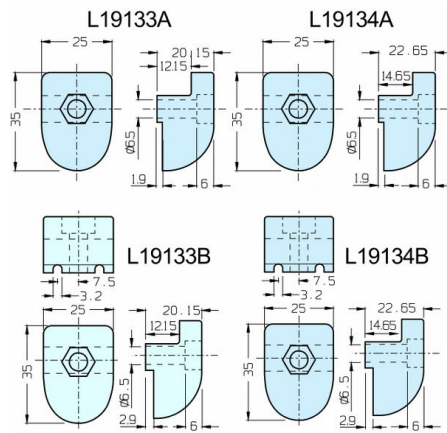
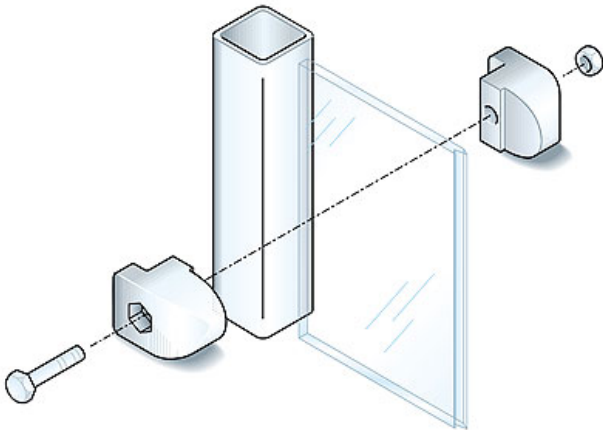
Fixed ejector with key

Assembly example



Sheet clamps

L19133



Polyamide (with fiberglass) clamp for sheet locking.

Color: RAL 7039

Weight: 0.030 kg

The distance of 10 mm of the panel from the profile makes the protection completely washable.

Code	New Code	Use	Code profile
L19133A + L19133A	B1050-001953 + B1050-001953	Sheet sp. 4	A 40709
L19134A + L19134A	B1050-001955 + B1050-001955	Sheet sp. 4	A 40710
L19133A + L19133B	B1050-001953 + B1050-001954	Sheet sp. 5	A 40709
L19134A + L19134B	B1050-001955 + B1050-001956	Sheet sp. 5	A 40710
L19133B + L19133B	B1050-001954 + B1050-001954	Sheet sp. 6	A 40709
L19134B + L19134B	B1050-001956 + B1050-001956	Sheet sp. 6	A 40710

Parts



Cod. L19133A
B1050-001953 **NEW**
Support for panel blocking



Cod. L19133B
B1050-001954 **NEW**
Support for panel blocking



Cod. L19134A
B1050-001955 **NEW**
Support for panel blocking



Cod. L19134B
B1050-001956 **NEW**
Support for panel blocking



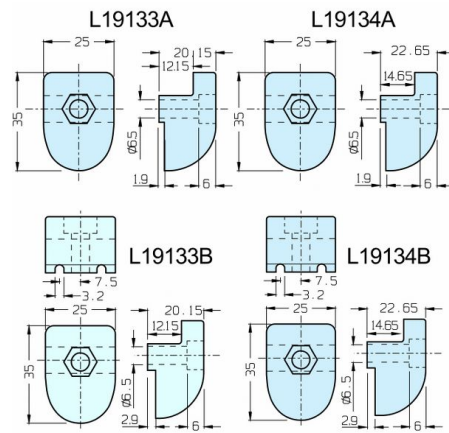
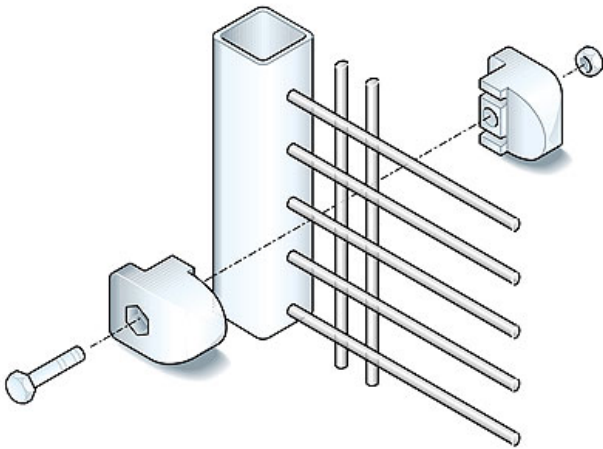
Cod. F10541
B1080-001175 **NEW**
Stainless steel socket head cap screw M6x40



Cod. F11956
B1080-000814 **NEW**
Stainless steel hex. nut M6

Mesh clamps

L19134



Polyamide (with fiberglass) clamp for mesh locking.

Color: RAL 7039

Weight: 0.030 kg

The distance of 10 mm of the panel from the profile makes the protection completely washable.

Code	New Code	Use	Code profile
L19133A + L19133B	B1050-001953 + B1050-001954	Type 1	A 40709
L19134A + L19134B	B1050-001955 + B1050-001956	Type 1	A 40710
L19133B + L19133B	B1050-001954 + B1050-001954	Type 2	A 40709
L19134B + L19134B	B1050-001956 + B1050-001956	Type 2	A 40710

Parts



Cod. L19133A
B1050-001953 **NEW**
Support for panel blocking



Cod. L19133B
B1050-001954 **NEW**
Support for panel blocking



Cod. L19134A
B1050-001955 **NEW**
Support for panel blocking



Cod. L19134B
B1050-001956 **NEW**
Support for panel blocking



Cod. F10541
B1080-001175 **NEW**
Stainless steel socket head cap screw M6x40

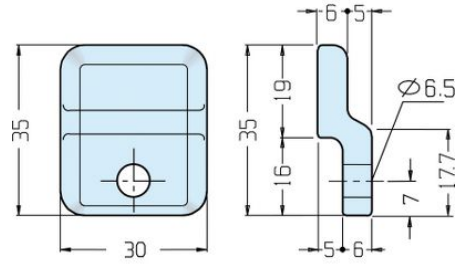
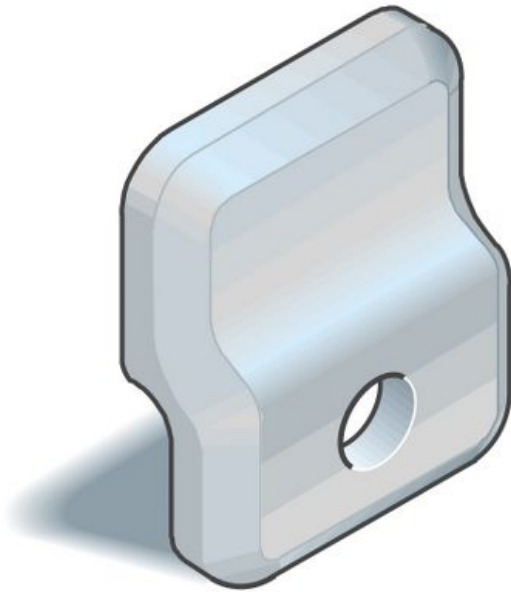


Cod. F11956
B1080-000814 **NEW**
Stainless steel hex. nut M6

Large door stop

B1050-001958 **NEW**

L19153



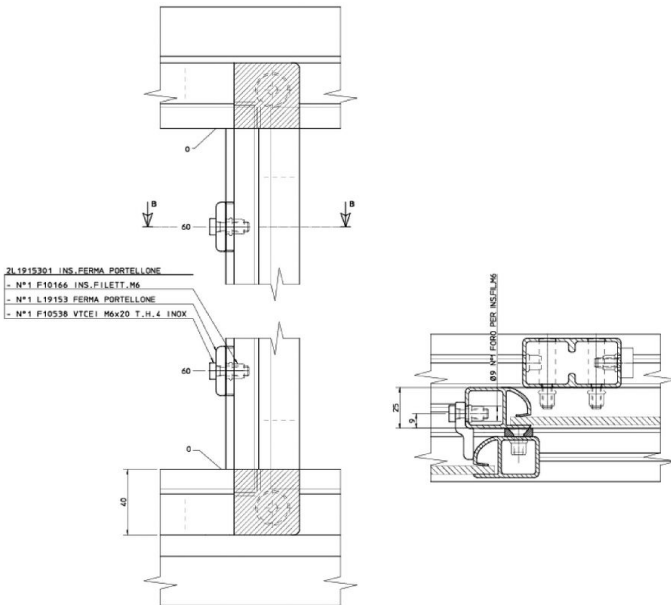
Polyamide large door stop
 Weight: 0.009 kg
 Finish: colour RAL 7039

Parts



Cod. **F10538**
B1080-000445 **NEW**
 Stainless steel socket
 head cap screw M6x20
 T=4

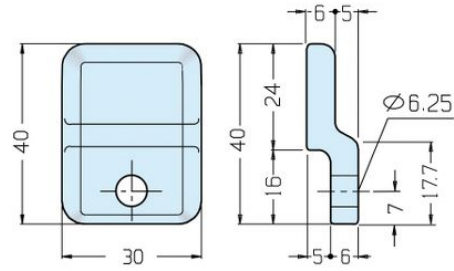
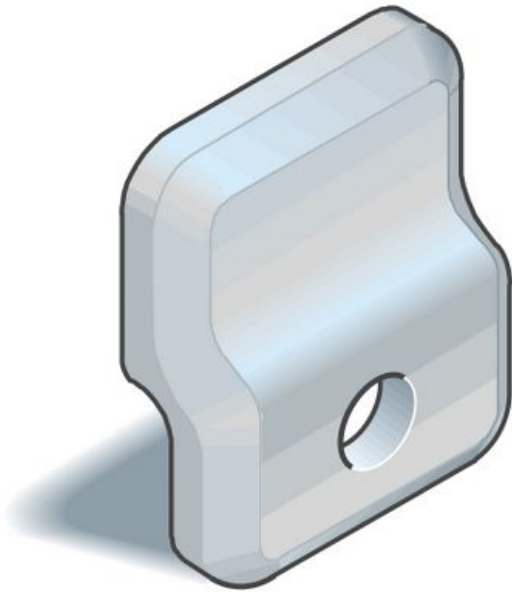
Assembly example



Large door long stop

B1050-001959 **NEW**

L19155



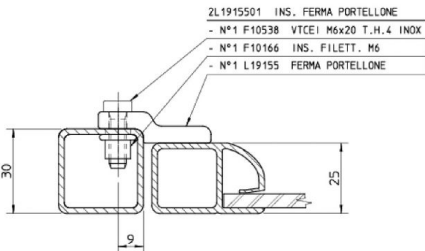
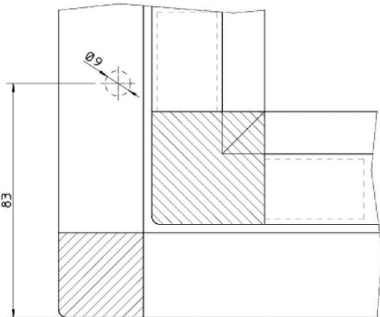
Polyamide large door long stop
 Weight: 0.010 kg
 Finish: colour RAL 7039

Parts



Cod. **F10538**
B1080-000445 **NEW**
 Stainless steel socket
 head cap screw M6x20
 T=4

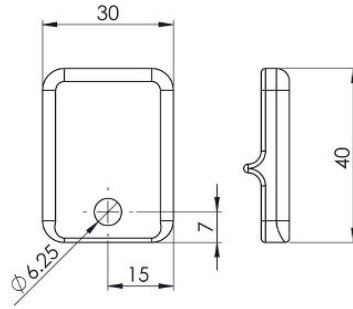
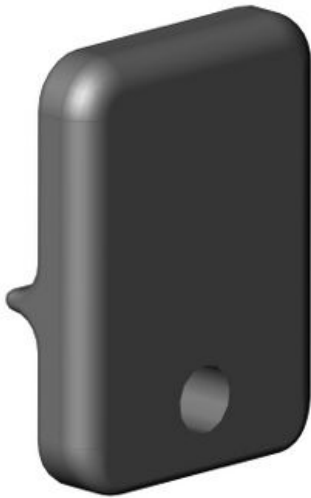
Assembly example



Large door linear stop

B1050-001960 **NEW**

L19156



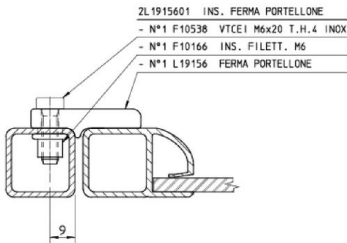
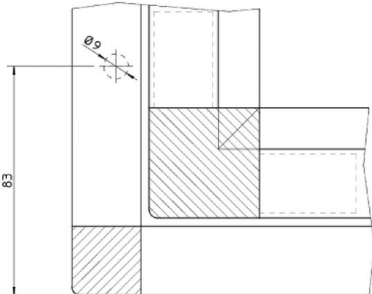
Polyamide large door linear stop
 Weight: 0.010 kg
 Finish: colour RAL 7039

Parts



Cod. **F10538**
B1080-000445 **NEW**
 Stainless steel socket
 head cap screw M6x20
 T=4

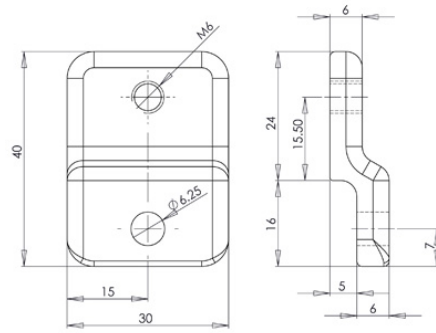
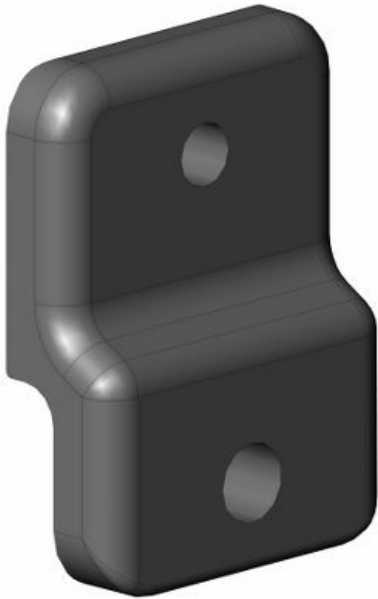
Assembly example



Stop for fixed removable panel with key, screwed in place

B1050-002117 NEW

N40140



Stop for fixed removable panel with key, screwed in place

Material: polyamide

Colour: RAL 7039

Delivery condition: in stock

Note: If fitted with F11303 or special screws it may prevent, in most cases, the use of a microswitch. It ensures a higher safety than key.

Parts

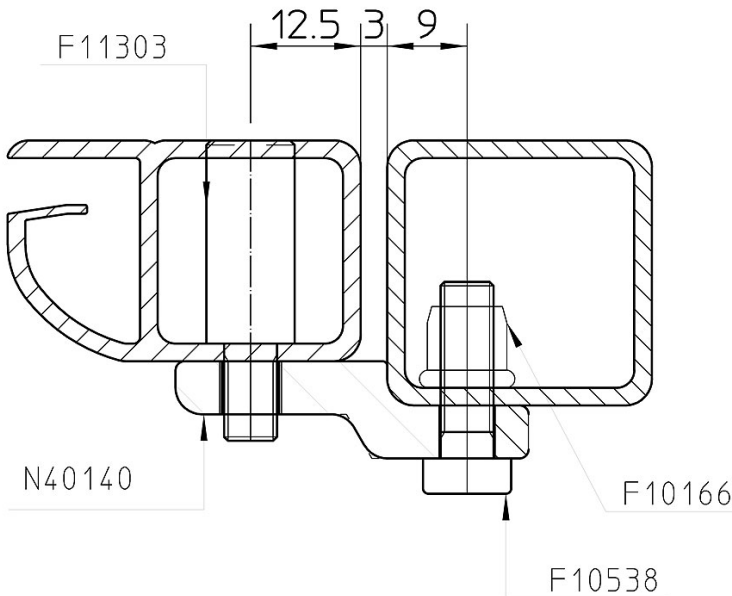


Cod. F10538
B1080-000445 **NEW**
Stainless steel socket
head cap screw M6x20
T=4



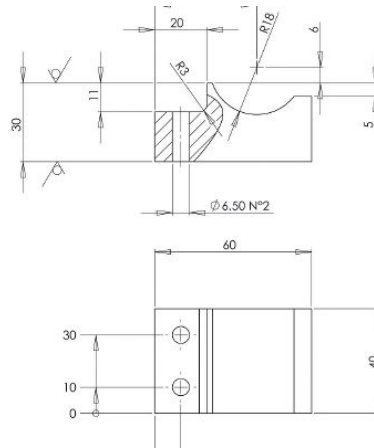
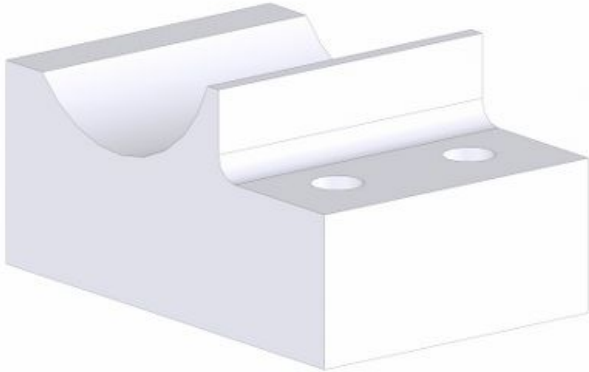
Cod. F11303
B1080-000209 **NEW**
Captive screw M6 x 11
T.H. 23mm

Assembly example



Large door stiffener supports

B1050-002110 **NEW** **N40131**



Central stiffener support to prevent large door bending
 Material: Polizene 1000
 Color: white

Parts

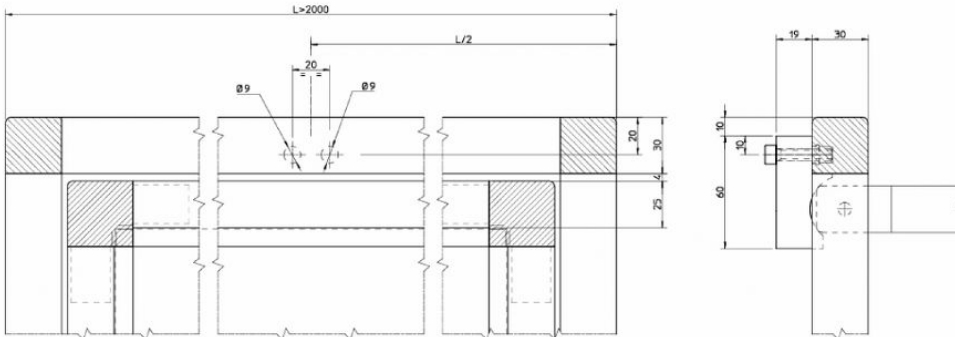


Cod. **F10166**
 B1080-001067 **NEW**
 M6 threaded insert

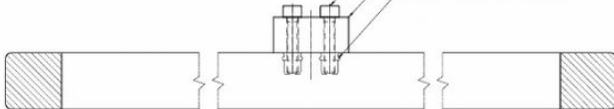


Cod. **F10540**
 B1080-000447 **NEW**
 Stainless steel socket
 head cap screw M6x30

Assembly example

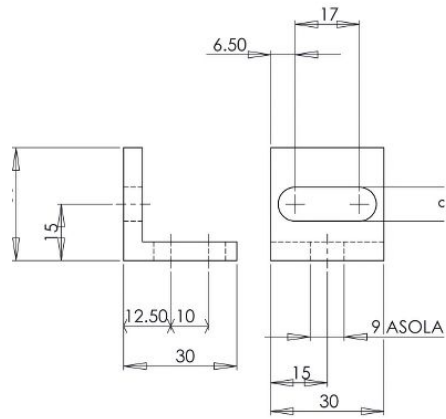
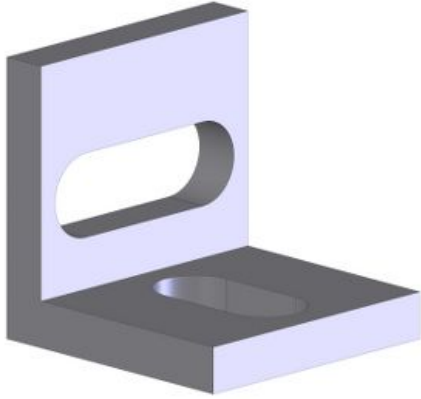


- 2N4013101**
 GRUPPO SOSTEGNO CENTR. PORTELLONE
 - N°2 F10540 VTCEI INOX M6x30 UNI 5931
 - N°1 N40131 SUPPORTO SOST. PORTELLONE
 - N°2 F10166 INSERTO FIL. M6 FTR ACC. CADM



Aluminum fastening supports

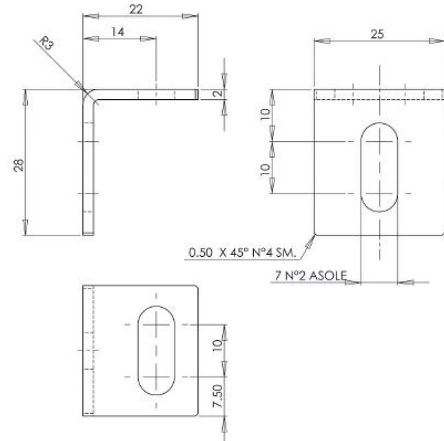
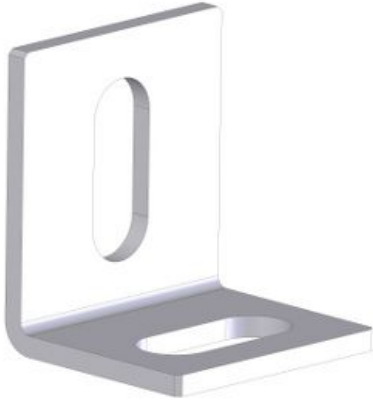
B1010-095145 NEW 1A0400280187



Shot peened aluminum guard fastening support with slot , 30x30x30, th. 5

Stainless steel fastening supports

B1010-093870 **NEW** **1C0200280370**



Stainless steel fastening support with slot, 28x22x25, th. 2

HANDLES

The "Handles" section includes all the components currently manufactured by **Lpm Group** and available in stock.

All components in this section are in RAL 7039 colour like all the polyamide accessories belonging to **Lpm Group** system.

The Polyamide Polymer "6" is reinforced with fiberglass and contains a percentage of elastomer which improves its resistance to deformation, without making it elastic, and avoiding the resulting brittle fracture.

The technical characteristics and sizes of products are indicative as they may vary and be subject to functional changes based on enhancements and production issues, which are the sole responsibility of Lpm Group.

Product technical characteristics

Structure: partially crystalline thermoplastic material

Reinforcement material: fiberglass

Colour: RAL 7039

Mechanical characteristics:

- Resistance to wear
- Highly shock-resistant
- Good resistance to ageing

Electrical characteristics: good resistance to contact current

Thermal characteristics: VICAT (softening point) 215°C

Resistant to:

- Hydrocarbons
- Petrol
- Oil and grease
- alkaline solutions in general

Food Compatibility: To be verified depending on applications

Supply conditions: In a package only where indicated on the specific component

Big handle kit Diam. 25mm

B1050-002387 **NEW**

F31112



Bar handle with D25 tube and grey color

Colour: RAL 7001

Status: Available in warehouse

Note: The accessories are used with A42126 and A42126A profile. Aluminium tube length is made to order. For lengths above 600mm, it is recommended to use a third stiffening element.

Inside the kit is NOT expected the profile.

Parts



Cod. **L15216**
B1050-000157 **NEW**
Grey bar handle
D.25mm spacer



Cod. **F21733**
Pipe cover 25mm -
Height 3mm



Cod. **A42126**
B1020-003591 **NEW**
Aluminium Pipe
D25,1,5mm silver
anodized



Cod. **A42126A**
Aluminium pipe
D25x1,5mm elox
anodized



Cod. **F10166**
B1080-001067 **NEW**
M6 threaded insert



Cod. **N90103**
B1080-001528 **NEW**
CONICAL WASHER
Ni De18Di6,5 SP.4



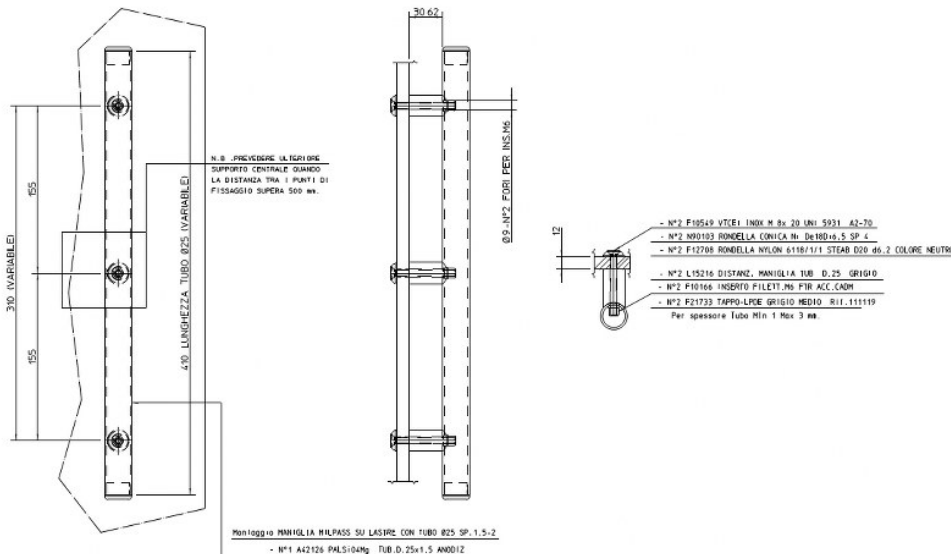
Cod. **F12708**
B1080-001295 **NEW**
NYLON WASHER
6118/1/1 STEAB D20
d6,2 NEUTRAL
COLOR



Cod. **M060301**
STAINLESS
STEEL M6X60 UNI
5933 A2-70

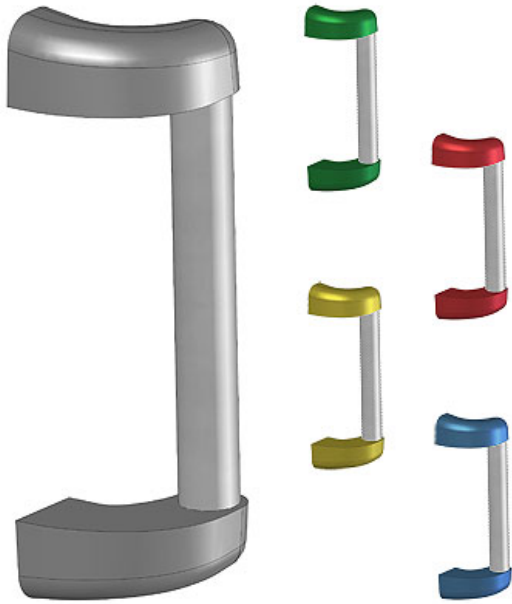
Assembly example

Montaggio SU SPORTELLI A LASTRA



Aurora handle

B1050-001821 **NEW** **L15214**



Modular Aurora handle
Material: polyamide
Colour: RAL 7039
Weight: 0.018 kg
Delivery condition: low availability for limited use

Colors	Code
Grey	L15214
Green	L15209
Red	L15210
Yellow	L15211
Blue	15213

Parts

- 

Cod. F10294
 B1080-001099 **NEW**
 Stainless steel
 flathead screw
 4.8x38.1
- 

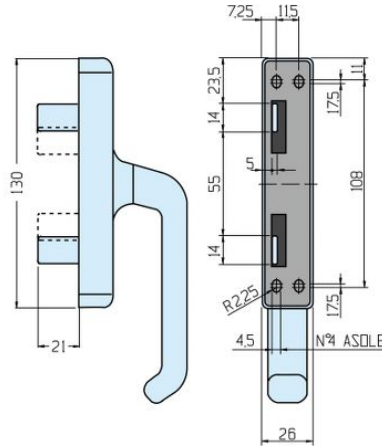
Cod. F10387
 B1080-001118 **NEW**
 Stainless steel
 cheese-headed screw
 4.8x22.2
- 

Cod. F12749
 B1080-001296 **NEW**
 D5/13 neutral screw
 under-support
- 

Cod. N25009A
 44105N25009A **NEW**
 Tube D14 L=114, elox
 anodised

Cremonese handle

B1050-000727 NEW F31141A



Cremonese handle
Material: aluminum
Finish: Painted RAL 7039
Weight: 0.300 Kg

Parts



Cod. **F10164**
 B1080-001065 **NEW**
 M4 threaded insert



Cod. **F10517**
 B1080-000414 **NEW**
 Stainless steel socket head cap screw M4x20



Cod. **L18101**
 3402L18101 **NEW**
 Nylon block for Cremonese bar, grey, weight 0.007 kg



Cod. **L16107**
 B1080-000039 **NEW**
 Centering bushing for Cremonese handle bar

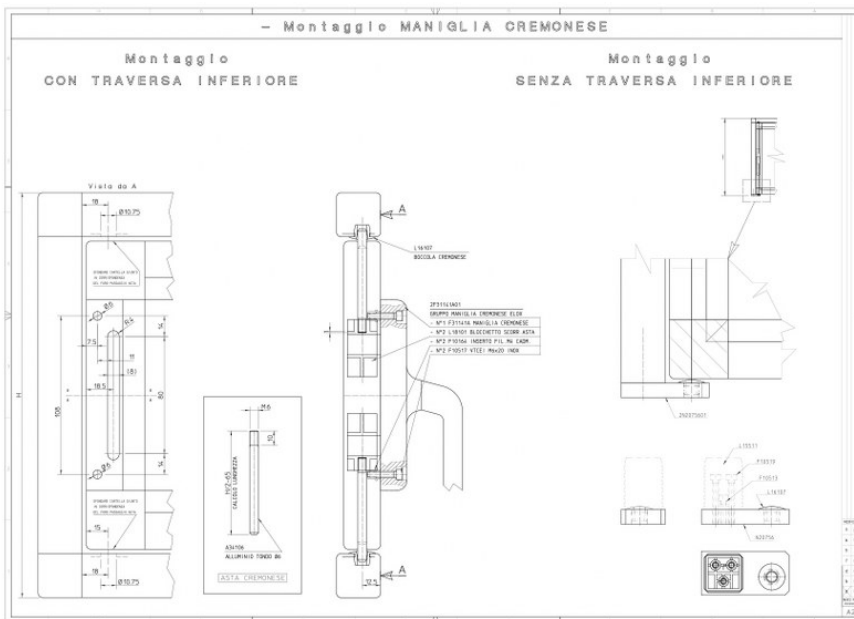


Cod. **L15511**
 B1050-001823 **NEW**
 Internal coupling Square 30mm 1 way



Cod. **N20756**
 B1010-144755 **NEW**
 Aluminium plate for Cremonese handle. Solution for door without low frame

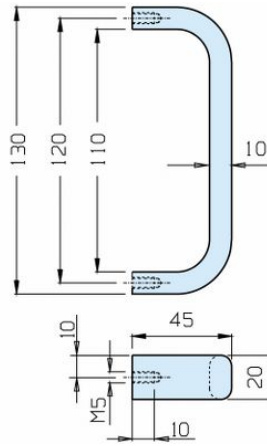
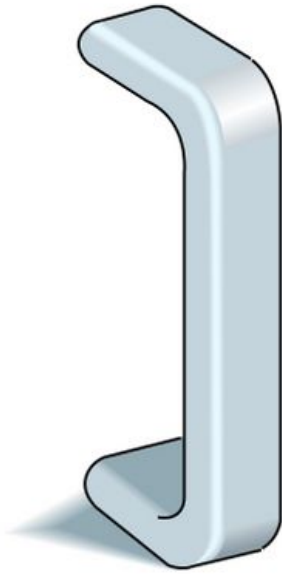
Assembly example



Aluminum handle

B1050-001346 NEW

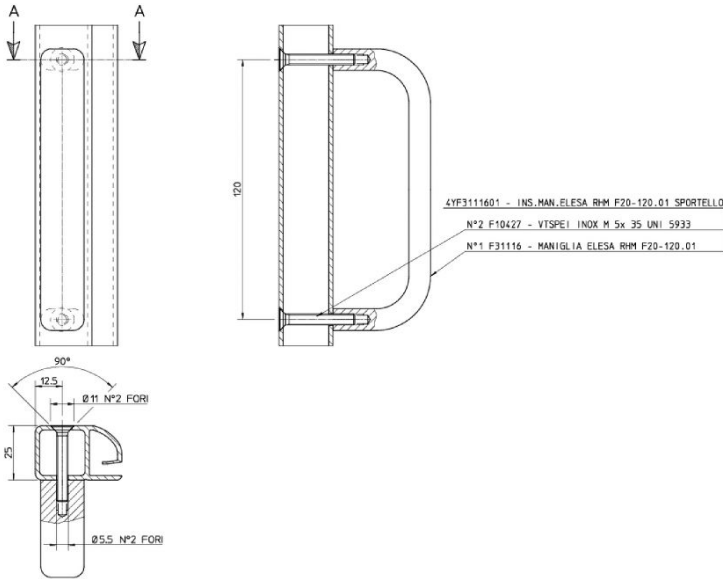
F31116



Open handle with oval cross-section
 Material:aluminum
 Finish: silver anodised
 Weight: 0.090 Kg

Assembly example

Montaggio MANIGLIA ELESA F31116 SU TELAIO IN ALLUMINIO Q.25



LOCKS

Here are assembly examples with components of this category.

Different materials are used for the locks:

- Polyamide cylinder
- Metal cylinder with retaining plate
- Stainless steel cylinder

The locks are supplied separately from the locking key, which is identified as a separate item and is also in the catalogue.

The technical characteristics and sizes of products are indicative as they may vary and be subject to functional changes based on enhancements and production issues, which are the sole responsibility of Lpm Group.

Polyamide locks

B1050-000148 **NEW**

F30150

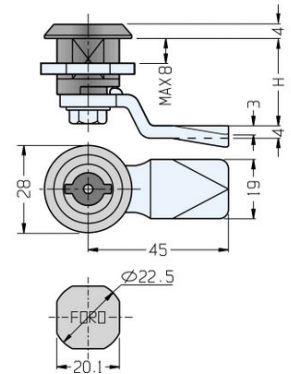
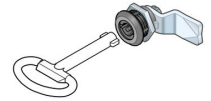
Key
Colour: black



B1050-001320 **NEW**

F30130

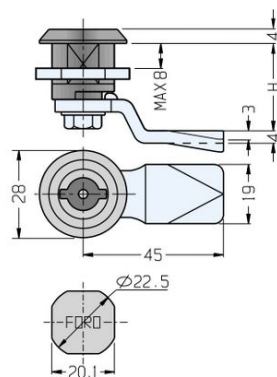
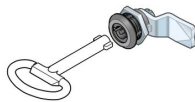
Lock with polyamide cylinder, H=30mm
Colour: black closing



B1050-000147 **NEW**

F30128

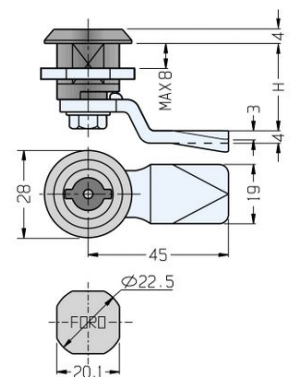
Lock with polyamide cylinder,
H=28mm
Colour: black closing



B1050-001317 **NEW**

F30125

Lock with polyamide cylinder
Colour: black closing
User for material thickness 25 mm

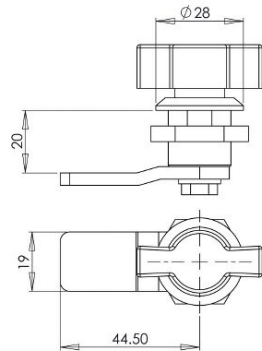
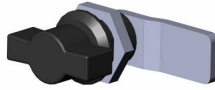


Polyamide locks

B1050-001316 NEW

F30120

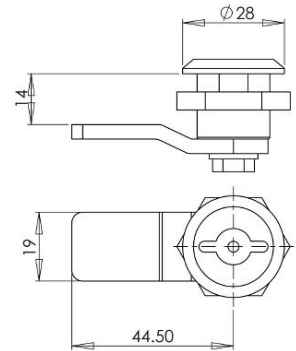
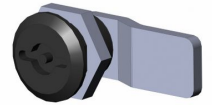
Lock with polyamide cylinder
 Colour: black closing
 User for material thickness 20 mm



B1050-001315 NEW

F30114

Lock with polyamide cylinder
 Colour: black closing
 User for material thickness 14 mm



Metal locks

B1050-000149 NEW

F30151

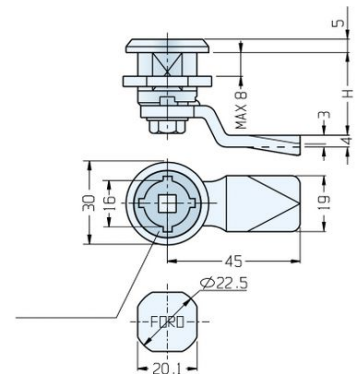
Key for metal lock
 Colour: black



B1050-001330 NEW

F30230

Lock with metal cylinder, H=30mm
 Colour: grey closing

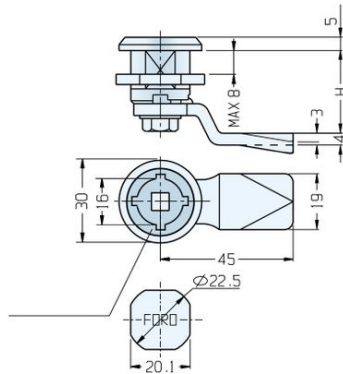


Metal locks

B1050-000150 **NEW**

F30228

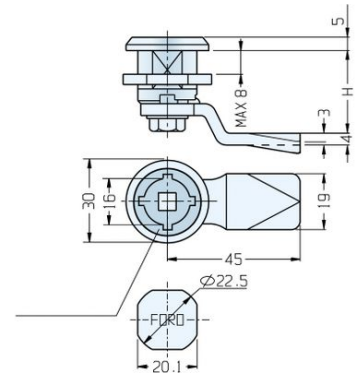
Lock with metal cylinder, H=28mm
Colour: grey closing



B1050-001328 **NEW**

F30225

Lock with metal cylinder, H=25mm
Colour: grey closing

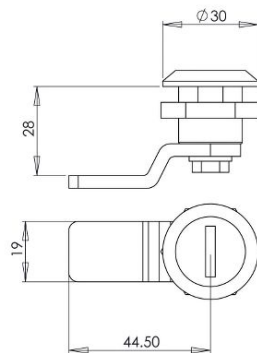
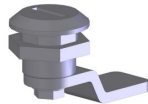


Locks with key

B1050-001318 **NEW**

F30127

Lock with key
Material: metal
finishing: galvanized steel
User for material thickness 18 mm



HINGES

The "Hinges" section includes all the components currently manufactured by **Lpm Group** and available in stock.

All components in this section are in RAL 7039 colour if they are polyamide accessories.

The Polyamide Polymer "6" is reinforced with fiberglass and contains a percentage of elastomer which improves its resistance to deformation, without making it elastic, and avoiding the resulting brittle fracture.

The aluminium components are supplied with anodising treatments available for aluminium profiles:

- silver anodised
- elox anodised

The hinge pins are all made of AISI 304 stainless steel.

The Polyamide Polymer "6" is reinforced with fiberglass and contains a percentage of elastomer which improves its resistance to deformation, without making it elastic, and avoiding the resulting brittle fracture.

The technical characteristics and sizes of products are indicative as they may vary and be subject to functional changes based on enhancements and production issues, which are the sole responsibility of Lpm Group.

Technical characteristics - aluminium products

Product material: Aluminium alloy P-AMg 0.5 Si 0.4 Fe UNI 9006/1-88

Supply condition: Hardened and tempered (T5)

Standard finish: Silver anodised for aluminium components

Technical characteristics - polyamide products

Product material: Partially crystalline thermoplastic material

Standard finish: RAL 7039 for polyamide components

Mechanical characteristics:

- high fatigue strength
- resistance to wear
- Highly shock-resistant
- Self-lubricating bushings on the pin

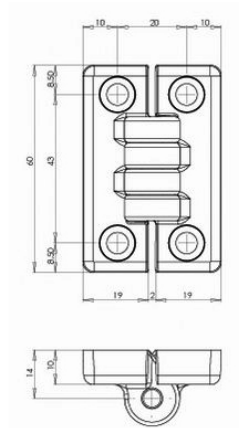
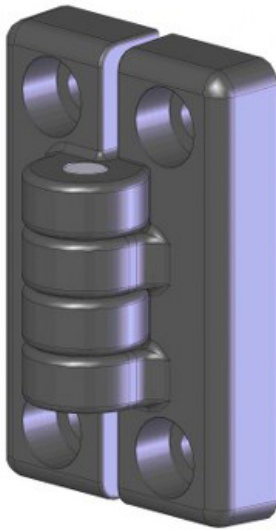
Thermal characteristics: VICAT (softening point) 215°C

Supply conditions: In a package only where indicated on the specific component.

Polyamide door hinge 60x40x22mm

B1050-000873 NEW

F31173A



Polyamide hinge assembled

Color: RAL 7039

Weight: 0,038 Kg

Deliverycondition: box with 10 pieces

Parts



Cod. **L19180A**
B1050-001971 **NEW**
Polyamide RAL7039
semi-hinge, 60x19x10



Cod. **L19180A**
B1050-001971 **NEW**
Polyamide RAL7039
semi-hinge, 60x19x10



Cod. **L19181A**
B1010-144730 **NEW**
Semi-hinge spacer for
L19180A thickness
4mm



Cod. **N30158**
B1080-001517 **NEW**
Stainless steel pin
D6x30

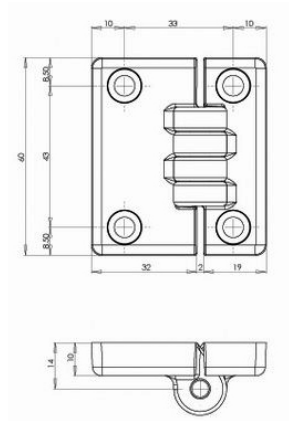
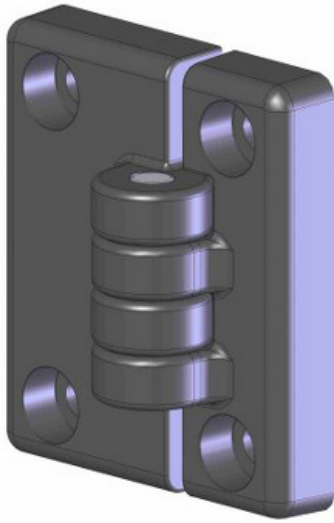


Cod. **F10534**
B1080-000443 **NEW**
Stainless steel socket
head cap screw M6x16

Polyamide door hinge 60x53x22mm

B1050-001363 NEW

F31174A



Polyamide hinge assembled

Color: RAL 7039

Weight: 0,047 Kg

Deliverycondition: box with 10 pieces

Parts



Cod. **L19180A**
B1050-001971 **NEW**
Polyamide RAL7039
semi-hinge, 60x19x10



Cod. **L19182A**
B1050-001972 **NEW**
Polyamide RAL7039
semi-hinge, 60x32x10



Cod. **L19181A**
B1010-144730 **NEW**
Semi-hinge spacer for
L19180A thickness
4mm



Cod. **L19183A**
B1010-144731 **NEW**
Semi-hinge spacer for
L19182A thickness
4mm



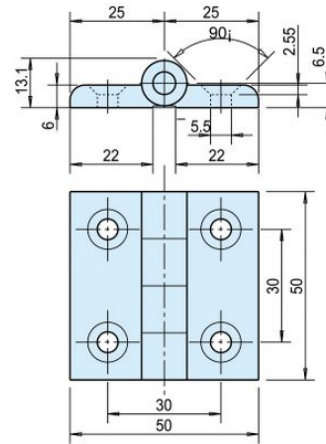
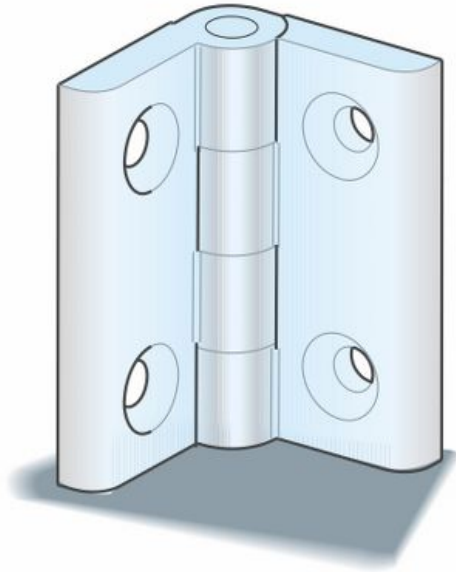
Cod. **N30158**
B1080-001517 **NEW**
Stainless steel pin
D6x30



Cod. **F10534**
B1080-000443 **NEW**
Stainless steel socket
head cap screw M6x16

Aluminum folding door hinge

B1050-001467 **NEW** **F70122**



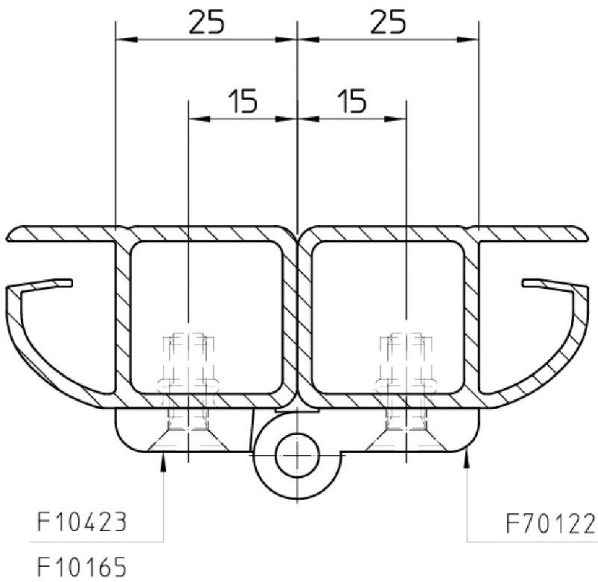
Aluminum folding door hinge
 Weight: 0.050 Kg
 Finish: silver anodised

Parts



Cod. **F10423**
 B1080-000646 **NEW**
 Stainless steel
 countersunk socket
 screw M5x16

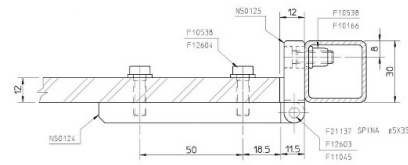
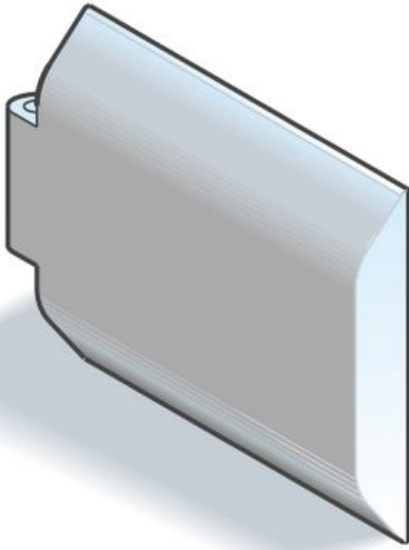
Assembly example



Plain hinge for sheet

B1050-000904 NEW

N50124



Plain hinge
Weight: 0.122 Kg
Finish: silver anodised

Parts



Cod. **N50125**
B1050-002133 **NEW**
Plain hinge U-shaped support, anodised



Cod. **F21137**
0000001566 **NEW**
CYLINDRICAL PLUG.TEM.D 5h6X 35 UNI6364A

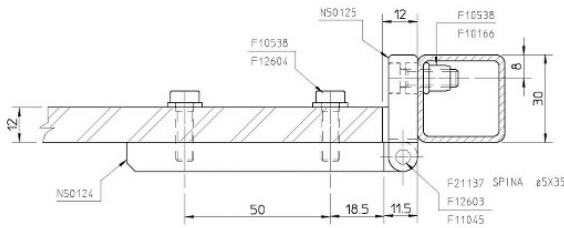


Cod. **F11045**
B1080-000800 **NEW**
Grub screw M6X6 UNI 5927 A2-70



Cod. **F12603**
B1080-001277 **NEW**
Stainless steel washer D5.3x10

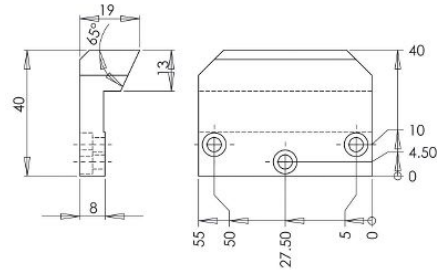
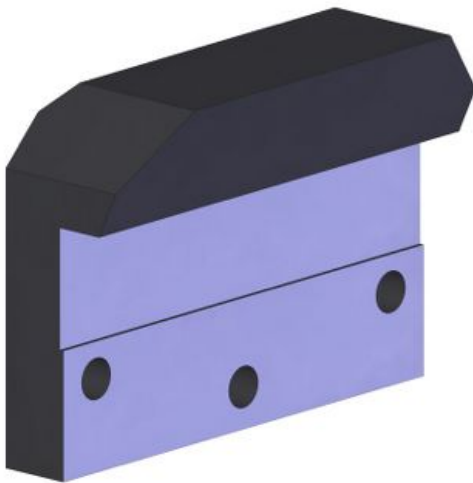
Assembly example



Door stop (90°)

B1010-075687 **NEW**

N20779



Door opening stop at 90°
 Material: polizene 1000
 Color: black

Parts

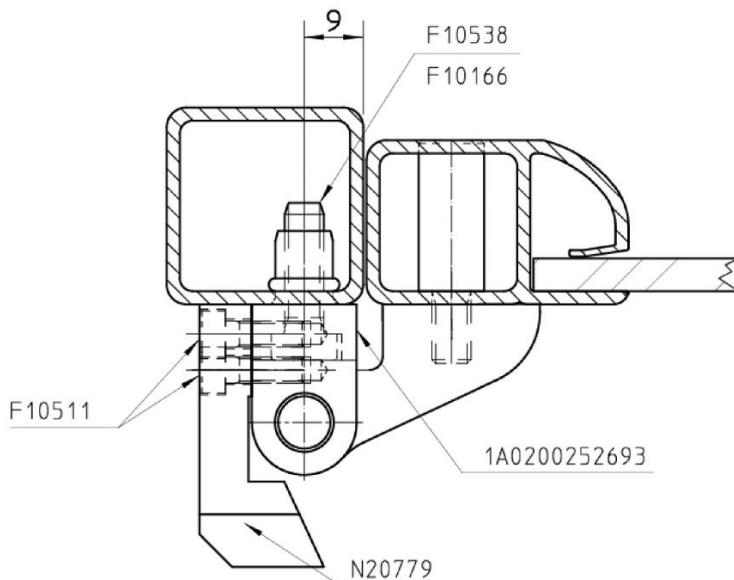


Cod. **F10512**
 B1080-001164 **NEW**
 Stainless steel socket
 head cap screw M4x14



Cod. **N20778**
 B1050-002083 **NEW**
 Support N501222 with
 fastening holes for
 opening stop lock

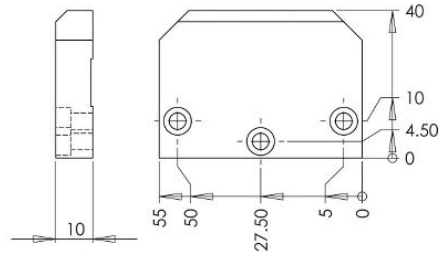
Assembly example



Door stop (120°)

B1050-002082 NEW

N20777



Door opening stop at 120°
 Material: polizene 1000
 Color: black

Parts

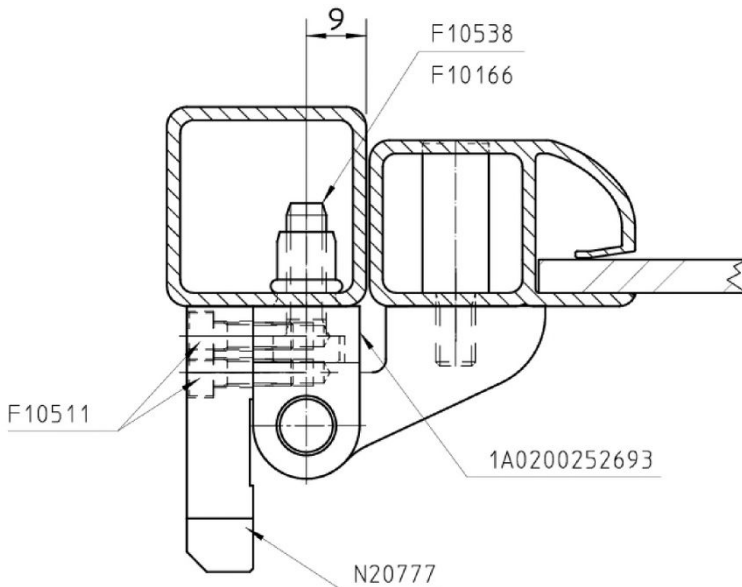


Cod. **F10512**
 B1080-001164 NEW
 Stainless steel socket
 head cap screw M4x14



Cod. **N20778**
 B1050-002083 NEW
 Support N501222 with
 fastening holes for
 opening stop lock

Assembly example



GAS SPRINGS

Technical characteristics

The hydropneumatic gas springs consist of a cylinder containing compressed nitrogen gas, isolated by means of a special sealing device, and a connecting rod.

The extension speed depends on the cross-section of the cylinder (or piston); some models include a mechanical opening block system.

In addition to nitrogen, the internal chamber of the springs is filled with a quantity of oil that guarantees not only excellent lubrication of the system but also end of stroke damping.

The springs need no maintenance and are tested for at least 50,000 strokes.

Installation:

- use the special fittings
- avoid lateral stress
- it is advisable to fit with the rod facing downwards

The technical characteristics and sizes of products are indicative as they may vary and be subject to functional changes based on enhancements and production issues, which are the sole responsibility of Lpm Group.

Gas spring

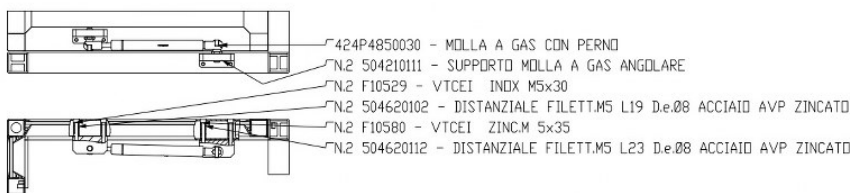
B1050-000596 NEW 424P2750001



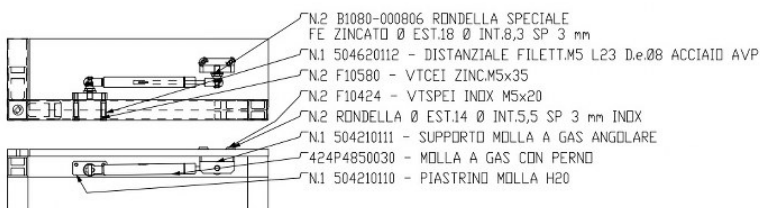
Article	Stabilus Gas Spring/th>
424P2750000	Pin Length 275 MM power N.50 Cod. 4931DF
424P2750001	Pin Length 275 MM power N.100 Cod. 4933DW
424P2750002	Pin Length 275 MM power N.150 Cod. 4935DM
424P2750003	Pin Length 275 MM power N.200 Cod. 1406DD
424P2750004	Pin Length 275 MM power N.250 Cod. 5004DJ
424P2750005	Pin Length 275 MM power N.300 Cod. 5007DV
424P2750006	Pin Length 275 MM power N.350 Cod. 5009DL
424P2750007	Pin Length 275 MM power N.400 Cod. 5012DN
424P3750008	Pin Length 375 MM power N.50 Cod. 5072DE
424P3750009	Pin Length 375 MM power N.100 Cod. 5075DQ
424P3750010	Pin Length 375 MM power N.150 Cod. 5077DG
424P3750011	Pin Length 375 MM power N.200 Cod. 1562DH
424P3750012	Pin Length 375 MM power N.250 Cod. 5079DX
424P3750013	Pin Length 375 MM power N.300 Cod. 5082DZ
424P3750014	Pin Length 375 MM power N.350 Cod. 5084DP
424P3750015	Pin Length 375 MM power N.400 Cod. 1205RU
424P4850027	Pin Length 485 MM power N.100 Cod. 083720
424P4850028	Pin Length 485 MM power N.150 Cod. 094552
424P4850029	Pin Length 485 MM power N.200 Cod. 083739
424P4850030	Pin Length 485 MM power N.250 Cod. 094560
424P4850031	Pin Length 485 MM power N.300 Cod. 083747
424P4850032	Pin Length 485 MM power N.350 Cod. 094579
424P4850033	Pin Length 485 MM power N.400 Cod. 083755
424P4850034	Pin Length 485 MM power N.500 Cod. 083763
424P4850035	Pin Length 485 MM power N.600 Cod. 083771
424P4850036	Pin Length 485 MM power N.700 Cod. 083798
424P4850037	Pin Length 485 MM power N.800 Cod. 094587
424P4850053	Pin Length 485 MM power N.900 Cod. 085227
424P4850173	Pin Length 485 MM power N.1150 Cod. 095338
424P6850054	Pin Length 685 MM power N.150 Cod. 095354
424P6850055	Pin Length 685 MM power N.200 Cod. 095362
424P6850056	Pin Length 685 MM power N.250 Cod. 095370
424P6850057	Pin Length 685 MM power N.300 Cod. 095389
424P6850058	Pin Length 685 MM power N.350 Cod. 095397
424P6850059	Pin Length 685 MM power N.400 Cod. 095400
424P6850060	Pin Length 685 MM power N.500 Cod. 095419
424P6850061	Pin Length 685 MM power N.600 Cod. 095427
424P6850062	Pin Length 685 MM power N.700 Cod. 085294
424P6850063	Pin Length 685 MM power N.800 Cod. 085308
424P6850064	Pin Length 685 MM power N.900 Cod. 085316
424P6850065	Pin Length 685 MM power N.1000 Cod. 085324
424P6850066	Pin Length 685 MM power N.1150 Cod. 095435

Assembly example

PIAZZAMENTO MOLLA STANDARD
PORTELLO IN TUBOLARE



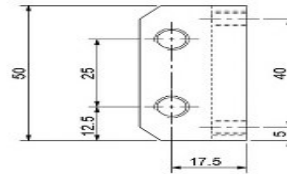
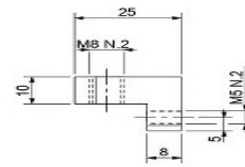
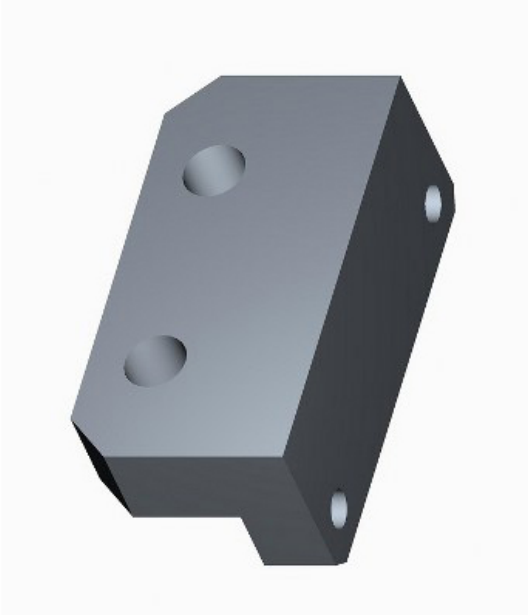
PIAZZAMENTO MOLLA STANDARD
PORTELLO IN PLASTICA



Double fixing Angled Aluminum gas spring support 50x20x25

B1050-000848 **NEW**

50421016

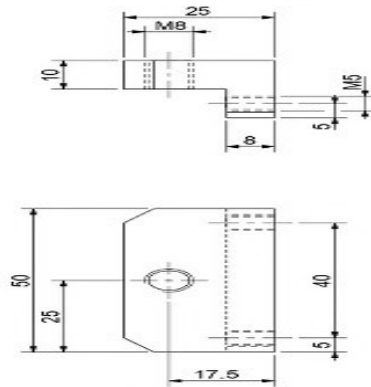


Double fixing Aluminum gas spring support
Dimension: 50x20x25mm
Finishing: Silver anodizing
State: In stock

Angled Aluminum gas spring support 50x20x25

B1050-000847 **NEW**

504210111

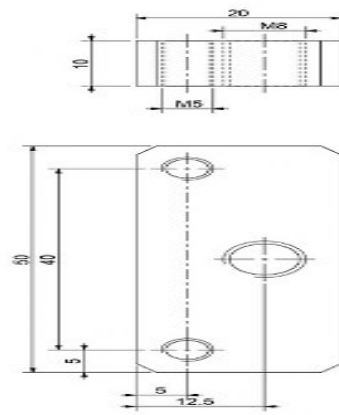


Aluminum gas spring support
Dimension: 50x20x25mm
Finishing: Silver anodizing
State: In stock

■ Plate Aluminum gas spring support 50x10x20

B1010-000115 **NEW**

504210110

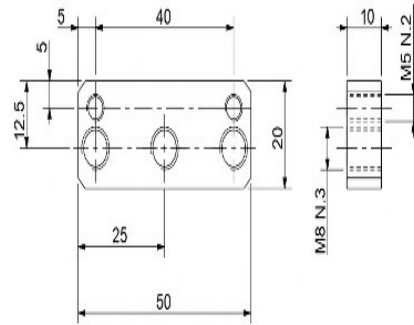


Aluminum gas spring support
Dimension: 50x10x20mm
Finishing: Silver anodizing
State: In stock

■ Triple attacks Aluminum plate gas spring support 50x10x20

B1010-000125 **NEW**

504210121



Aluminum gas spring support

Dimension: 50x10x20mm

Finishing: Silver anodizing

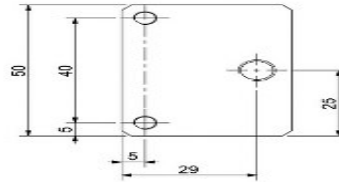
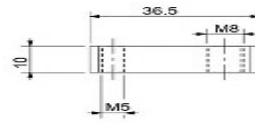
State: In stock

Note: Inside this support there is a possibility to move sprint gas attack without change support

■ Plate Aluminum gas spring support 50x10x36,5

B1050-000846 **NEW**

504210109

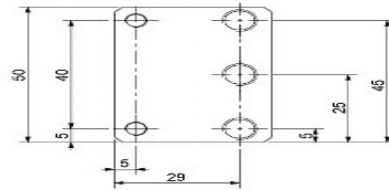
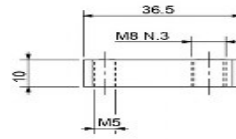


Aluminum gas spring support
Dimension: 50x10x36,5mm
Finishing: Silver anodizing
State: In stock

Triple attacks Aluminum plate gas spring support 50x10x36,5

B1010-000120 **NEW**

504210116



Aluminum gas spring support

Dimension: 50x10x36,5mm

Finishing: Silver anodizing

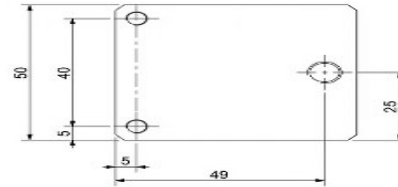
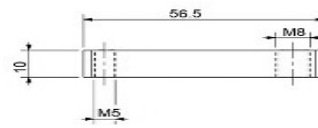
State: In stock

Note: Inside this support there is a possibility to move sprint gas attack without change support

■ Plate Aluminum gas spring support 50x10x56,5

B1010-000116 **NEW**

504210112

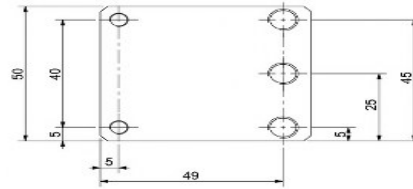
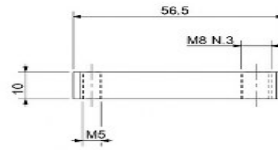


Aluminum gas spring support
Dimension: 50x10x56,50mm
Finishing: Silver anodizing
State: In stock

Triple attacks Plate Aluminum gas spring support 50x10x56,5

B1010-000121 **NEW**

504210117



Aluminum gas spring support

Dimension: 50x10x56,5mm

Finishing: Silver anodizing

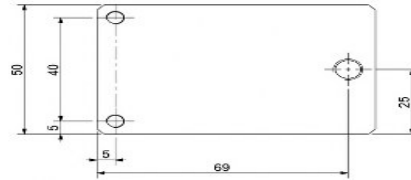
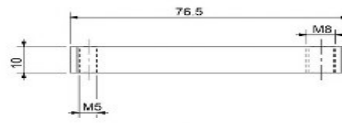
State: In stock

Note: Inside this support there is a possibility to move sprint gas attack without change support

■ Plate Aluminum gas spring support 50x10x76,5

B1010-000117 **NEW**

504210113

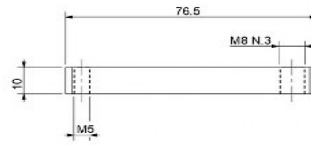


Aluminum gas spring support
Dimension: 50x10x76,5mm
Finishing: Silver anodizing
State: In stock

Triple attacks Aluminum plate gas spring support 50x10x76,5

B1010-000122 **NEW**

504210118



Aluminum gas spring support

Dimension: 50x10x76,5mm

Finishing: Silver anodizing

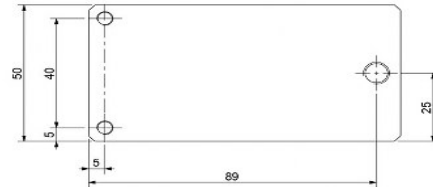
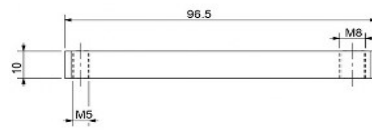
State: In stock

Note: Inside this support there is a possibility to move sprint gas attack without change support

■ Plate Aluminum gas spring support 50x10x96,5

B1010-000118 **NEW**

504210114

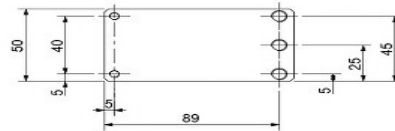
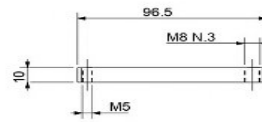


Aluminum gas spring support
Dimension: 50x10x96,5mm
Finishing: Silver anodizing
State: In stock

■ Three attacks Plate Aluminum gas spring support 50x10x96,5

B1010-000123 **NEW**

504210119



Aluminum gas spring support

Dimension: 50x10x96,5mm

Finishing: Silver anodizing

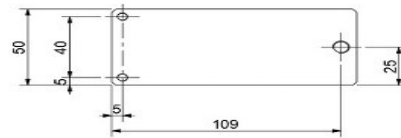
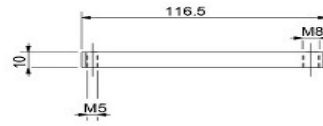
State: In stock

Note: Inside this support there is a possibility to move sprint gas attack without change support

■ Plate Aluminum gas spring support 50x10x116,5

B1010-000119 **NEW**

504210115

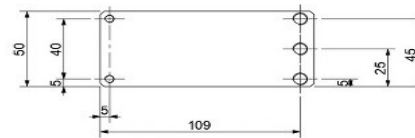
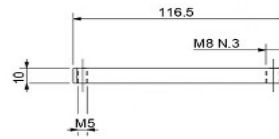


Aluminum gas spring support
Dimension: 50x10x116,5mm
Finishing: Silver anodizing
State: In stock

■ Triple attacks Aluminum plate gas spring support 50x10x116,5

B1010-000124 **NEW**

504210120



Aluminum gas spring support

Dimension: 50x10x116,5mm

Finishing: Silver anodizing

State: In stock

Note: Inside this support there is a possibility to move sprint gas attack without change support

HINGE-OPERATED SAFETY SWITCHES

The key microswitch models presented are supplied by the manufacturer in accordance with the main regulations in force and represent the best solution for guard locking as they prevent tampering and therefore improper use, if properly designed.

The forced opening contacts comply with safety regulations IEC 337, IEC 947-5-1, VDE0660 part 206, NFC63-143.

The technical characteristics, sizes and especially weights of products are indicative as they may vary and be subject to functional changes based on enhancements and production issues, which are the sole responsibility of Lpm Group.

Product specifications and dimensions are indicative and they are the responsibility of supplier Pizzato, who reserves the right to make functional changes based on enhancements and component use in accordance with the laws in force.

In any case, you can consult Pizzato catalogue at: www.pizzato.it

PIZZATO models - Product technical characteristics

Operating temperature: from -25 °C to + 80°C

Operation heads and casing material: technopolymer with fiberglass, self extinguishing and shockproof

Operation positions: all positions

Protection class: IP 65

Mechanical life - operation instances: 20 million (6000/hour)

Rated thermal current: 10 A

Contact operation: 2NC+1NO

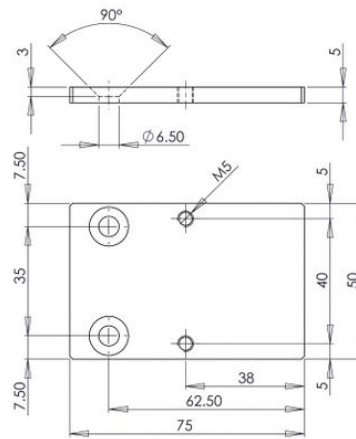
Power (alternate current AC 15): 250 V, 6A - 400 V, 3A - 500V, 1A

Power (direct current DC 13): 24V, 6A - 125V 1.1A - 250V, 0.4A

Flat bayonet microswitch support

B1010-144737 **NEW**

N20704



Material: flat aluminum

Dimensions: 50x75x5 mm

Weight:

Finish: shot-peened

Parts



Cod. **F10166**
 B1080-001067 **NEW**
 M6 threaded insert

ACCESSORIES

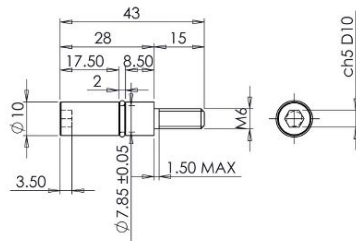
Product specifications and dimensions are indicative as they may be subject to changes by the supplier. Lpm Group disclaims any responsibility for any differences found on the product.

Captive screws

B1080-001252 **NEW**

F11304

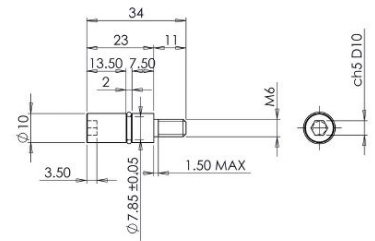
Galvanised captive screw M6x15 H=28
 Weight: 0.020 Kg
 Delivery condition: in stock.



B1080-000209 **NEW**

F11303

Galvanised captive screw M6x11 H=23
 Weight: 0.015 Kg
 Delivery condition: in stock.

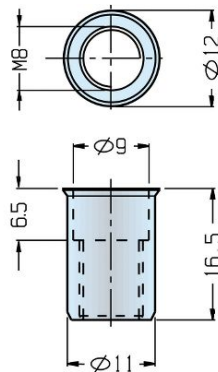


Threaded inserts

B1080-001069 **NEW**

F10168

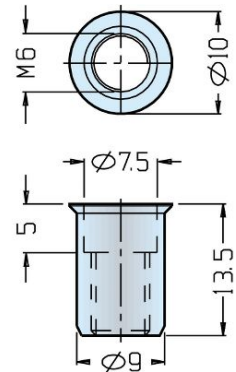
M8 threaded insert
 Weight: 0.005 Kg
 Status: available in warehouse



B1080-001067 **NEW**

F10166

M6 threaded insert
 Weight: 0.003 Kg
 Status: available in warehouse

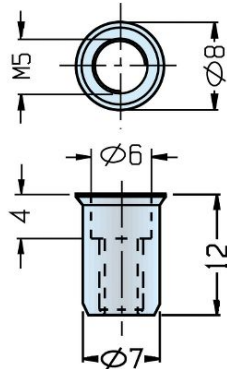


Threaded inserts

B1080-001066 **NEW**

F10165

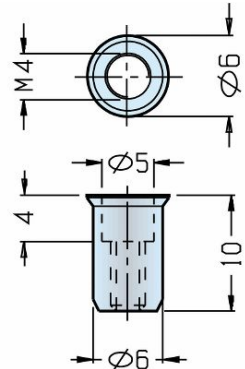
M5 threaded insert
Weight: 0.002 Kg
Status: available in warehouse



B1080-001065 **NEW**

F10164

M4 threaded insert
Weight: 0.001 Kg
Status: available in warehouse

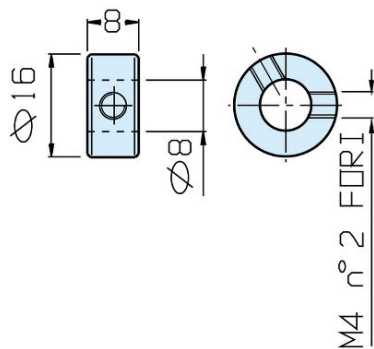
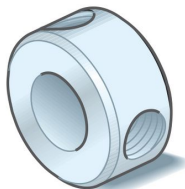


Sundry accessories

B1080-001537 **NEW**

N90810

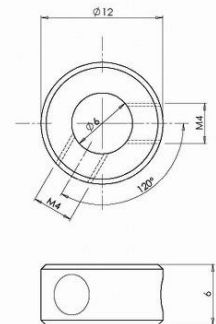
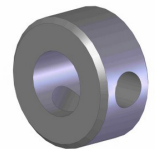
Ring nut for pin diameter 8mm
Material: stainless steel AISI304
Delivery condition: in stock



B1080-001536 **NEW**

N90809

Ring nut for pin diameter 6mm
Material: stainless steel AISI304
Delivery condition: in stock

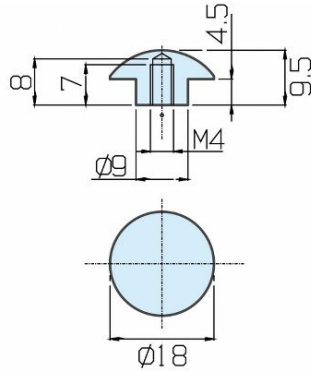
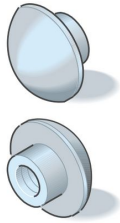


Sundry accessories

B1080-000116 **NEW**

N90207

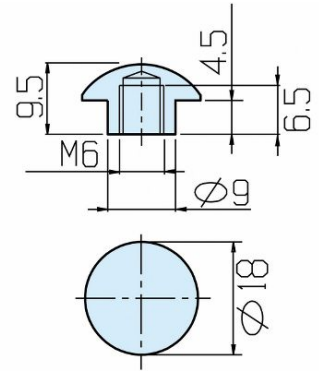
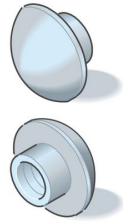
Threaded bushing M4 mm
Material: butter-finished stainless steel
Delivery condition: in stock



B1080-000118 **NEW**

N90209

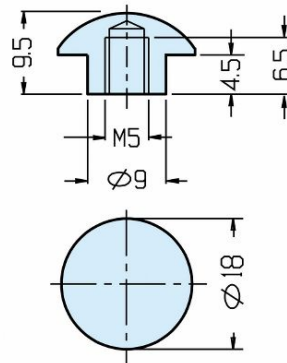
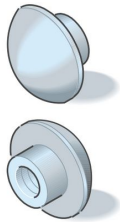
Threaded bushing M6 mm
Material: butter-finished stainless steel
Delivery condition: in stock



B1080-000117 **NEW**

N90208

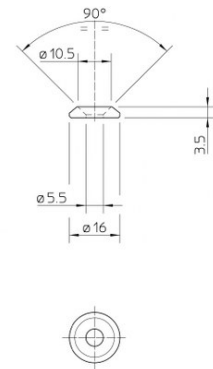
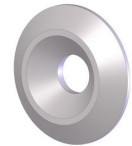
Threaded bushing M5mm
Material: butter-finished stainless steel
Delivery condition: in stock



B1080-001529 **NEW**

N90104

Under-support for countersunk
head screw of M5
Material: steel
Finishing: nickel plating



Sundry accessories

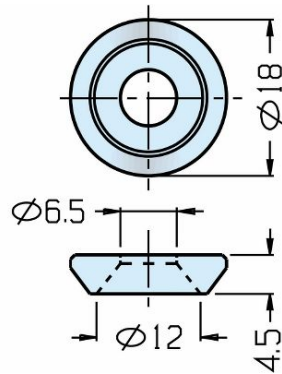
B1080-001528 **NEW**

N90103

Under-support for countersunk head screw of M6

Material: steel

Finishing: nickel plating



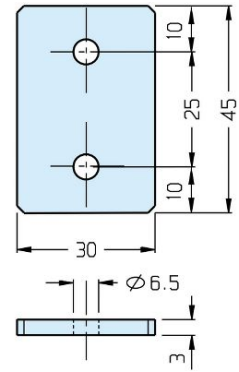
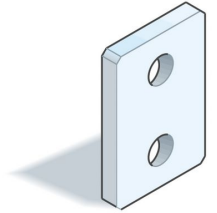
B1010-144753 **NEW**

N20753

doubling plate for Q.25mm profile
Material: Stainless steel AISI304, 3 mm Thickness

Finishing: blasted

Weight: 0.030 Kg



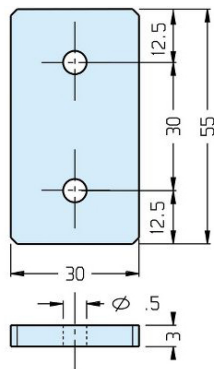
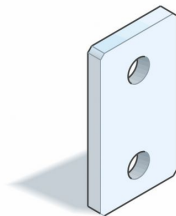
B1010-144749 **NEW**

N20751

doubling plate for Q.30mm profile
Material: Stainless steel AISI304, 3 mm Thickness

Finishing: blasted

Weight: 0.036 Kg

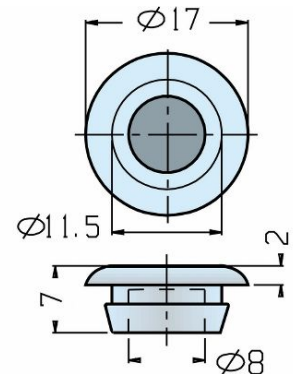


B1050-001214 **NEW**

F21711

Round cap

Colour: grey



Sundry accessories

B1080-001116 **NEW**

F10386

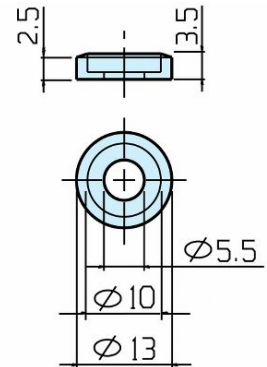
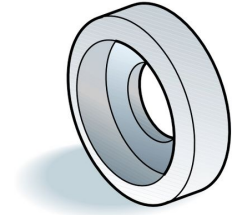
Flat head screw 4.8x19.1 to be used for fixed /removable solution with L15137



B1080-001296 **NEW**

F12749

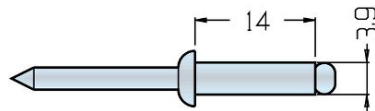
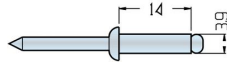
Plain under-support for M5 countersunk cheese-head screw
Delivery condition: 500 pc pack



B1080-001050 **NEW**

F10111

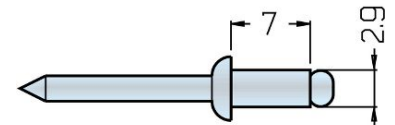
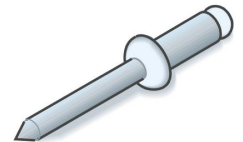
Aluminum alloy rivets



B1080-001061 **NEW**

F10105

Aluminum alloy rivets 2,9x7mm.
Status: available in warehouse



ELECTRICAL MATERIAL ACCESSORIES

For the housing of electrical connection cables, a range of easy to use and fit accessories is available: cable ducts, quick-fit couplings and sheaths made of self-extinguishing material.

Product specifications and dimensions are indicative as they may be subject to changes by the supplier. Lpm Group disclaims any responsibility for any differences found on the product.

SHEATHS AND COUPLINGS: Product technical characteristics

Flexible sheath material: special polyamide "6"

Colour: RAL 7031 grey

Operating temperature: min -40 °C, max +105 °C

Inflammability: self-extinguishing V-0

Resistant to:

most oils up to 100°C, solvents, fuels, acids, liquid substances, electroerosion, etc....

Smooth sheath material:

self-extinguishing PVC

Colour: grey

Operating temperature: min -15 °C, max +70 °C

Inflammability: self-extinguishing V-0

Resistant to:

acids in general, alcohol, carbonates, chlorides, liquid substances, nitrates, sulphates, sulphides.

CABLE DUCTS: Product technical characteristics

Material: Rigid PVC

Colour: RAL 7030 grey

Thermal characteristics: VICAT (softening point) 84°C

Inflammability: self-extinguishing V-0

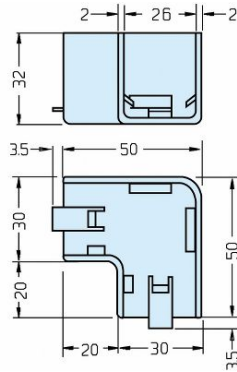
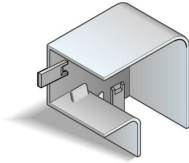
Resistant to: alcohol, acids and bases

Electric channel series 25

B1050-001599 NEW

G16143

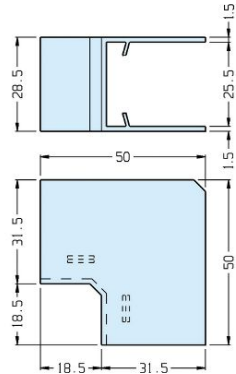
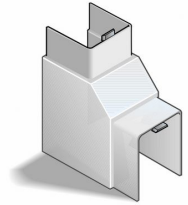
Flat corner
Colour: grey
Weight m /l: 0.017 Kg



B1080-001394 NEW

G16142

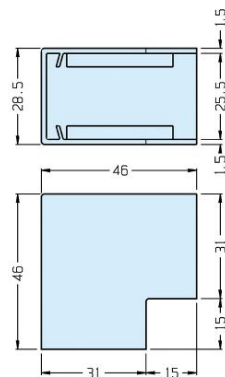
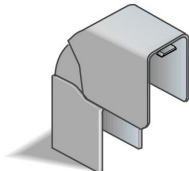
Inner corner
Colour: grey
Weight m /l: 0.034 Kg



B1050-001598 NEW

G16141

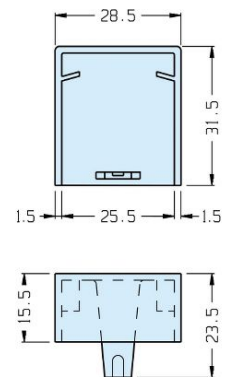
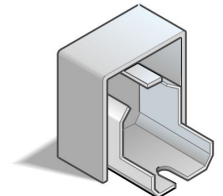
Outer corner
Colour: grey
Weight: 0.025 Kg



B1050-000409 NEW

G16140

End piece
Colour: grey
Weight: 0.008 Kg

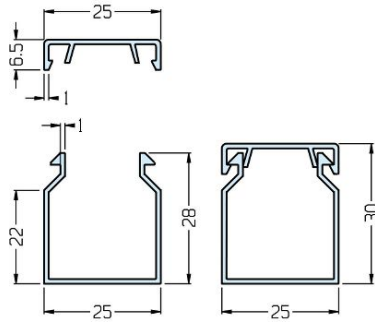
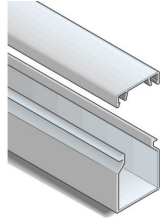


Electric channel series 25

B1050-001565 **NEW**

G16105

Channel
 Colour: grey
 Weight m /l: 0.250 Kg

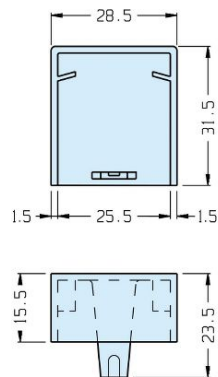
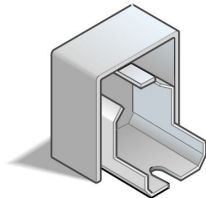


Electric channel series 40

B1050-001568 **NEW**

G16108

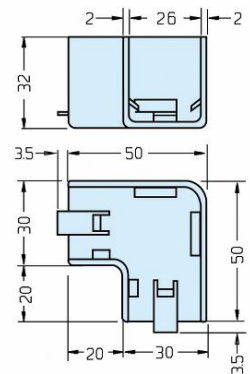
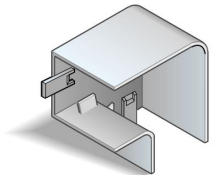
End piece for PVC channel series
 40x40
 Colour: grey



B1050-001567 **NEW**

G16107

Flat corner for PVC channel series
 40x40
 Colour: grey



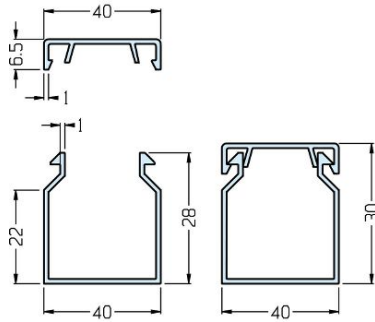
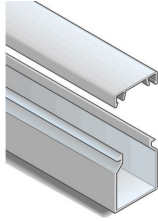
Electric channel series 40

B1050-001566 **NEW**

G16106

PVC channel series 40x40

Colour: grey



Aluminum electric channel

B1050-001601 **NEW**

G16146

End piece for channel series 30x30

Material: Plastic

Colour: black



B1050-001604 **NEW**

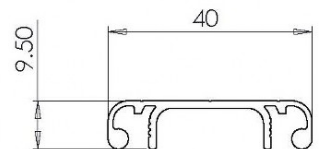
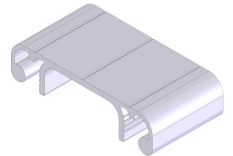
G16148

Aluminum channel cover series 40x40

Finish: Silver anodised

Delivery condition: Bar L= 6000mm

Note: In stock.

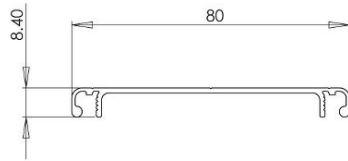
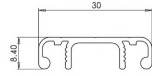


Aluminum electric channel

B1050-001611 **NEW**

G16153

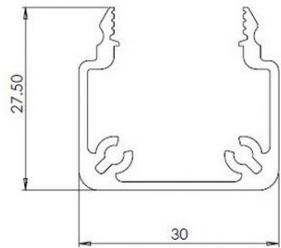
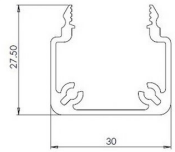
Aluminum channel cover series 30x30
 Finish: Silver anodised
 Delivery condition: Bar L= 6000mm
 Note: In stock.



B1050-001609 **NEW**

G16152

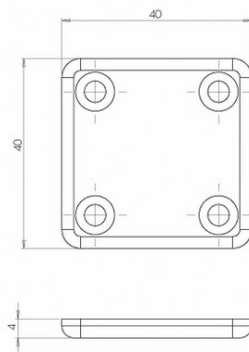
Aluminum channel series 30x30
 Finish: Silver anodised
 Delivery condition: Bar L= 6000mm
 Note: In stock.



B1050-001600 **NEW**

G16145

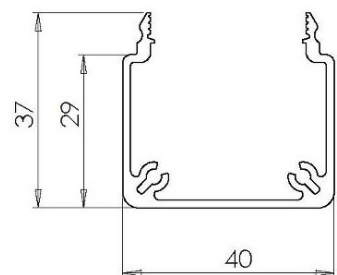
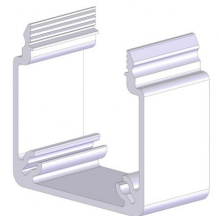
End piece for channel series 40x40
 Material: Plastic
 Colour: black



B1050-001602 **NEW**

G16147

Aluminum channel series 40x40
 Finish: Silver anodised
 Delivery condition: Bar L= 6000mm
 Note: In stock



ASSEMBLED HINGE

The "Hinges" section includes all the components currently manufactured by **Lpm Group** and available in stock.

All components in this section are in RAL 7039 colour if they are polyamide accessories.

The Polyamide Polymer "6" is reinforced with fiberglass and contains a percentage of elastomer which improves its resistance to deformation, without making it elastic, and avoiding the resulting brittle fracture.

The aluminium components are supplied with anodising treatments available for aluminium profiles:

- silver anodised
- elox anodised

The hinge pins are all made of AISI 304 stainless steel.

The Polyamide Polymer "6" is reinforced with fiberglass and contains a percentage of elastomer which improves its resistance to deformation, without making it elastic, and avoiding the resulting brittle fracture.

The technical characteristics and sizes of products are indicative as they may vary and be subject to functional changes based on enhancements and production issues, which are the sole responsibility of Lpm Group.

Technical characteristics - aluminium products

Product material: Aluminium alloy P-AMg 0.5 Si 0.4 Fe UNI 9006/1-88

Supply condition: Hardened and tempered (T5)

Standard finish: Silver anodised for aluminium components

Technical characteristics - polyamide products

Product material: Partially crystalline thermoplastic material

Standard finish: RAL 7039 for polyamide components

Mechanical characteristics:

- high fatigue strength
- resistance to wear
- Highly shock-resistant
- Self-lubricating bushings on the pin

Thermal characteristics: VICAT (softening point) 215°C

Supply conditions: In a package only where indicated on the specific component.

SICUR line hinge

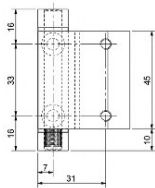
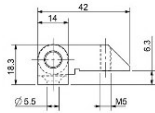
B1050-000862 NEW 5043101EPS122A

SICUR line anodised aluminum angle hinge group with bushings

Finish: silver anodised

Furniture condition: In stock

Note:
Plasticenter Code 5043101EPS122A used in safety guard with great thickness plastic materials without frame needed special holes.



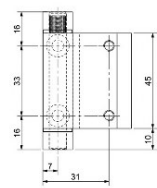
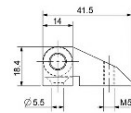
B1050-000864 NEW 5043101EPS123A

SICUR line anodised aluminum angle hinge group with bushings

Finish: silver anodised

Furniture condition: In stock

Note:
Plasticenter Code 5043101EPS123A used in safety guard with necessity of special fixing holes.



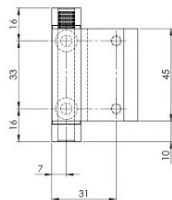
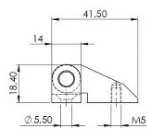
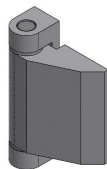
B1050-000859 NEW 5043101EPS121A

SICUR line anodised aluminum angle hinge group with bushings

Finish: silver anodised

Furniture condition: In stock

Note:
Plasticenter Code 5043101EPS121A used in safety guard with aluminium SICUR line frame



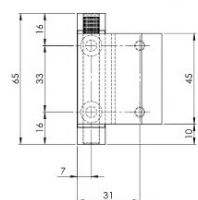
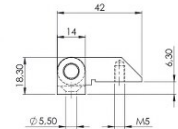
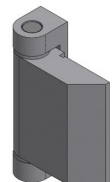
B1050-000857 NEW 5043101EPS114A

SICUR line anodised aluminum angle hinge group with bushings

Finish: silver anodised

Furniture condition: In stock

Note:
Plasticenter Code 5043101EPS114A used in safety guard with great thickness plastic materials without frame.



INDICE ALFABETICO CODICI

Cod.	Pg.	Cod.	Pg.	Cod.	Pg.	Cod.	Pg.
1A0200340112	45	504210121	78	F30120	64	Lamiera-Forata-q10	12
1A0400280187	55	50421016	75	F30125	63	Lamiera-Inox	12
1C0200250034	36	5043101EPS114A	103	F30127	65	Lamiera-Verniciata	12
1C0200250105	37	5043101EPS121A	103	F30128	63	N20704	90
1C0200280370	56	5043101EPS122A	103	F30130	63	N20751	95
280019002G	18	5043101EPS123A	103	F30150	63	N20753	95
280019006G	18	5046105	43	F30151	64	N20777	72
280019040P	18	5046105T	30	F30225	65	N20779	71
2800190A2	23	A40786	4	F30228	65	N40131	54
2800190E2A	23	A40787	4	F30230	64	N40140	53
2800190E3A	23	A40834	4	F30302	39	N50124	70
2800190R2A	23	A40835	4	F31112	58	N90103	95
280025040C	20	A40836	5	F31116	61	N90104	94
280025040G	20	D00304	14	F31141A	60	N90207	94
280025040P	20	D00404	14	F31173A	67	N90208	94
280025102G	19	D00504	14	F31174A	68	N90209	94
280025106G	19	D11103	13	F70122	69	N90809	93
280025112G	19	D11104	12	G16105	99	N90810	93
280025122G	19	D21102	13	G16106	100	OD52105	9
2800251A2A	25	D40104	7	G16107	99	OD52108	9
2800251E2A	24	D40303	7	G16108	99	Vetro-Securit-4-5	13
2800251E3A	24	D40505	8	G16140	98		
2800251E4A	24	D40604	7	G16141	98		
2800251R2A	24	D40905	7	G16142	98		
280030040G	22	D41603	10	G16143	98		
280030040GF	22	D50103	8	G16145	101		
280030040P	22	D50455	10	G16146	100		
280030202G	21	D50485	10	G16147	101		
280030206G	21	D50498	9	G16148	100		
280030212G	21	D53108	9	G16152	101		
280030222G	21	D60105	11	G16153	101		
2800302A2A	26	D60905	11	H10105	16		
2800302E2A	26	D61106	11	H11116	16		
2800302E3A	26	F10105	96	L15131	42		
2800302E4A	25	F10111	96	L15131A	44		
2800302R2A	25	F10164	93	L15136	46		
424P2750001	74	F10165	93	L15137	40		
504210109	79	F10166	92	L15138	41		
504210110	77	F10168	92	L15214	59		
504210111	76	F10386	96	L19133	48		
504210112	81	F11303	92	L19134	31		
504210113	83	F11304	92	L19153	50		
504210114	85	F12749	96	L19155	51		
504210115	87	F21404	47	L19156	52		
504210116	80	F21711	95	L19162	32		
504210117	82	F21804	28	L19165	34		
504210118	84	F21805	28	L19168	33		
504210119	86	F21807	28	L19169	35		
504210120	88	F30114	64	L19171	38		

SAFETY GUARDS//

lpm
lpm.group

