

SAFETY GUARDS //

General catalogue

STAINLESS STEEL LINE

lpm
lpm.group



STAINLESS STEEL

rev.022020

Profiles	3
Seals	7
Sheets	9
Couplings	14
Mouldings	23
Caps	27
Articulated feet	29
Supports	31
Handles	60
Locks	68
Hinges	72
Gas springs	77
Microswitches	81
Accessories	86
Electrical material	93
Screws	100

PROFILES

The "Profiles" section includes all the components currently manufactured by **Lpm Group** and available in stock.

The material is provided with a surface **BUTTER FINISH**.

Other types of finish can be evaluated on request.

To date **Lpm Group** offers three different stainless steel products:

- Products entirely made of stainless steel (including safety guard couplings);
- Partially stainless steel products (with polyamide couplings);
- Stainless steel / PVC products offering competitiveness as their strongest point.

All stainless steel products stem from **Lpm Group** philosophy: the highest possible quality at the lowest costs.

We can say that for the same solutions from an aesthetic point of view, stainless steel and aluminium product lines are totally similar.

The aim we wanted to achieve was not to alter the end customer's aesthetic perception of the product quality and the view of machinery.

The technical characteristics, sizes and especially weights of products are indicative as they may vary and be subject to functional changes based on enhancements and production issues, which are the sole responsibility of Lpm Group.

Product technical characteristics

Alloy used: X5 CrNi 18 10 (Aisi 304)

Length of bars: 6.0 metres

Supply condition: Quenched with 1100° solution treatment in water

Profile thickness:

1.2 mm for profiles - codes A21611 and A21618

2 mm for profiles - codes A21612 and A21617

Standard finish:

Butter finish (standard)

Other types (to be evaluated on request)

Frame profiles

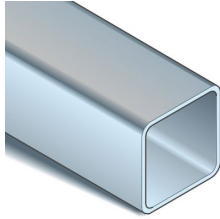
B1020-003901 **NEW**

A21616

Stainless steel profile Q.30, thickness 1.2mm

Finish: butter-finished

Delivery condition: Available upon request. Delivery to be agreed upon



B1020-004346 **NEW**

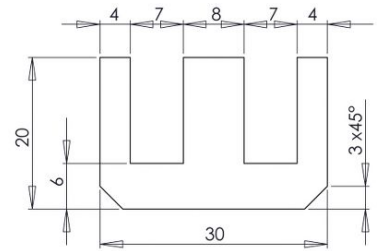
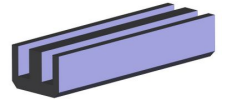
A80561

Profile in black polizene 1000

Weight m /l: n.a.

Finish: deburred

Delivery condition: Availability upon request. Delivery to be agreed upon



B1020-003907 **NEW**

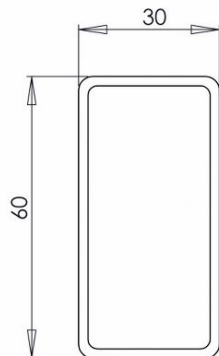
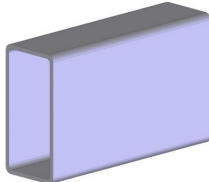
A21621

Stainless steel profile 60x30mm
Thickness 2mm

Weight m /l: 2.70 kg

Finish: butter-finish

Delivery condition: in stock



B1020-003177 **NEW**

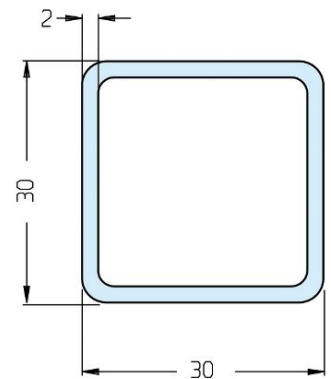
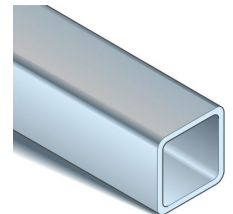
A21617

Stainless steel profile

Weight m /l: 1.74 Kg

Finish: butter-finished

Delivery condition: in stock

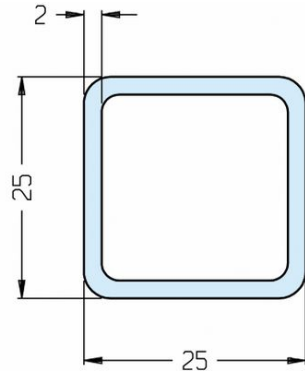
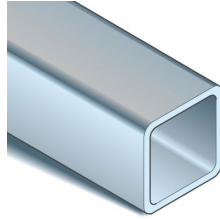


Frame profiles

B1020-003898 NEW

A21612

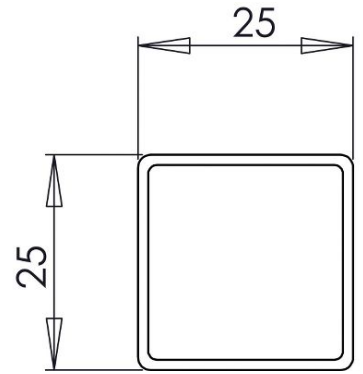
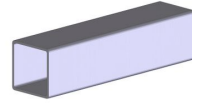
Stainless steel profile
Weight m /l: 1.42 Kg
Finish: butter-finished
Delivery condition: Available upon request. Delivery to be agreed upon



B1020-003897 NEW

A21611

Stainless steel profile Q.25, thickness 1.2mm
Finish: butter-finished
Delivery condition: Available upon request. Delivery to be agreed upon

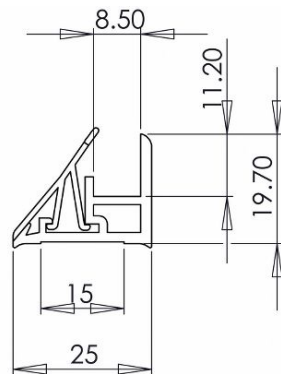


Q25 profiles with seal

B1020-004427 NEW

F50827A

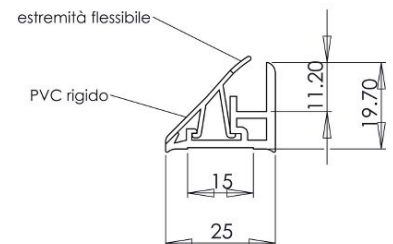
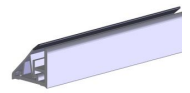
Profile MP95 for 8mm thick sheets
Material: PVC RAL 7039
Bar length: 5 m
To be fitted with double-sided tape code F50127 or with stainless steel rivet



B1020-004426 NEW

F50826A

Profile MP94 for 4-5-6 mm thick sheets and 6/7 layered glass
Material: PVC RAL 7039
Bar length: 5 m
To be fitted with double-sided tape code F50127 or with stainless steel rivet



■ Q25 profiles with seal

B1020-003904 **NEW**

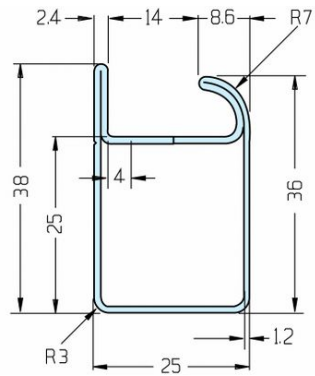
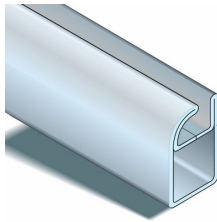
A21618

Stainless steel profile MP30

Weight m /l: 1.49 Kg

Finish: butter-finished

Delivery condition: in stock



SEALS

The "Seals" section includes all **Lpm Group** products currently used and available in stock.

Seals are used on specific profiles as shown in product descriptions.

It should be remembered that with the introduction of the new stainless steel/PVC product line, for any thickness of material generally used, we can avoid using seals as profiles F50826A and F50827A do not require this component.

As regards profile A21618 or MP30 a seal **MUST BE USED**.

Seals are available for materials with a thickness from 1.2 to 2 mm and from 5 to 6 mm.

The seals are designed and manufactured for general use of the product.

They offer good chemical / physical resistance due to the characteristics of the components used. However, they are affected by external elements that may come in contact with the product and therefore, in case of specific use, it is recommended to verify the actual performance and resistance of the component.

The technical characteristics, sizes and especially weights of products are indicative as they may vary and be subject to functional changes based on enhancements and production issues, which are the sole responsibility of Lpm Group.

Product technical characteristics

Mixes: The basic elastomer consists of Ethylene Propylene Diene Thermopolymer (EPDM)

Operating temperature: Minimum: -35°C - Maximum: 90°C

Supply condition: In rolls. The length of the roll is in the component specific code.

Thickness: The manufacture features depend on the model

Finish: Grey colour

Seal for profiles with seal

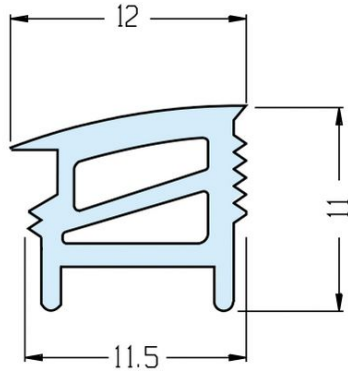
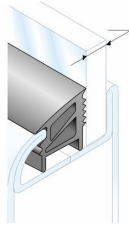
B1050-001460 NEW

F50835

Seal for "MILPASS" profile type
MP30 (thicknesses from 5 to 6 mm)

Colour: grey

Weight m /l: 0.075 Kg



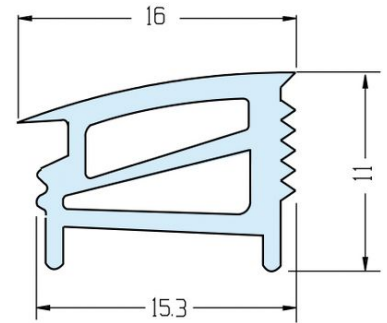
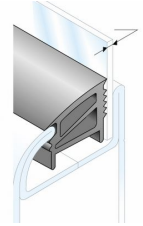
B1050-001459 NEW

F50831

Seal for "MILPASS" profile type
MP30 (thicknesses from 1 to 2 mm)

Colour: grey

Weight m /l: 0.110 Kg



SHEETS

The "Sheets" section offers a summary of the products in Lpm Group system.

The nature and thickness of the material, if between 1.2 mm and 2 -4-5-6-8 mm, do not represent a restraint in its use. For greater thickness specific solutions are necessary, which are provided by **Lpm Group** technical staff.

For each material category you will find all the main technical specifications to help you in choosing the product best suited to you.

Lpm Group provides the best choice on the market and most of all a direct and continuous co-operation with the leading world producers of the materials listed in each section.

All types listed are in stock in quantities depending on **Lpm Group** requirements.

It should be remembered that plastic materials comply with the manufacturer's specific technical data sheets, and that improper use may cause changes in technical - mechanical features, for which neither **Lpm Group** or the manufacturer shall be liable.

In order to improve durability over time and use by the final customer **Lpm Group** applies labels in five different languages on each product / safety guard.

=====
Pulire con acqua e sapone,
Nettoyer avec eau et savon
Wash with water and soap
mit Wasser und Seife sauber machen
Limpiar con agua y jabon
=====

<p>Technical characteristics Methacrylate</p> <p>Composition: methyl methacrylate polymer</p> <p>Supply condition: 2000x3000 mm sheets transparent or translucent</p> <p>Thickness: 4/5/6/8/10/12/15/20 mm</p> <p>Colour: colourless or smoky grey</p> <p>Flash point: > 250 °C</p> <p>Softening temperature: > 110 °C</p> <p>Density: 1190 kg/m3</p>	<p>Technical characteristics - polycarbonate</p> <p>Composition: polyester resin, known commercially as LEXAN® or MAKROLON®</p> <p>Supply condition: transparent 2000x3000 mm sheets</p> <p>Thickness: 3/4/5/6/8/10/12 mm</p> <p>Colour: colourless</p> <p>Inflammability: self- extinguishing Shatterproof</p> <p>Transparent material among the most resistant on the market, highly shock-resistant, high surface hardness, heat resistant up to 135° C (to 145°C if fiberglass reinforced).</p> <p>Odourless and tasteless, physiologically harmless and resistant to mineral and organic acids, grease, oil and hydrocarbons; particularly suitable as a protective shield in any industrial sector.</p>	<p>Technical characteristics - Foamed PVC</p> <p>Composition: polyvinyl chloride</p> <p>Supply condition: sheets in varying sizes</p> <p>Thickness: 5 mm (grey-white and coloured) 10 mm (white)</p> <p>Colour: white or coloured</p> <p>Inflammability: self- extinguishing</p> <p>Highly shock-resistant</p> <p>Density: 0.75 kg/m3</p>
--	--	--

Transparent polycarbonates

B1020-000354 **NEW**
D50103

Transparent polycarbonate sheet
 Delivery condition: 3050x2050 sheet



Thickness	Weight Kg/m ²	Code
3	3.67	D50103
4	4.85	D50104
5	6.03	D50105
6	7.21	D50106
8	9.57	D50108
10	11.93	D50110
12	14.29	D50112
15	17.83	D50115

Transparent PETG

B1020-001529 **NEW**
D41603

Transparent PETG, thickness 3mm
 Weight:
 Delivery condition: 3050x2050 sheet



Thickness	Weight Kg/m ²	Code
3	3.67	D41603
4	4.85	D41604
5	6.03	D41605
6	7.21	D41606
8	9.57	D41608
10	11.93	D41610

Coloured compact PVC

B1020-004385 **NEW**

D60105

Compact PVC



Dimension format: 3000x1500mm sheet

Delivery condition: Custom made, Available upon request. Delivery to be agreed upon.

Important information: Color is identified on "Pantone" scale.

Is possible to have some difference in the color between two different production lot.



Colors	Thick.	Weight Kg/m ²	Code
	5	7,35	D60105
	8	11,76	D60108
	10	14,70	D60110
	4	5,88	D60304
	5	7,133	D60305
	3	4,41	D60603
	5	7,35	D60605
	6	8,82	D60606
	8	11,76	D60608
	10	14,70	D60610

Mesh and plates

B1020-004359 **NEW**

D21103

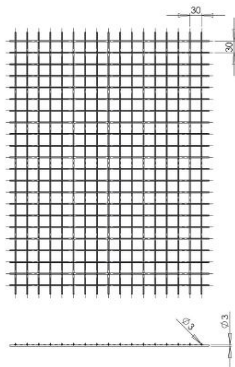
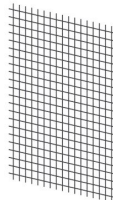
30 mm square mesh, 3mm wire

Material: stainless steel Aisi 304

Finish: butter-finish

Delivery condition: 1200x2400 sheet

Available upon request. Delivery to be agreed upon



Lamiera-Inox

Stainless steel plate, thickness 1.5mm

Delivery condition: custom-made

Available upon request. Delivery to be agreed upon

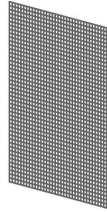


Mesh and plates

Lamiera-Forata-q10

Stainless steel 10mm square mesh
slotted plate

Available upon request. Delivery to be
agreed upon.



B1020-004358 **NEW**

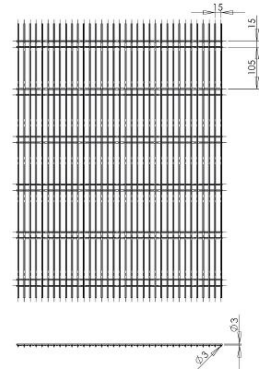
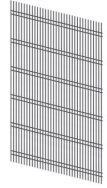
D21102

Tec electrowelded mesh, 3mm wire

Material: Aisi 304

Finish: Butter-finished

Delivery condition: Available upon
request. Delivery to be agreed upon.



Layered glasses

Vetro-Securit-6-7

Securit 6 /7 layered glass

Delivery condition: custom-made

Available upon request. Delivery to be
agreed upon.



Vetro-Securit-4-5

Securit 4 /5 layered glass

Delivery condition: custom made

Available upon request. Delivery to be
agreed upon.



■ Hardened glasses

Vetro-Securit-10mm

Hardened glass, thickness 10mm
Delivery condition: custom-made
Available upon request. Delivery to be agreed upon.



Vetro-Securit-8mm

Hardened glass, thickness 8mm
Delivery condition: custom-made
Available upon request. Delivery to be agreed upon.



COUPLINGS

The "Couplings" section includes all the components currently manufactured by **Lpm Group** and available in stock.

All components in this section are in RAL 7039 colour like all the polyamide accessories belonging to **Lpm Group** system.

Regarding stainless steel components a "chemical butter finish" is provided.

The Polyamide Polymer "6" is reinforced with fiberglass and contains a percentage of elastomer which improves its resistance to deformation, without making it elastic, and avoiding the resulting brittle fracture.

The range of products available is vast and always allows **Lpm Group** to obtain the best results while maintaining the aesthetic and ergonomic features of the product.

The coupling should be fixed to the profile by means of a stainless steel rivet or a stainless steel self-tapping screw.

The technical characteristics, sizes and especially weights of products are indicative as they may vary and be subject to functional changes based on enhancements and production issues, which are the sole responsibility of Lpm Group.

Product technical characteristics

Alloy used:

- X5 CrNi 18 18 (Aisi 304 for stainless steel couplings)
- Polyamide "6" - fiberglass reinforced (for plastic couplings)

Structure:

- Austenitic, non-magnetic (for stainless steel couplings)
- Partially crystalline thermoplastic material (for polyamide couplings only)

Finish:

- Chemical butter finish (stainless steel couplings);
- RAL 7039 colour (polyamide couplings);

Mechanical characteristics:

- High fatigue strength
- Resistance to wear
- Highly shock-resistant
- Good resistance to ageing

Electrical characteristics (for Polyamide couplings): good resistance to contact current

Thermal characteristics (for Polyamide couplings): VICAT (softening point) 215°C

Resistant to (for Polyamide couplings):

- Hydrocarbons
- Petrol
- Oil and grease
- Alkaline solutions in general

Food Compatibility: To be verified depending on applications

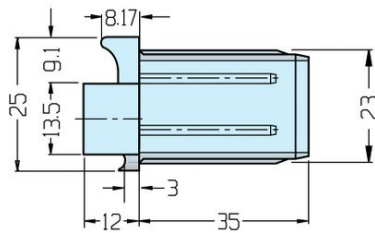
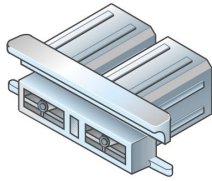
Supply conditions: In a package only where indicated on the specific component

1-way couplings Q25

B1050-001908 NEW

L15852

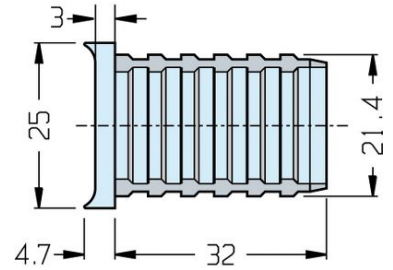
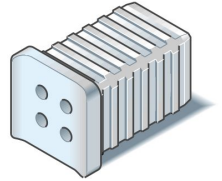
Double 1- way polyamide coupling
(with fiberglass) for A 21618 profile
Weight: 0.025 Kg



B1050-000084 NEW

L15801

1-way polyamide (with
fiberglass) coupling for Q25 tube
Colour: RAL 7039
Weight: 0.010 Kg

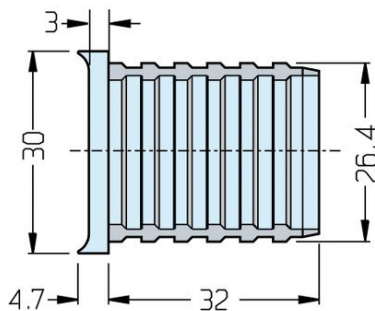
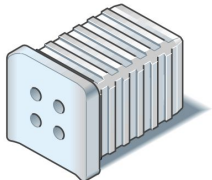


1-way couplings Q30

B1050-000090 NEW

L15811

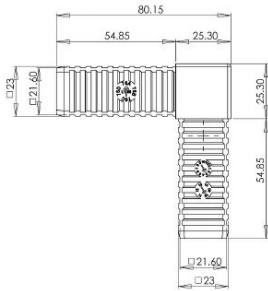
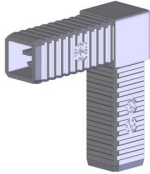
1-way polyamide (with
fiberglass) coupling for Q30 tube
Colour: RAL 7039
Weight: 0.014 Kg
Delivery condition: 300 pc package



2-way couplings Q25

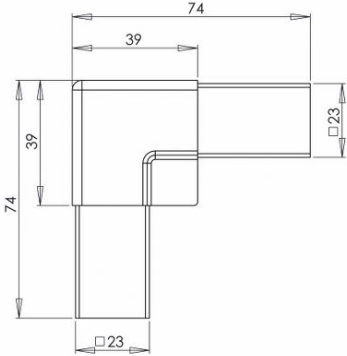
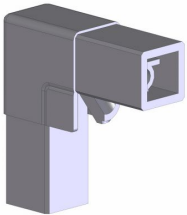
B1050-001931 NEW **L15876A**

2-way polyamide coupling for A21611 and A21618 profiles
 Colour: RAL 7039
 Weight:



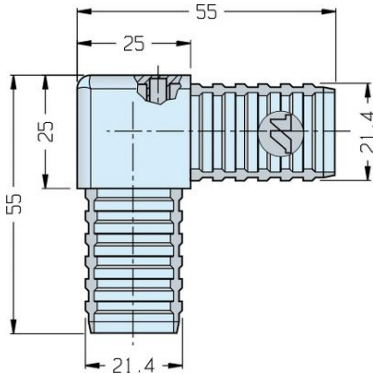
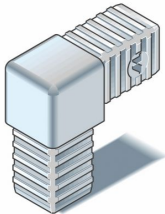
B1050-001904 NEW **L15845**

2-way polyamide (with fiberglass) coupling for A21618 profile
 Colour: RAL 7039
 Weight: 0.058 Kg



B1050-000085 NEW **L15802**

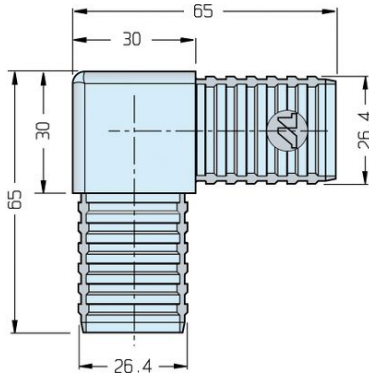
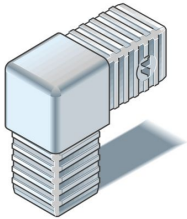
2-way polyamide (with fiberglass) coupling for Q25 tube
 Colour: RAL 7039
 Weight: 0.027 Kg
 Delivery condition: 200 pc package



2-way couplings Q30

B1050-000091 **NEW** **L15812**

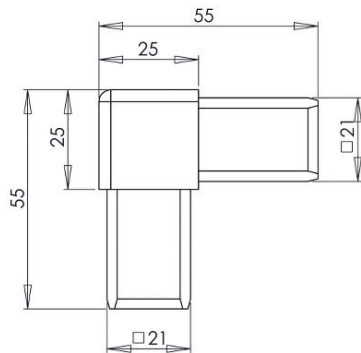
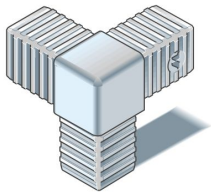
2-way polyamide (with fiberglass) coupling for Q30 tube
Colour: RAL 7039
Weight: 0.040 Kg
Delivery condition: 200 pc package



3-way couplings Q25

B1050-000086 **NEW** **L15803**

3-way polyamide (with fiberglass) coupling for Q25 tube
Colour: RAL 7039
Weight: 0.033 Kg
Delivery condition: 100 pc package



3-way couplings Q30

B1050-000092 NEW

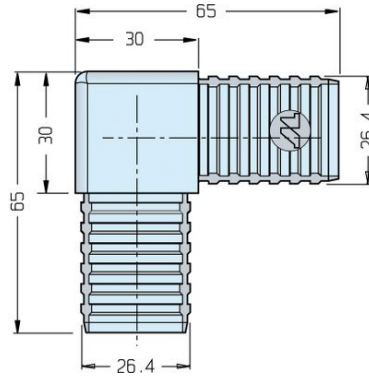
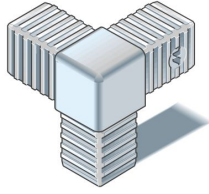
L15813

3-way polyamide (with fiberglass) coupling for Q30 tube

Colour: RAL 7039

Weight: 0.049 Kg

Delivery condition: 50 pc package



2-way curved couplings

B1050-000094 NEW

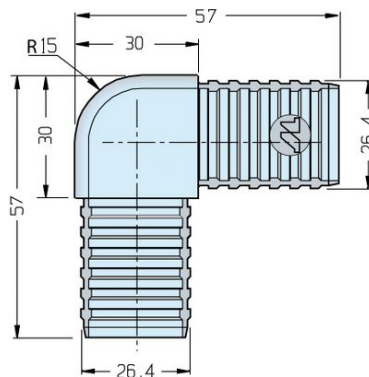
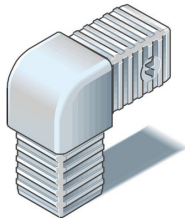
L15817

2-way curved polyamide (with fiberglass) coupling for Q30 tube

Colour: RAL 7039

Weight: 0.038 Kg

Delivery condition: 100 pc package



B1050-001884 NEW

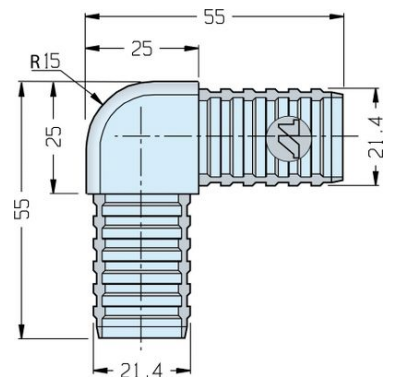
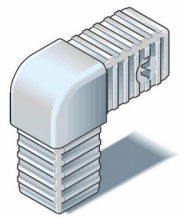
L15807

2-way curved polyamide (with fiberglass) coupling for Q25 tube

Colour: RAL 7039

Weight: 0.028 Kg

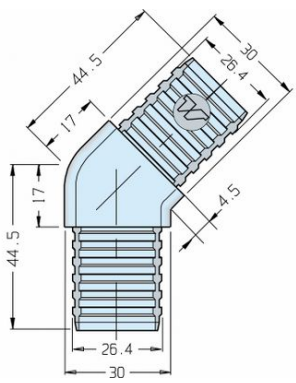
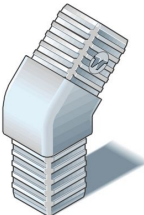
Delivery condition: 150 pc package



2-way 45° couplings

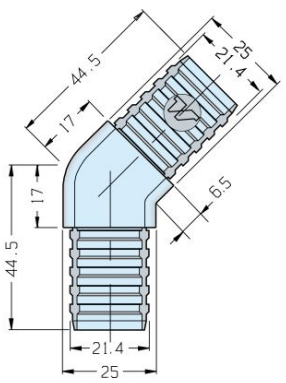
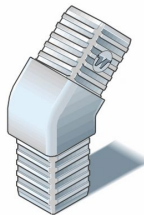
B1050-000095 NEW L15818

2-way 45° curved polyamide (with fiberglass) coupling for Q30 tube
 Colour: RAL 7039
 Weight: 0.032 Kg



B1050-000088 NEW L15808

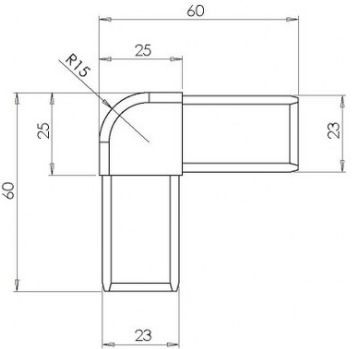
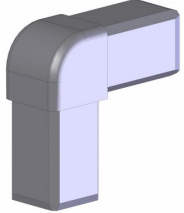
2-way 45° curved polyamide (with fiberglass) coupling for Q25 tube
 Colour: RAL 7039
 Weight: 0.022 Kg



Couplings for mouldings

B1050-001916 NEW L15861

2 way curved coupling for A21618 profile.
 Color: RAL 7039
 Weight: 0.030 Kg
 Delivery condition: available in warehouse



Special corner couplings

B1050-00079 **NEW**

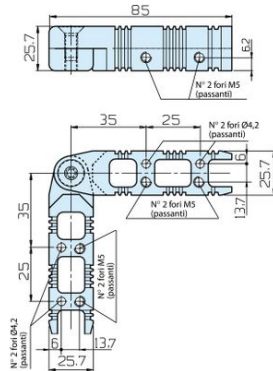
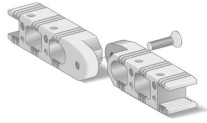
N15606

Revolving 2-way coupling for Q 30 tube

Material: zamak

Weight: 0.310 Kg

Finish: galvanised



B1050-000112 **NEW**

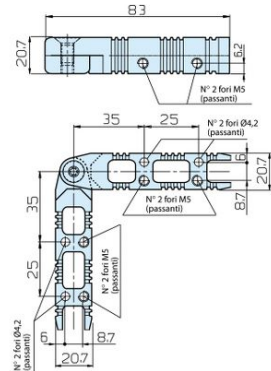
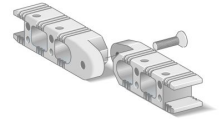
N15605

Revolving 2-way coupling for Q 25 tube

Material: zamak

Weight: 0.205 Kg

Finish: galvanised



Stainless steel couplings for Q.30 profiles

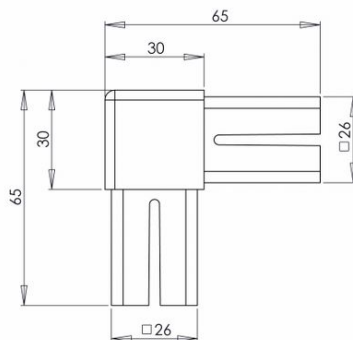
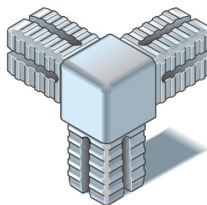
B1050-000110 **NEW**

L15913

3-way stainless steel coupling for Q30 tube

Weight: 0.265 Kg

Finish: chemical butter-finish



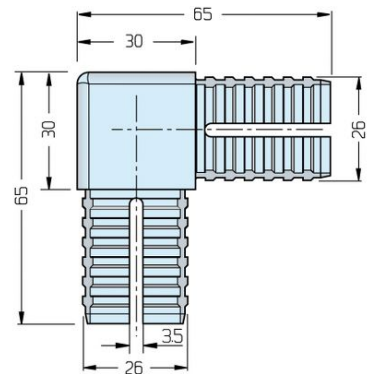
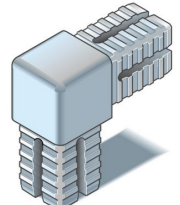
B1050-000109 **NEW**

L15912

2-way stainless steel coupling for Q30 tube

Weight: 0.240 Kg

Finish: chemical butter-finish



Stainless steel couplings for Q.30 profiles

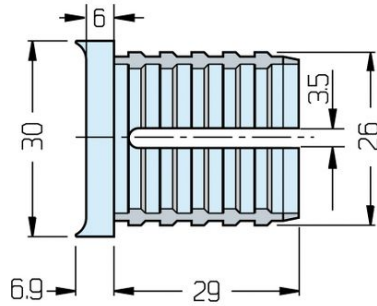
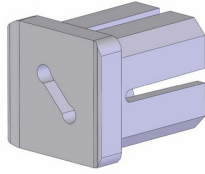
B1050-001942 **NEW**

L15911

1-way stainless steel coupling for Q30 tube

Weight: 0.090 Kg

Finish: chemical butter-finish



Stainless steel couplings for Q.25 profiles

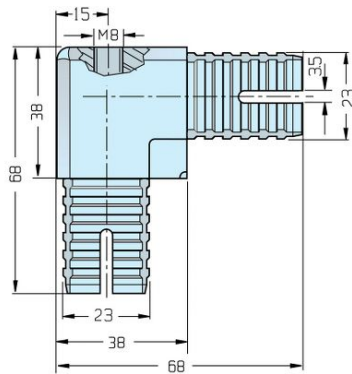
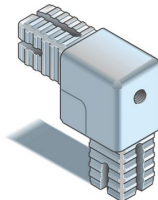
B1050-001999 **NEW**

N15603

Upper 2-way stainless steel coupling for A 21618 profile

Weight: 0.245 Kg

Finish: chemical butter-finish



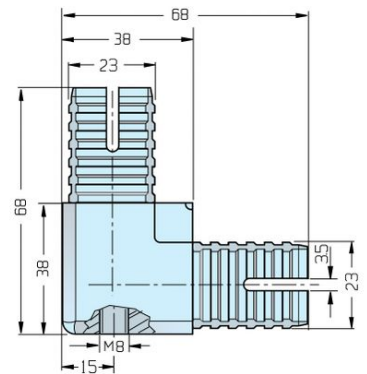
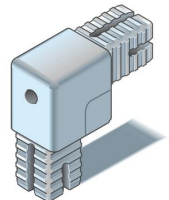
B1050-001998 **NEW**

N15602

Lower 2-way stainless steel coupling for A 21618 profile

Weight: 0.245 Kg

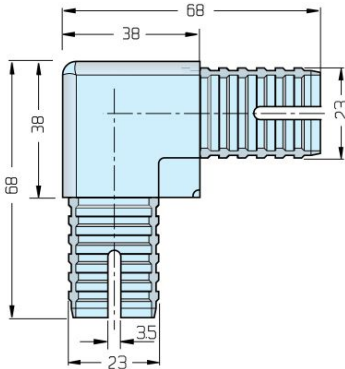
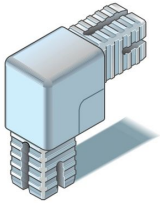
Finish: chemical butter-finish



Stainless steel couplings for Q.25 profiles

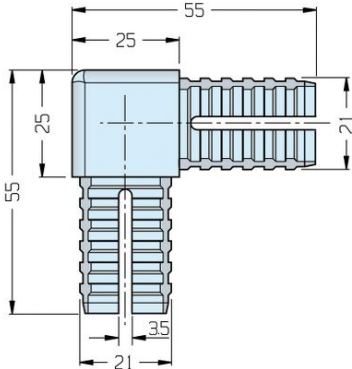
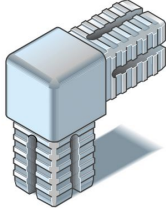
B1050-000111 NEW **L15930**

2-way stainless steel coupling for A
21618 profile
Weight: 0.250 Kg
Finish: chemical butter-finish



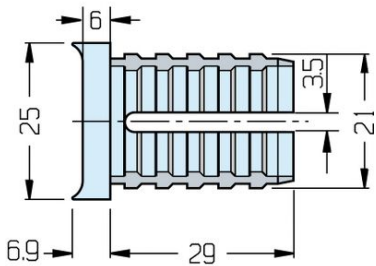
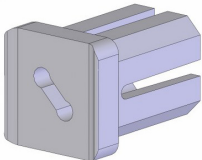
B1050-001941 NEW **L15902**

2-way stainless steel coupling for Q25
tube
Weight: 0.155 Kg
Finish: chemical butter-finish



B1050-001940 NEW **L15901**

1-way stainless steel coupling for Q25
tube
Weight: 0.065 Kg
Finish: chemical butter-finish



MOULDINGS

Product specifications and dimensions are indicative as they may be subject to changes by the supplier. Lpm Group disclaims any responsibility for any differences found on the product.

Mouldings for Q25 couplings with seal

B1050-001918 NEW

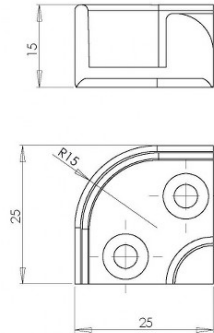
L15863

Internal radius mouldings for Q.25 profile A21618.

Color: RAL 7039

Weight: 0,0010 Kg

Status: Available in warehouse



B1050-001917 NEW

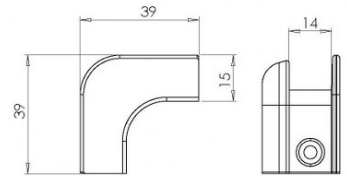
L15862

Mouldings for Q. 25 profile A21618 in polyamide.

Color: RAL 7039

Weight: 0,0008 Kg

Status: available in warehouse



B1050-001939 NEW

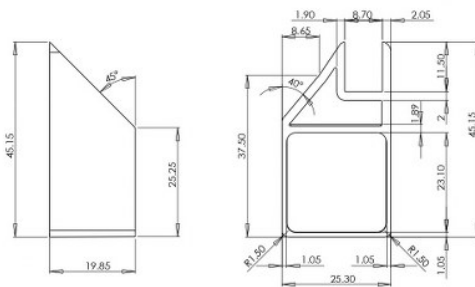
L15884A

Polyamide upper spacer for L15876A coupling with 8mm thick sheet

Colour: RAL 7039

Weight:

To be used to prevent the 45° cutting of PVC moulding code F50826A and F50827A



B1050-001937 NEW

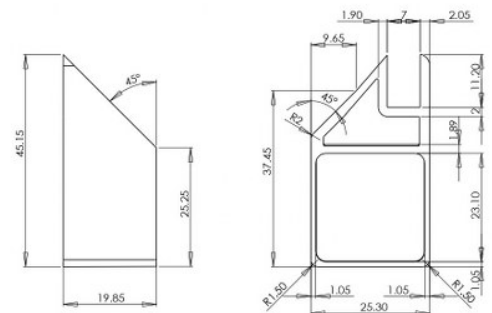
L15882A

Polyamide upper spacer for L15876A coupling with 6mm thick sheet or with 6/7mm layered glass

Colour: RAL 7039

Weight:

To be used to prevent the 45° cutting of PVC moulding code F50826A and F50827A



Mouldings for Q25 couplings with seal

B1050-001935 NEW

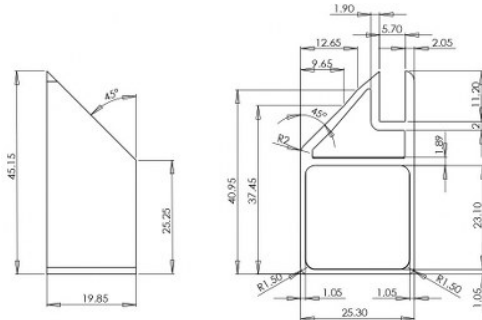
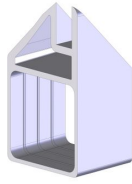
L15880A

Polyamide upper spacer for L15876A coupling with 5mm thick sheet

Colour: RAL 7039

Weight:

To be used to prevent the 45° cutting of PVC moulding code F50826A and F50827A



B1050-001933 NEW

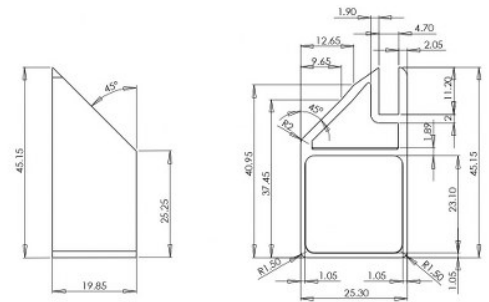
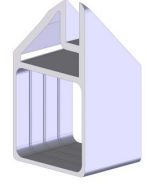
L15878A

Polyamide upper spacer for L15876A coupling with 4mm thick sheet

Colour: RAL 7039

Weight:

To be used to prevent the 45° cutting of PVC moulding code F50826A and F50827A



B1050-001938 NEW

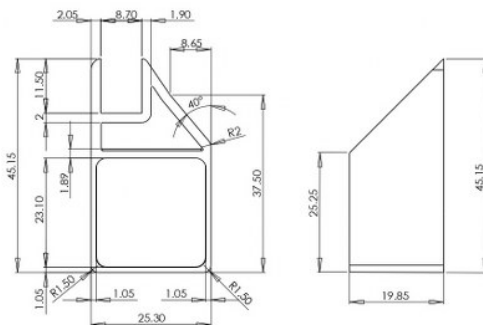
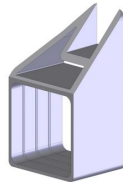
L15883A

Polyamide lower spacer for L15876A coupling with 8mm thick sheet

Colour: RAL 7039

Weight:

To be used to prevent the 45° cutting of PVC moulding code F50826A and F50827A



B1050-001936 NEW

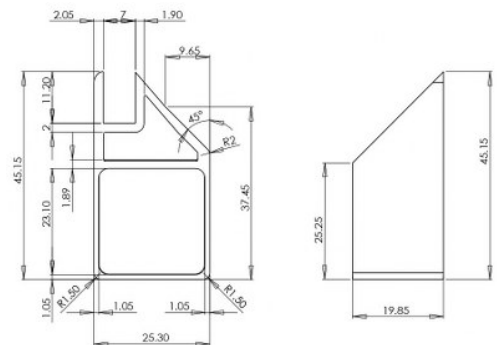
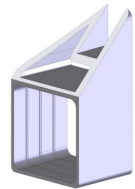
L15881A

Polyamide lower spacer for L15876A coupling with 6mm thick sheet or with 6/7mm layered glass

Colour: RAL 7039

Weight:

To be used to prevent the 45° cutting of PVC moulding code F50826A and F50827A



Mouldings for Q25 couplings with seal

B1050-001934 **NEW**

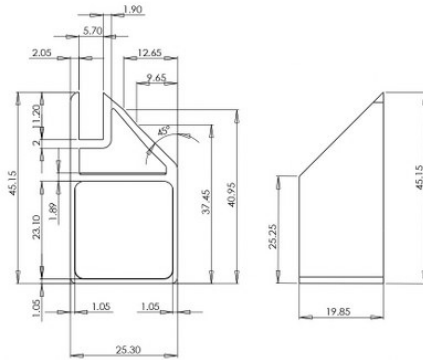
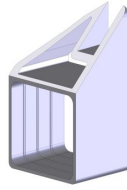
L15879A

Polyamide lower spacer for L15876A coupling with 5mm thick sheet

Colour: RAL 7039

Weight:

To be used to prevent the 45° cutting of PVC moulding code F50826A and F50827A



B1050-001932 **NEW**

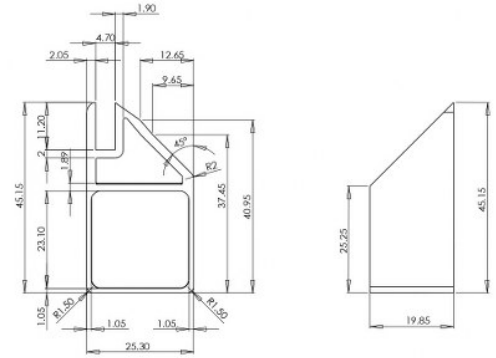
L15877A

Polyamide lower spacer for L15876A coupling with 4mm thick sheet

Colour: RAL 7039

Weight:

To be used to prevent the 45° cutting of PVC moulding code F50826A and F50827A



CAPS

The "Caps" section includes all the components currently manufactured by **Lpm Group** and available in stock.

All components in this section are in RAL 7039 colour like all the polyamide accessories belonging to **Lpm Group** system.

The Polyamide Polymer "6" is reinforced with fiberglass and contains a percentage of elastomer which improves its resistance to deformation, without making it elastic, and avoiding the resulting brittle fracture.

The cap is applied to the profile without using glue, screws or rivets as it should always be possible to inspect it.

The technical characteristics, sizes and especially weights of products are indicative as they may vary and be subject to functional changes based on enhancements and production issues, which are the sole responsibility of Lpm Group.

Product technical characteristics

Structure: partially crystalline thermoplastic material

Reinforcement material: fiberglass

Colour: RAL 7039

Mechanical characteristics:

- High fatigue strength
- Resistance to wear
- Highly shock-resistant
- Good resistance to ageing

Electrical characteristics: good resistance to contact current

Thermal characteristics: VICAT (softening point) 215°C

Resistant to:

- Hydrocarbons
- Petrol
- Oil and grease
- Alkaline solutions in general

Food Compatibility: To be verified depending on applications

Supply conditions: In a package only where indicated on the specific component

■ Caps for profiles Q25

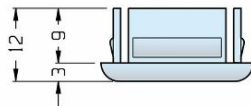
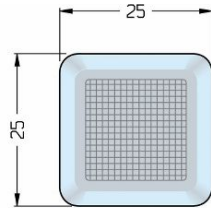
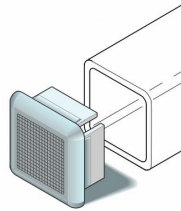
B1050-000165 **NEW**

L21111

Polyamide (with fiberglass) square cap
for Q25 tube, with rounded edges and
knurled raised front panel

Colour: RAL 7039

Weight: 0.003 Kg



■ Caps for profiles Q30

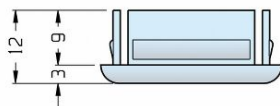
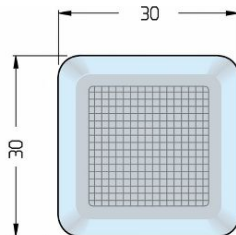
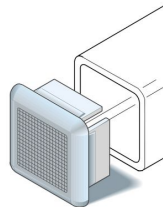
B1050-000166 **NEW**

L21112

Polyamide (with fiberglass) square cap
for Q30 tube, with rounded edges and
knurled raised front panel

Colour: RAL 7039

Weight: 0.004 Kg



The technical characteristics, sizes and especially weights of products are indicative as they may vary and be subject to functional changes based on enhancements and production issues, which are the sole responsibility of Lpm Group.

Product technical characteristics

Material:

- Support base: polyamide
- Stainless steel threaded rod, articulated at the base.

Reinforcement material: fiberglass

Base colour: black

Mechanical characteristics:

- Fatigue strength
- Resistance to wear
- Highly shock-resistant

Capacity: 1000 kg

Use: when fitting to square tubes it is essential to use the special internally threaded bushings, which are pressed into place.

Max. static load for the foot: 5,500 N

Feet

B1050-001228 NEW

F21806

Articulated foot that can be fixed to the floor

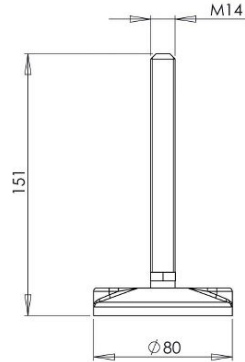
Diameter 80mm and length 151mm

Base colour: black

Stainless steel stem

Weight: 0.210 kg

Delivery status: in stock



B1050-001225 NEW

F21802

Articulated foot that can be fixed to the floor

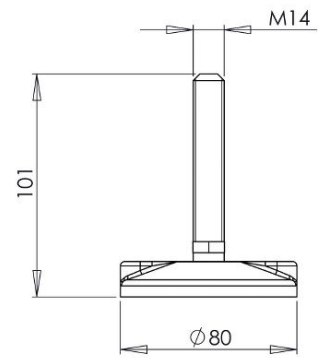
Diameter 80mm and length 101mm

Base colour: black

Stainless steel stem

Weight: 0.180 kg

Delivery status: in stock



SUPPORTS

The "Supports" section includes all the components currently manufactured by **Lpm Group** and available in stock.

All components in this section are in RAL 7039 colour like all the polyamide accessories belonging to **Lpm Group** system. In this case however, as an exception, supports code L15137 and L15131 are made of Amorphous Polyamide "11", because of component use and great aesthetic impact.

The Polyamide Polymer "6" is reinforced with fiberglass and contains a percentage of elastomer which improves its resistance to deformation, without making it elastic, and avoiding the resulting brittle fracture.

The technical characteristics, sizes and especially weights of products are indicative as they may vary and be subject to functional changes based on enhancements and production issues, which are the sole responsibility of Lpm Group.

Product technical characteristics

Structure: partially crystalline thermoplastic material

Reinforcement material: fiberglass

Colour:

- RAL 7039
- Code L15137 and
- Code L15131: Transparent

Mechanical characteristics:

- Resistance to wear
- Highly shock-resistant
- Good resistance to ageing

Electrical characteristics: good resistance to contact current

Thermal characteristics: VICAT (softening point) 215°C

Resistant to:

- Hydrocarbons
- Petrol
- Oil and grease
- Alkaline solutions in general

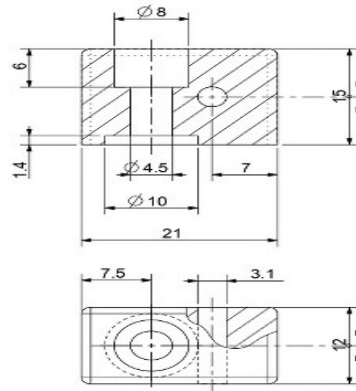
Food Compatibility: To be verified depending on applications

Supply conditions: In a package only where indicated on the specific component

■ Trasparent glass fiber block for removable panel

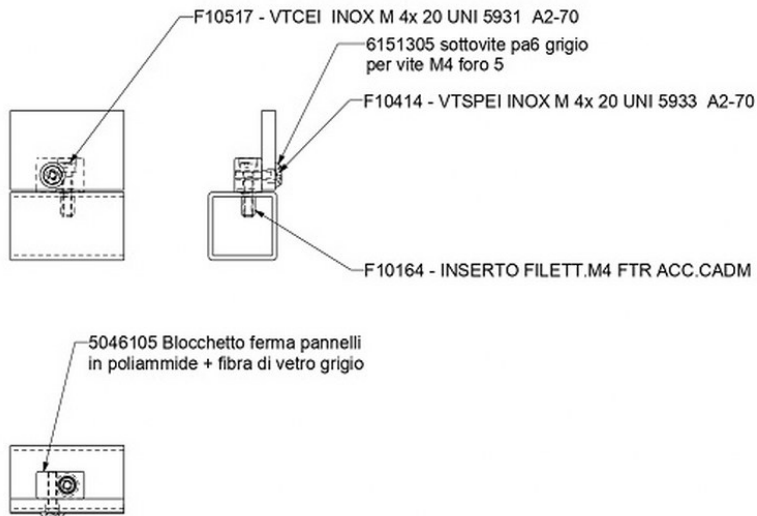
B1010-000147 **NEW**

5046105T



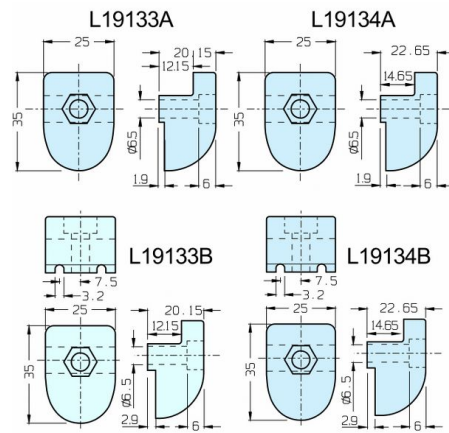
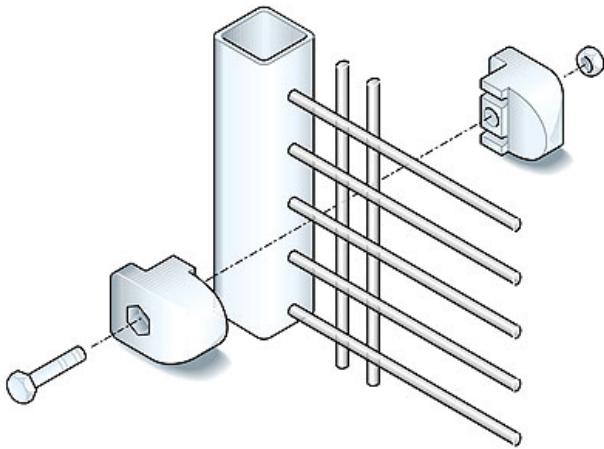
Fixed/removable sheet Trogamid support
 Dimension: 18x12x15mm
 Weight: 0.025 Kg
 Finish: Trasparent

Assembly example



Mesh clamps

L19134



Polyamide (with fiberglass) clamp for mesh locking.

Color: RAL 7039

Weight: 0.030 kg

The distance of 10 mm of the panel from the profile makes the protection completely washable.

Code	New Code	Use	Code profile
L19133A + L19133B	B1050-001953 + B1050-001954	Type 1	A 40709
L19134A + L19134B	B1050-001955 + B1050-001956	Type 1	A 40710
L19133B + L19133B	B1050-001954 + B1050-001954	Type 2	A 40709
L19134B + L19134B	B1050-001956 + B1050-001956	Type 2	A 40710

Parts



Cod. L19133A
B1050-001953 **NEW**
Support for panel blocking



Cod. L19133B
B1050-001954 **NEW**
Support for panel blocking



Cod. L19134A
B1050-001955 **NEW**
Support for panel blocking



Cod. L19134B
B1050-001956 **NEW**
Support for panel blocking



Cod. F10541
B1080-001175 **NEW**
Stainless steel socket head cap screw M6x40

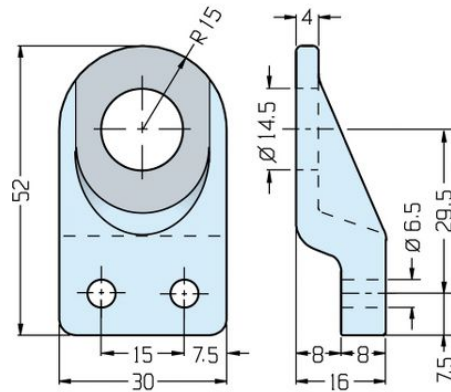
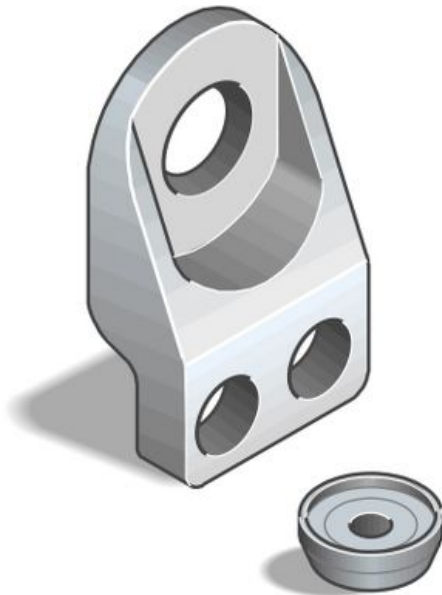


Cod. F11956
B1080-000814 **NEW**
Stainless steel hex. nut M6

Magnet support D14

B1050-001961 NEW

L19162



Magnet support D14 complete with magnetic striker
Weight: 0.014 kg
Finish: colour RAL 7039

Parts



Cod. **F10166**
 B1080-001067 **NEW**
 M6 threaded insert



Cod. **F10538**
 B1080-000445 **NEW**
 Stainless steel socket
 head cap screw M6x20
 T=4



Cod. **F10164**
 B1080-001065 **NEW**
 M4 threaded insert

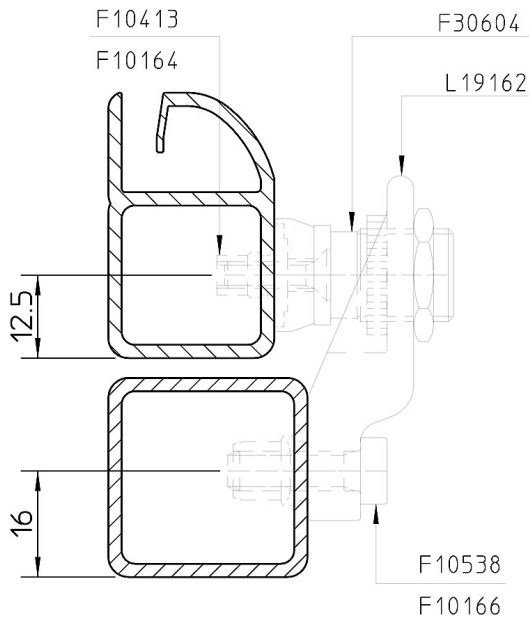


Cod. **F10413**
 B1080-001124 **NEW**
 Stainless steel
 countersunk socket
 screw M4x16



Cod. **F30604**
 B1050-000812 **NEW**
 Magnet complete with
 counter-magnet and
 ring nuts

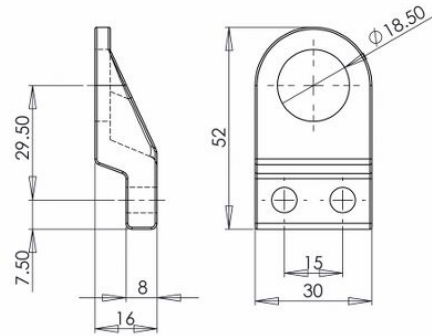
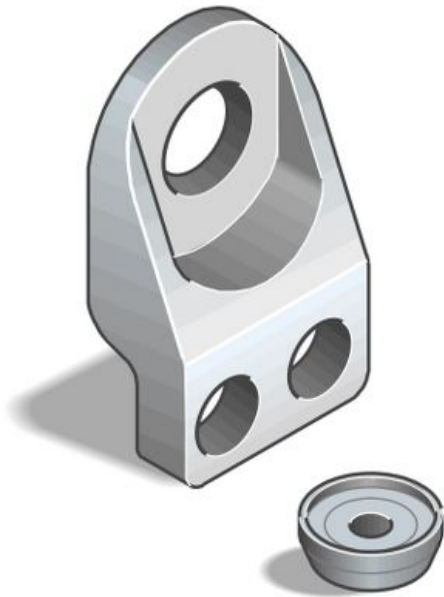
Assembly example



Magnet support D18

B1050-000163 NEW

L19168



Magnet support D18 complete with magnetic striker
Weight: 0.013 kg
Finish: colour RAL 7039

Parts



Cod. **F10166**
 B1080-001067 **NEW**
 M6 threaded insert



Cod. **F10538**
 B1080-000445 **NEW**
 Stainless steel socket head cap screw M6x20 T=4



Cod. **F10164**
 B1080-001065 **NEW**
 M4 threaded insert

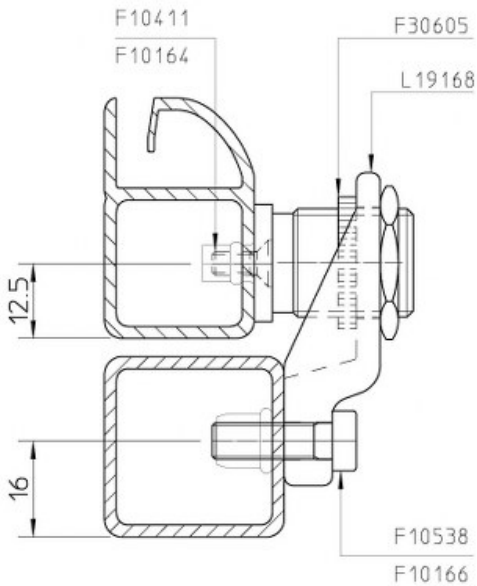


Cod. **F10413**
 B1080-001124 **NEW**
 Stainless steel countersunk socket screw M4x16



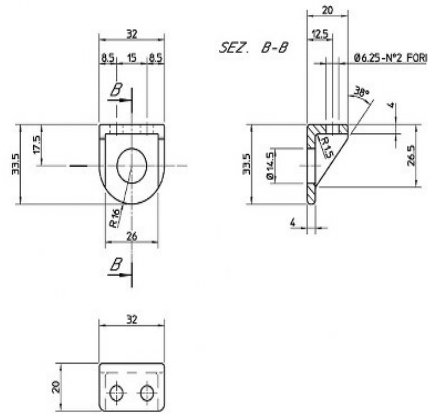
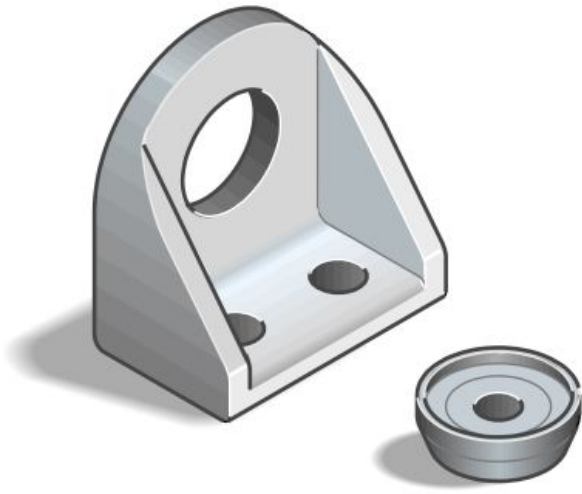
Cod. **F30605**
 B1050-000813 **NEW**
 Magnet complete with counter-magnet and ring nuts

Assembly example



Magnet support D14, 90°

B1050-001964 NEW L19165



Magnet support D14, 90°, complete with magnetic striker
 Weight: 0.009 kg
 Finish: colour RAL 7039

Parts



Cod. **F10166**
 B1080-001067 **NEW**
 M6 threaded insert



Cod. **F10538**
 B1080-000445 **NEW**
 Stainless steel socket
 head cap screw M6x20
 T=4



Cod. **F10164**
 B1080-001065 **NEW**
 M4 threaded insert

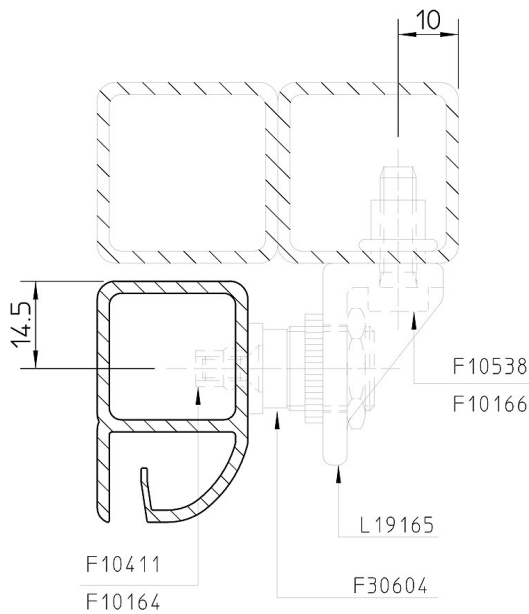


Cod. **F10413**
 B1080-001124 **NEW**
 Stainless steel
 countersunk socket
 screw M4x16



Cod. **F30604**
 B1050-000812 **NEW**
 Magnet complete with
 counter-magnet and
 ring nuts

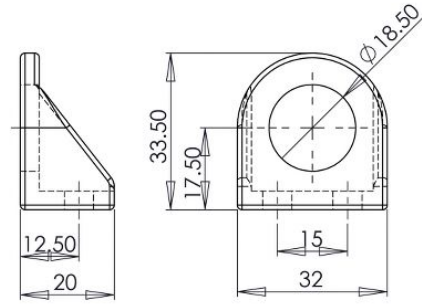
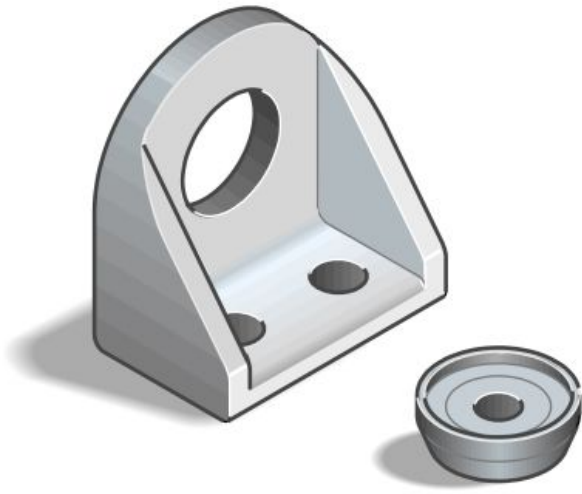
Assembly example



Magnet support D18, 90°

B1050-001968 NEW

L19169



Magnet support D18, 90°, complete with magnetic striker
 Weight: 0.008 kg
 Finishing: colour RAL 7039

Parts



Cod. **F10166**
 B1080-001067 **NEW**
 M6 threaded insert



Cod. **F10538**
 B1080-000445 **NEW**
 Stainless steel socket
 head cap screw M6x20
 T=4



Cod. **F10164**
 B1080-001065 **NEW**
 M4 threaded insert

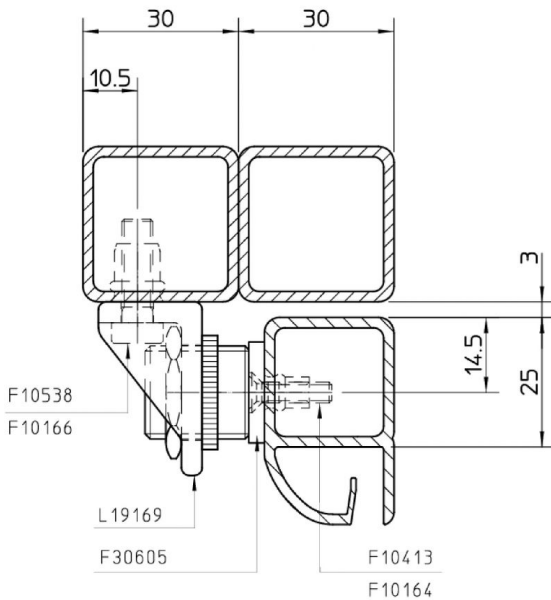


Cod. **F10413**
 B1080-001124 **NEW**
 Stainless steel
 countersunk socket
 screw M4x16



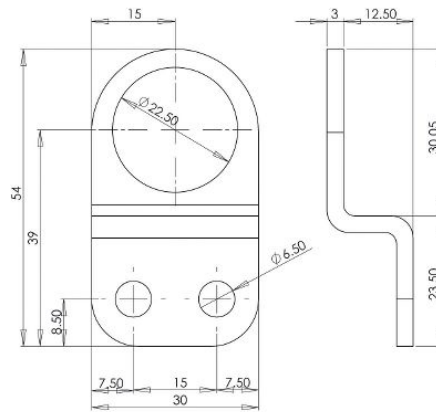
Cod. **F30605**
 B1050-000813 **NEW**
 Magnet complete with
 counter-magnet and
 ring nuts

Assembly example



Stainless steel magnet support D22

B1010-093812 NEW 1C0200250034



Stainless steel magnet support D22

Parts



Cod. **F10166**
B1080-001067 **NEW**
M6 threaded insert

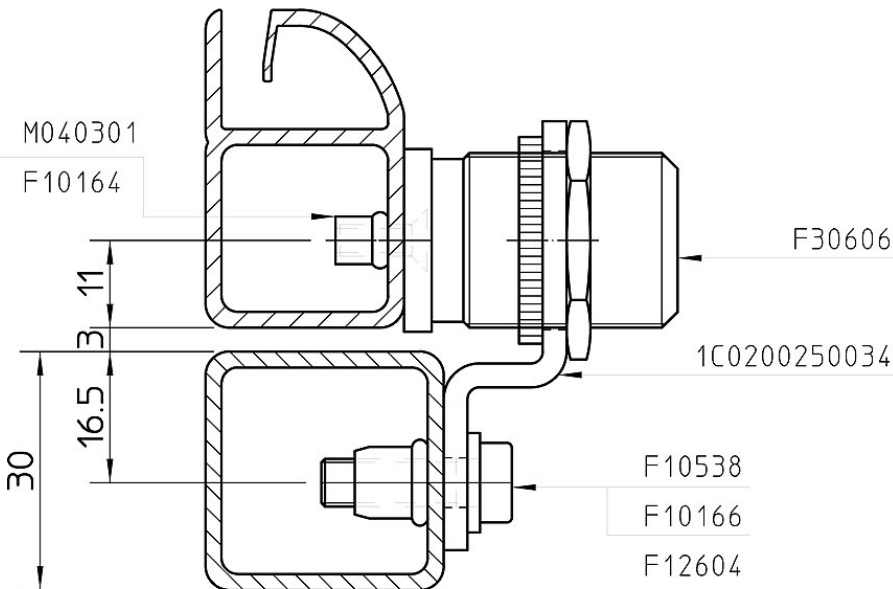


Cod. **F10538**
B1080-000445 **NEW**
Stainless steel socket
head cap screw M6x20
T=4



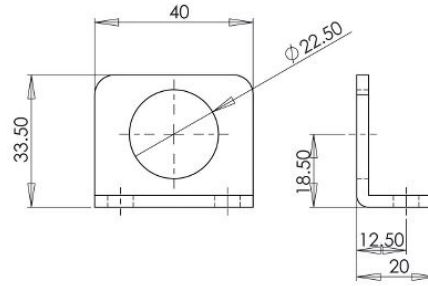
Cod. **F30606**
B1050-000815 **NEW**
Magnet complete with
counter-magnet and
ring nuts

Assembly example



Stainless steel magnet support D22, 90°

B1010-093817 NEW 1C0200250105



Stainless steel magnet support D22, 90°

Parts



Cod. **F10166**
B1080-001067 **NEW**
M6 threaded insert

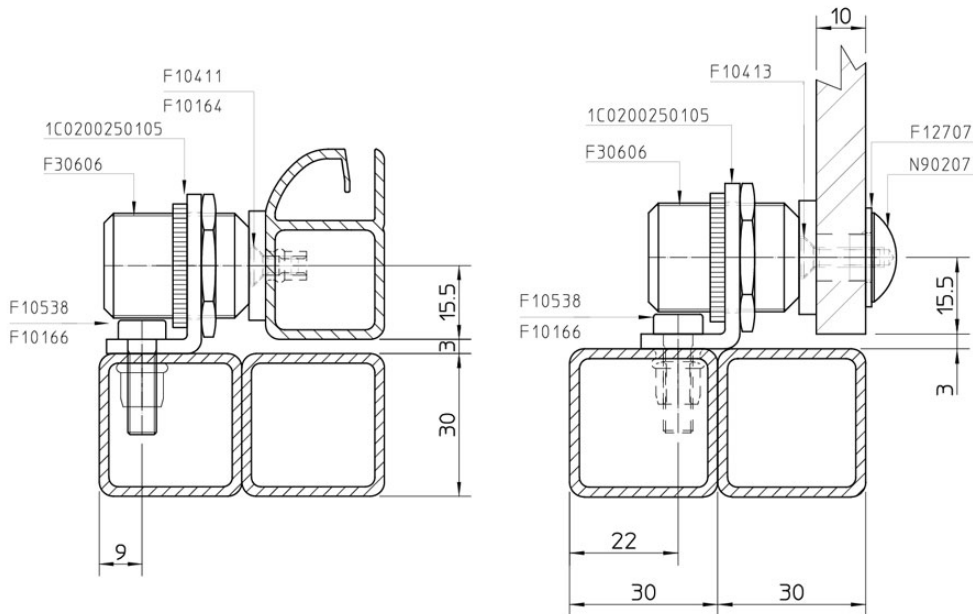


Cod. **F10538**
B1080-000445 **NEW**
Stainless steel socket head cap screw M6x20 T=4



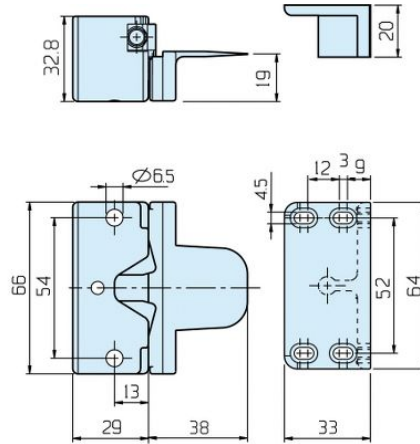
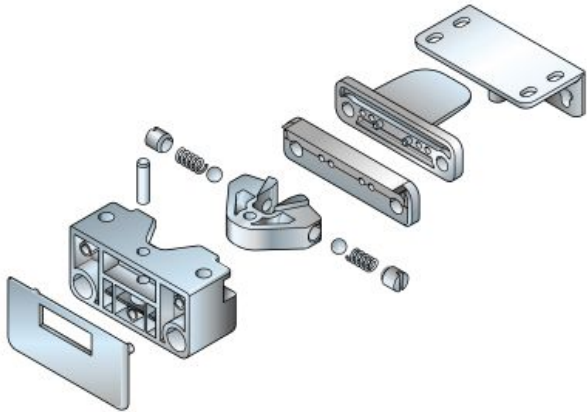
Cod. **F30606**
B1050-000815 **NEW**
Magnet complete with counter-magnet and ring nuts

Assembly example



Adjustable snap closing for sliding door

B1050-001969 **NEW** **L19170**



Adjustable snap closing for sliding door
Finish: colour RAL 7039

Parts



Cod. **F10164**
B1080-001065 **NEW**
M4 threaded insert



Cod. **F10536**
B1080-000446 **NEW**
Stainless steel socket
head cap screw M6x25



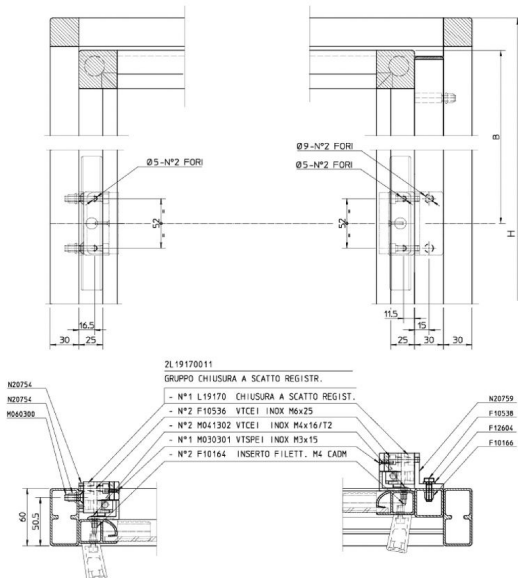
Cod. **M030301**
Stainless steel
countersunk socket
screw M3x15



Cod. **M041302**
Stainless steel
socket head cap
screw M4x16 T=2

Assembly example

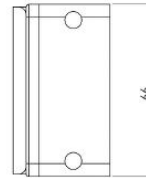
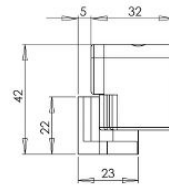
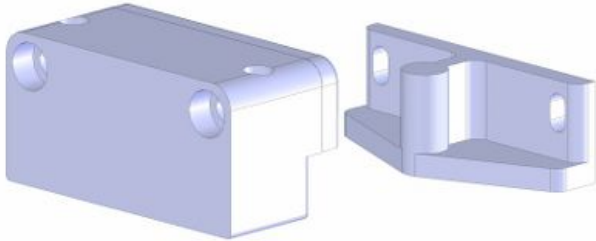
SCORREVOLE A 2 ANTE



Adjustable snap closing for door

B1050-000790 NEW

L19171



Adjustable snap closing for door
Finish: colour RAL 7039

Parts



Cod. **F10164**
B1080-001065 **NEW**
M4 threaded insert



Cod. **F10166**
B1080-001067 **NEW**
M6 threaded insert



Cod. **F10541**
B1080-001175 **NEW**
Stainless steel socket
head cap screw M6x40



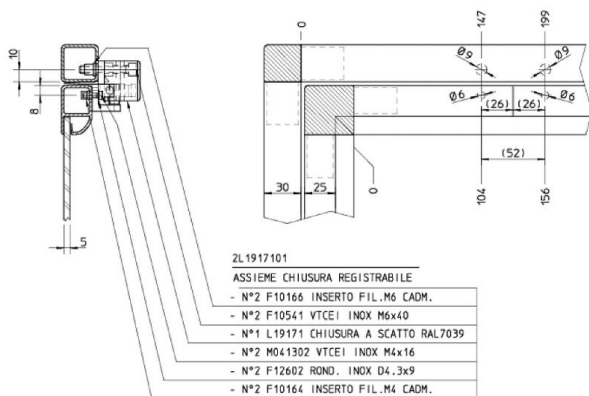
Cod. **F12602**
B1080-001276 **NEW**
Stainless steel washer
D4.3x9



Cod. **M041302**
Stainless steel
socket head cap
screw M4x16 T=2

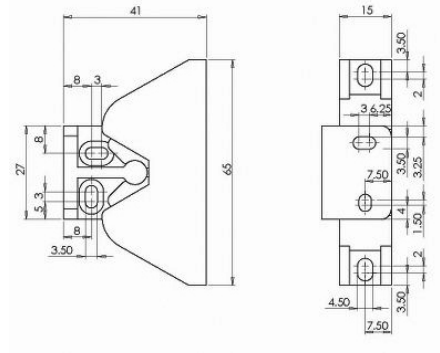
Assembly example

- Montaggio CHIUSURA A SCATTO 1 ANTA S/G



Spring catch

B1050-001335 NEW F30302



Spring catch
 Weight: 0.021 kg
 Finish: RAL7039 colour

Parts



Cod. **F10164**
 B1080-001065 **NEW**
 M4 threaded insert



Cod. **F10405**
 B1080-000636 **NEW**
 Stainless steel countersunk socket screw M3x12



Cod. **F10511**
 B1080-000411 **NEW**
 Stainless steel socket head cap screw M4x10

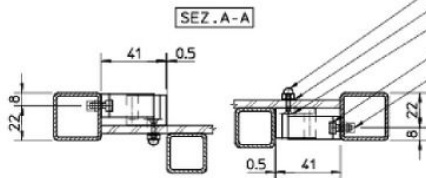
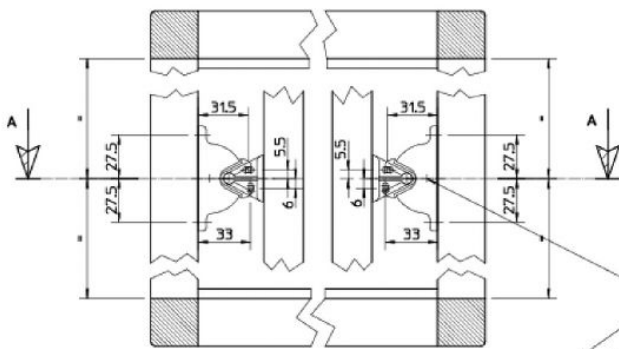


Cod. **F11702**
 B1080-001267 **NEW**
 Stainless steel blind nut M3



Cod. **F12601**
 B1080-001275 **NEW**
 Stainless steel washer D3.2x7

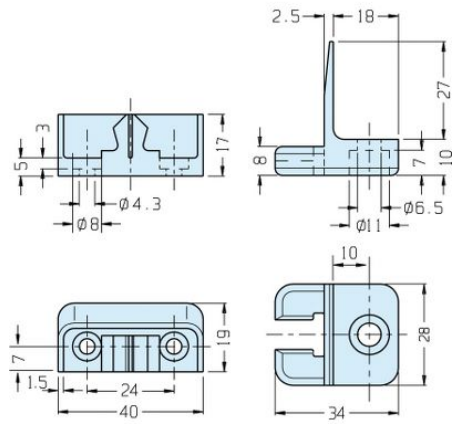
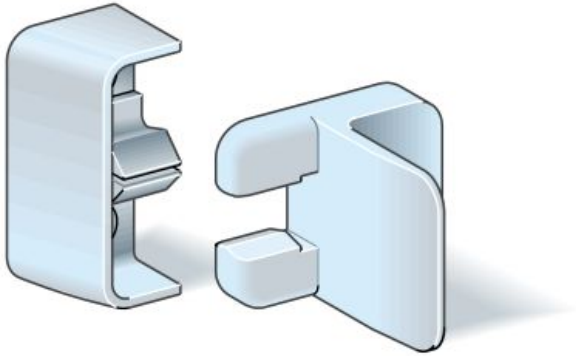
Assembly example



- 2F3030201
 INS. MOSCHETT. A SCATTO MONT/LASTRA
- N°1 F30302 MOSCHETT. A SCATTO ART. 1504-FB
 - N°2 F11702 DADO CIECO INOX M 3 UNI 5721
 - N°2 F12601 ROND. INOX D. 3.2x 7 UNI 6592 (a)
 - N°2 F10405 VTSPEI INOX M 3x 12 UNI 5933
 - N°2 F10511 VTCEI INOX M 4x 10 UNI 5931
 - N°2 F10164 INSERTO FILETT. M4 FTR ACC. CADM

Snap closing

B1050-001965 NEW **L19166**



Polyamide snap closing
Weight: 0.020 kg
Finish: colour RAL 7039

Parts



Cod. **F10164**
 B1080-001065 **NEW**
 M4 threaded insert



Cod. **F10166**
 B1080-001067 **NEW**
 M6 threaded insert

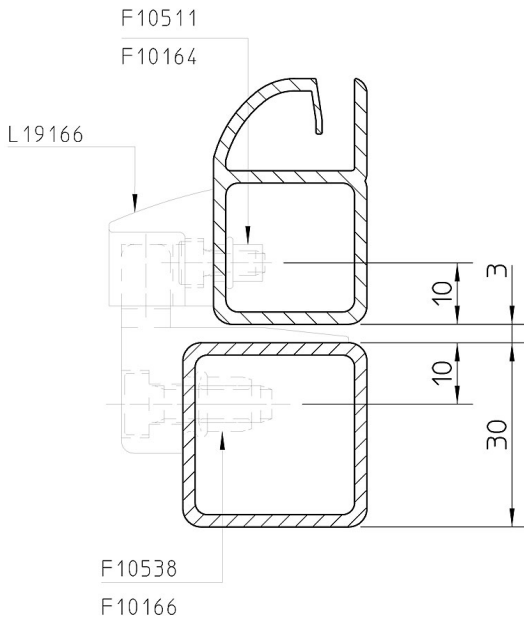


Cod. **F10538**
 B1080-000445 **NEW**
 Stainless steel socket
 head cap screw M6x20
 T=4



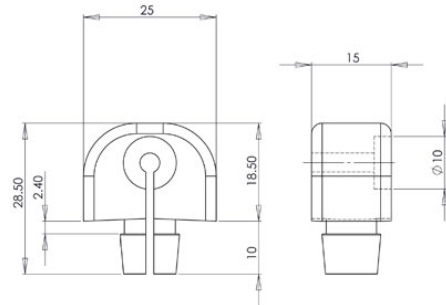
Cod. **F10511**
 B1080-000411 **NEW**
 Stainless steel socket
 head cap screw M4x10

Assembly example



Fixed/removable sheet support

B1050-000154 NEW **L15137**



Fixed/removable sheet polyamide (amorphous) support
 Weight: 0.005 Kg
 Finish: transparent

Parts



Cod. F12749
 B1080-001296 **NEW**
 D5/13 neutral screw
 under-support



Cod. F10386
 B1080-001116 **NEW**
 Cheese-headed screw
 4.8 x 19.1



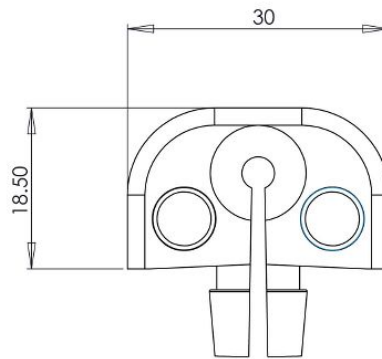
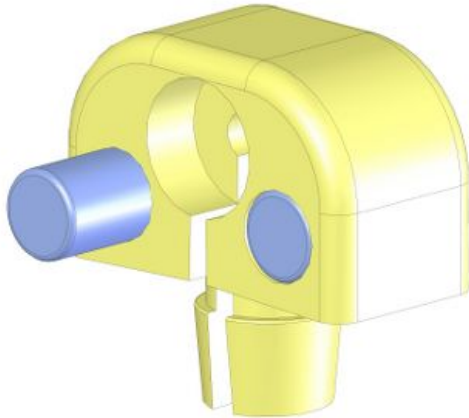
Cod. F12753
 B1080-001299 **NEW**
 Washer to make
 captive screw F10386

Assembly example

Montaggio SUPPORTO FISSO ASPORTABILE H/18 POLIAMMIDE					
PROFILO Q30	PROFILO Q25				
<p>2L1513701 LASTRE SP. 5 - 6 - 8</p> <p>2L1513701 SUPPORTO FISSO ASPORTABILE - N°1 L15137 SUPPORTO FISSO ASP.H=18 - N°1 F12753 RONDELLA PER VITE IMPERDIBILE (011) - N°1 F12749 SOTTOVITE NEUTRA D15x0x13 - N°1 F10386 VTC 4.8x19.1 INOX</p>	<p>2L1513701 LASTRE SP. 5 - 6 - 8</p> <p>2L1513701 SUPPORTO FISSO ASPORTABILE - N°1 L15137 SUPPORTO FISSO ASP.H=18 - N°1 F12753 RONDELLA PER VITE IMPERDIBILE (011) - N°1 F12749 SOTTOVITE NEUTRA D15x0x13 - N°1 F10386 VTC 4.8x19.1 INOX</p>				
<p>2L1513702 LASTRE SP. 10</p> <p>2L1513702 SUPPORTO FISSO ASPORTABILE - N°1 L15137 SUPPORTO FISSO ASP.H=18 - N°1 F12753 RONDELLA PER VITE IMPERDIBILE (011) - N°1 F12749 SOTTOVITE NEUTRA D15x0x13 - N°1 F10387 VTC 4.8x22.2 INOX</p>	<p>2L1513702 LASTRE SP. 10</p> <p>2L1513702 SUPPORTO FISSO ASPORTABILE - N°1 L15137 SUPPORTO FISSO ASP.H=18 - N°1 F12753 RONDELLA PER VITE IMPERDIBILE (011) - N°1 F12749 SOTTOVITE NEUTRA D15x0x13 - N°1 F10387 VTC 4.8x22.2 INOX</p>				
<p>MONTAGGIO LASTRA PER FIS.ASP. ...nrq1005_01</p>					
<table border="1"> <tr> <td>MILPASS</td> <td>nrq1005_04_00</td> </tr> <tr> <td>2020-08</td> <td>2020-08</td> </tr> </table>		MILPASS	nrq1005_04_00	2020-08	2020-08
MILPASS	nrq1005_04_00				
2020-08	2020-08				

Fixed/removable sheet support with ejector

B1050-001794 **NEW** **L15138**



Fixed/removable sheet polyamide (amorphous) support with ejector
 Finishing: trasparente
 Weight: 0,009 Kg

Parts



Cod. F12749
 B1080-001296 **NEW**
 D5/13 neutral screw
 under-support



Cod. F10386
 B1080-001116 **NEW**
 Cheese-headed screw
 4.8 x 19.1



Cod. F12753
 B1080-001299 **NEW**
 Washer to make
 captive screw F10386

Assembly example

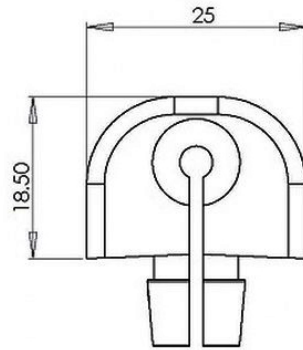
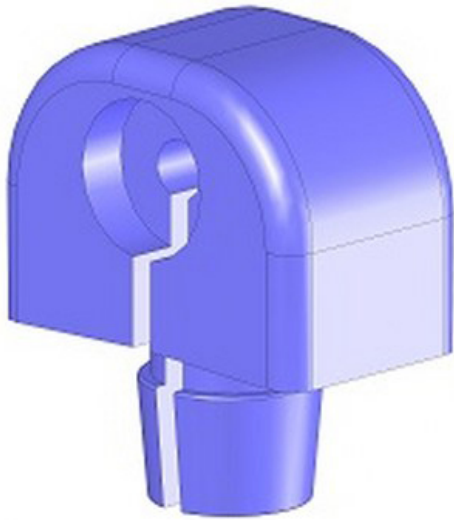
Montaggio SUPPORTO FISSO ASPORTABILE CON ESPULSORE H/18 POLIAMMIDE

PROFILO Q30		PROFILO Q25	
<p>2L1513801 LASTRE SP. 5 - 6 - 8</p> <p>ZL1513801 SUPPORTO FISSO ASPORTABILE CON ESPULSORE - N°1 L15138 SUPPORTO FISSO ASP. H=18 ESP. - N°1 F12753 RONDELLA PER VITE IMPERDIBILE (011) - N°1 F12749 SOTTIVITE NEUTRA D15x0x13 - N°1 F10386 VTC 4.8x19 INOX</p>	<p>2L1513801 LASTRE SP. 5 - 6 - 8</p> <p>ZL1513801 SUPPORTO FISSO ASPORTABILE CON ESPULSORE - N°1 L15138 SUPPORTO FISSO ASP. H=18 ESP. - N°1 F12753 RONDELLA PER VITE IMPERDIBILE (011) - N°1 F12749 SOTTIVITE NEUTRA D15x0x13 - N°1 F10386 VTC 4.8x19 INOX</p>		
<p>2L1513802 LASTRE SP. 10</p> <p>ZL1513802 SUPPORTO FISSO ASPORTABILE CON ESPULSORE - N°1 L15138 SUPPORTO FISSO ASP. H=18 ESP. - N°1 F12753 RONDELLA PER VITE IMPERDIBILE (011) - N°1 F12749 SOTTIVITE NEUTRA D15x0x13 - N°1 F10387 VTC 4.8x22.2 INOX</p>	<p>2L1513802 LASTRE SP. 10</p> <p>ZL1513802 SUPPORTO FISSO ASPORTABILE CON ESPULSORE - N°1 L15138 SUPPORTO FISSO ASP. H=18 ESP. - N°1 F12753 RONDELLA PER VITE IMPERDIBILE (011) - N°1 F12749 SOTTIVITE NEUTRA D15x0x13 - N°1 F10387 VTC 4.8x22.2 INOX</p>		

■ Detectable Fixed/removable sheet support

B1050-001793 **NEW**

L15137B



Fixed/removable sheet polyamide (amorphous) support

Weight: 0.005 Kg

Finish: Light blue / Grey colored

Delivery condition: Available upon request. Delivery to be agreed upon.

Parts



Cod. **F12749B**
B1080-001297 **NEW**
Detectable D5/13
neutral screw
under-support



Cod. **F10386**
B1080-001116 **NEW**
Cheese-headed screw
4.8 x 19.1

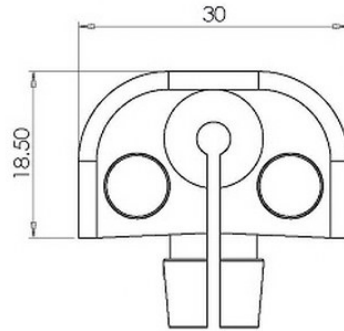
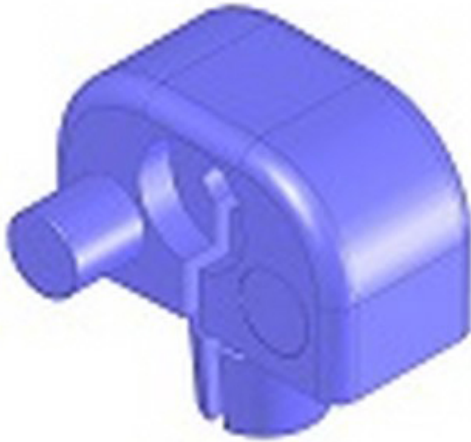


Cod. **F12753B**
B1080-001300 **NEW**
Detectable washer to
make captive screw
F10386

■ Detectable fixed/removable sheet support with ejector

B1050-001795 **NEW**

L15138B



Fixed/removable sheet polyamide (amorphous) support with ejector

Finishing: Light Blue / Grey colored

Weight: 0,009 Kg

Delivery condition: Available upon request. Delivery to be agreed upon.

Parts



Cod. F12749B
B1080-001297 **NEW**
Detectable D5/13
neutral screw
under-support



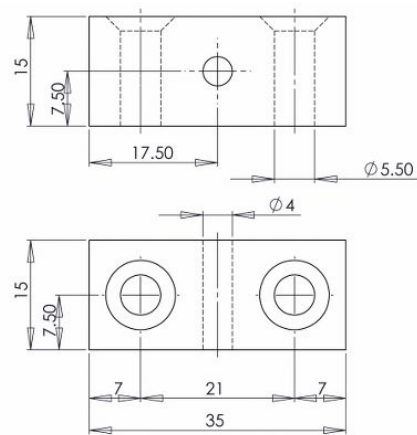
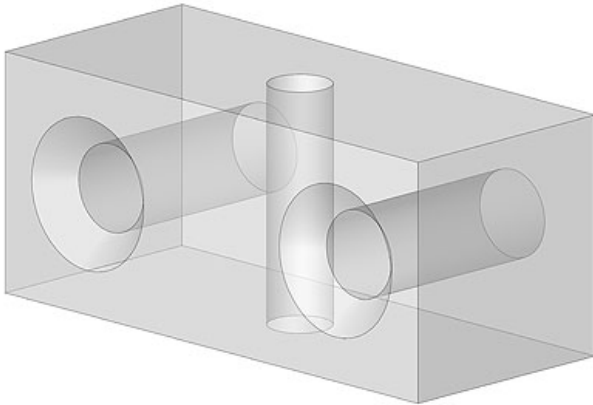
Cod. F10386
B1080-001116 **NEW**
Cheese-headed screw
4.8 x 19.1



Cod. F12753B
B1080-001300 **NEW**
Detectable washer to
make captive screw
F10386

Fixed/removable sheet polycarbonate support

B1050-000152 NEW **L15131**



Fixed/removable sheet polycarbonate support
Dimension: 15x15x35mm
Weight: 0.025 Kg
Finish: transparent

Parts



Cod. **F11704**
 B1080-001269 **NEW**
 Stainless steel blind
 nut M5



Cod. **F12603**
 B1080-001277 **NEW**
 Stainless steel washer
 D5.3x10

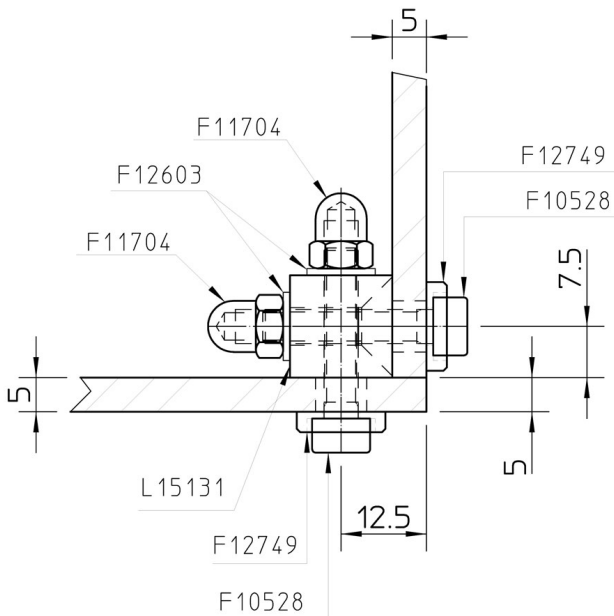


Cod. **F12749**
 B1080-001296 **NEW**
 D5/13 neutral screw
 under-support



Cod. **F10528**
 B1080-001169 **NEW**
 Stainless steel socket
 head screw VTCE1
 M5x25

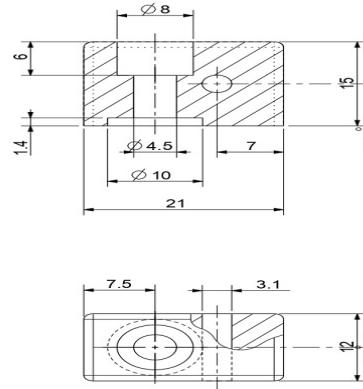
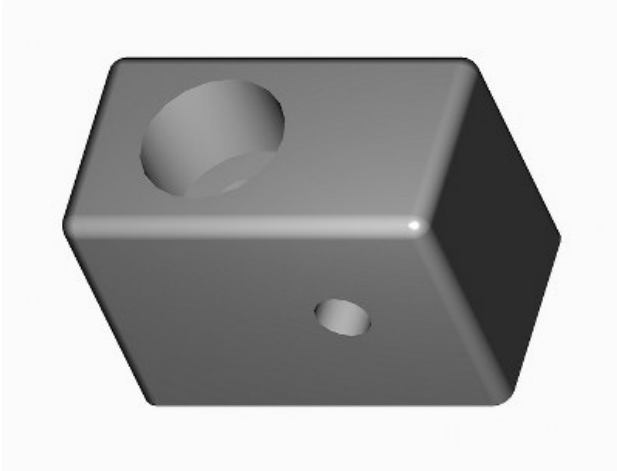
Assembly example



■ Gley glass fiber block for removable panel

B1050-000981 NEW

5046105



Fixed/removable sheet amorphous polyamide support
 Dimension: 18x12x15mm
 Weight: 0.025 Kg
 Finish: natural grey

Assembly example

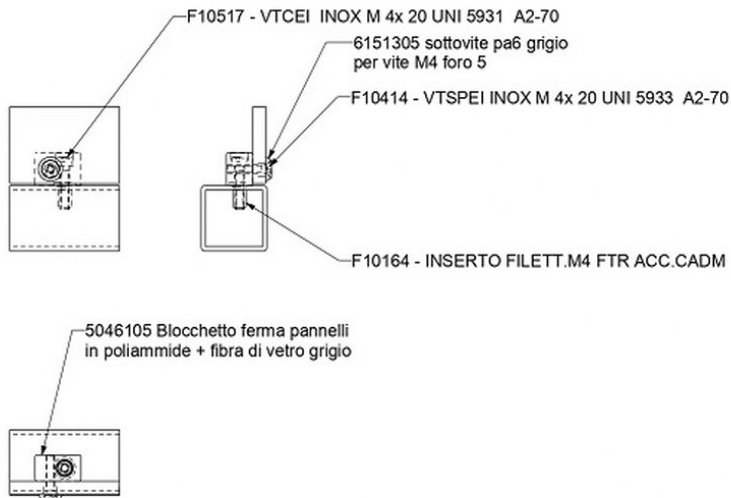


Plate supports

B1050-001792 **NEW**

L15136

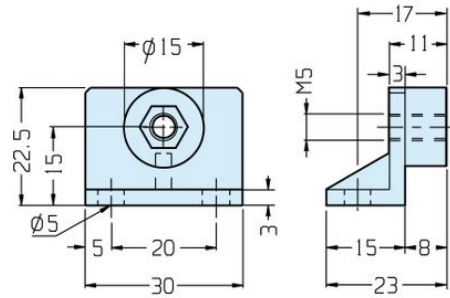
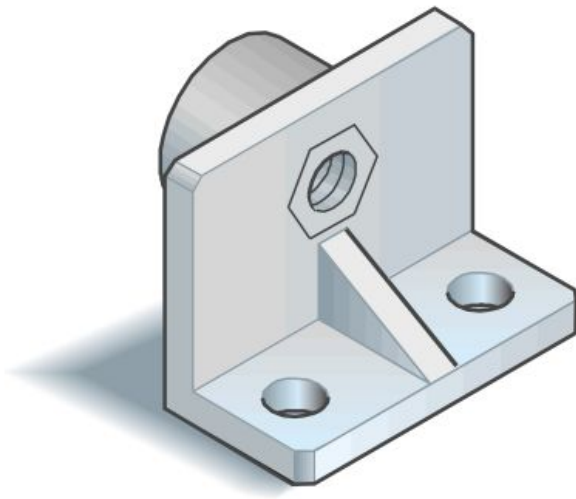


Plate support complete with M5 metal insert
 Weight: 0.007 kg
 Finish: colour RAL 7001

Parts

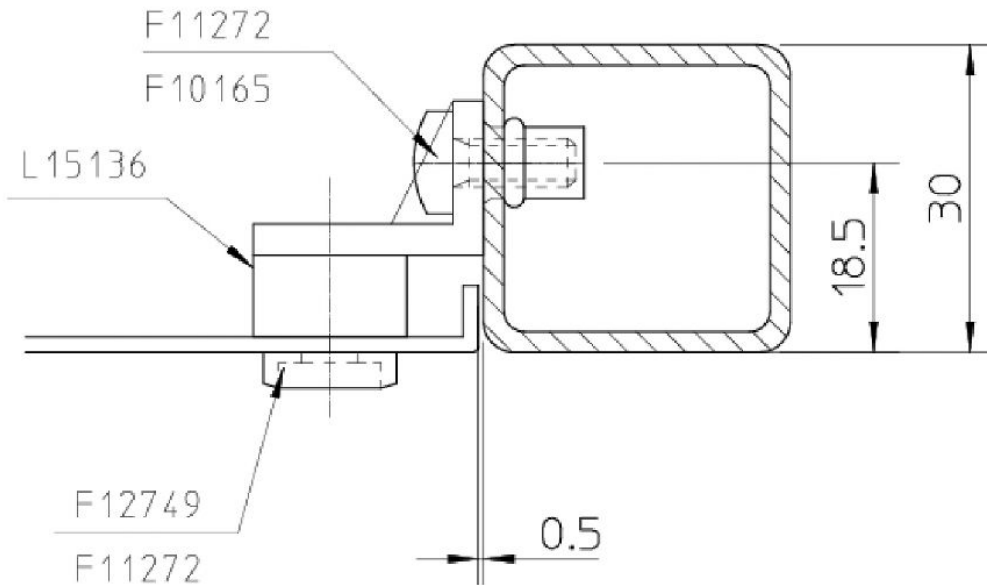


Cod. **F11272**
 B1080-001247 **NEW**
 Stainless steel
 cross/cheese-headed
 screw M5x12



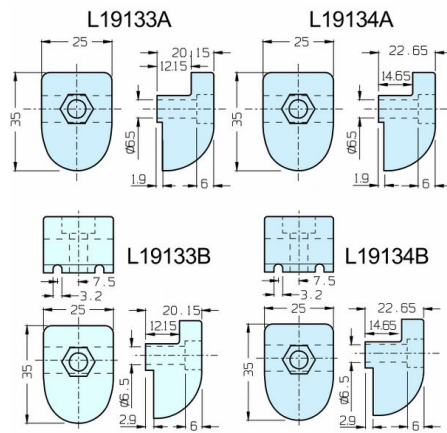
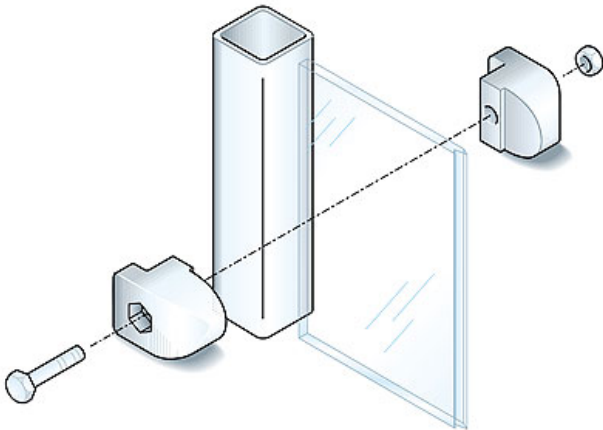
Cod. **F12749**
 B1080-001296 **NEW**
 D5/13 neutral screw
 under-support

Assembly example



Sheet clamps

L19133



Polyamide (with fiberglass) clamp for sheet locking.

Color: RAL 7039

Weight: 0.030 kg

The distance of 10 mm of the panel from the profile makes the protection completely washable.

Code	New Code	Use	Code profile
L19133A + L19133A	B1050-001953 + B1050-001953	Sheet sp. 4	A 40709
L19134A + L19134A	B1050-001955 + B1050-001955	Sheet sp. 4	A 40710
L19133A + L19133B	B1050-001953 + B1050-001954	Sheet sp. 5	A 40709
L19134A + L19134B	B1050-001955 + B1050-001956	Sheet sp. 5	A 40710
L19133B + L19133B	B1050-001954 + B1050-001954	Sheet sp. 6	A 40709
L19134B + L19134B	B1050-001956 + B1050-001956	Sheet sp. 6	A 40710

Parts



Cod. L19133A
B1050-001953 **NEW**
Support for panel blocking



Cod. L19133B
B1050-001954 **NEW**
Support for panel blocking



Cod. L19134A
B1050-001955 **NEW**
Support for panel blocking



Cod. L19134B
B1050-001956 **NEW**
Support for panel blocking



Cod. F10541
B1080-001175 **NEW**
Stainless steel socket head cap screw M6x40

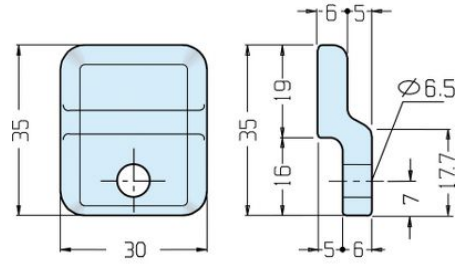
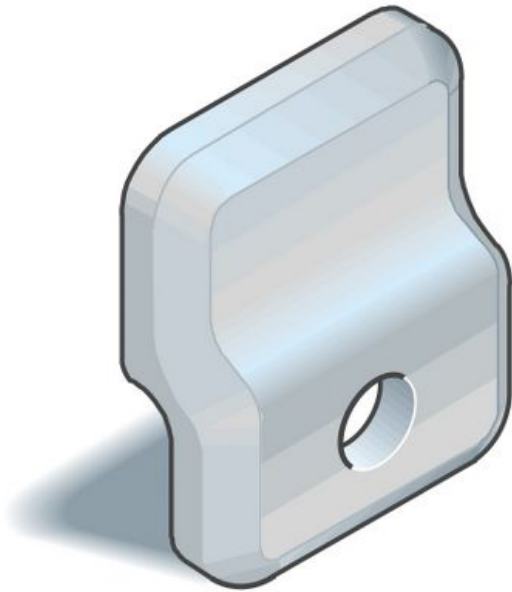


Cod. F11956
B1080-000814 **NEW**
Stainless steel hex. nut M6

Large door stop

B1050-001958 **NEW**

L19153



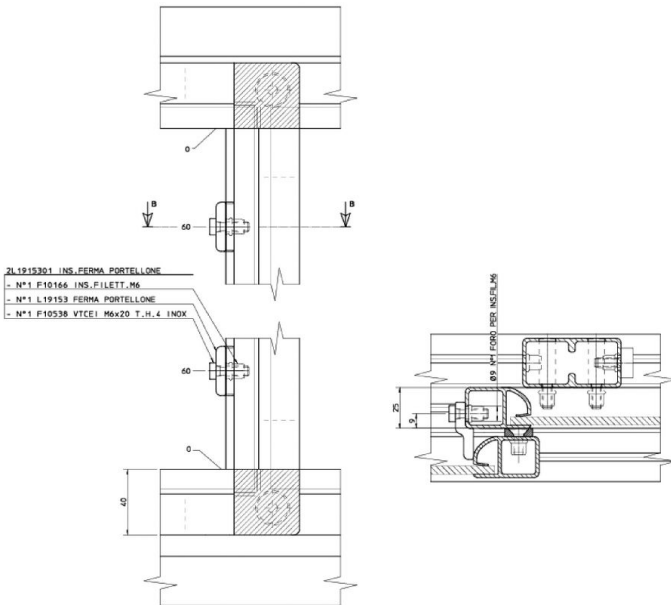
Polyamide large door stop
 Weight: 0.009 kg
 Finish: colour RAL 7039

Parts



Cod. **F10538**
 B1080-000445 **NEW**
 Stainless steel socket
 head cap screw M6x20
 T=4

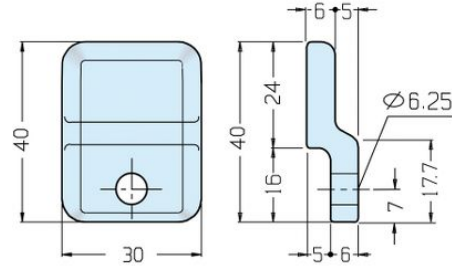
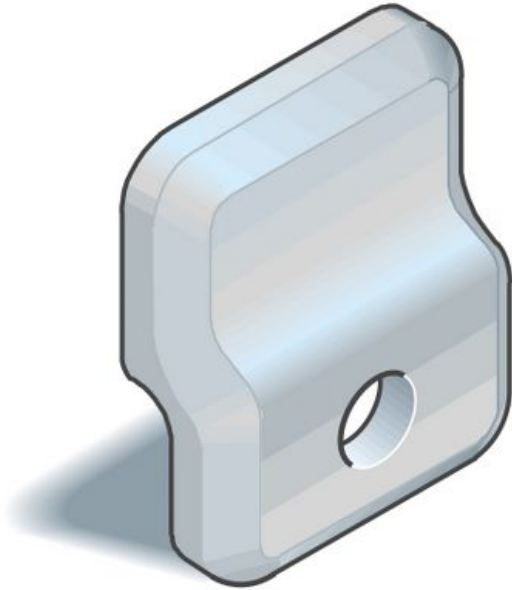
Assembly example



Large door long stop

B1050-001959 NEW

L19155



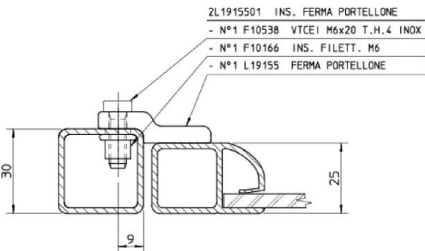
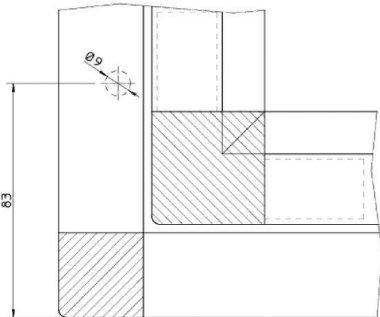
Polyamide large door long stop
 Weight: 0.010 kg
 Finish: colour RAL 7039

Parts



Cod. F10538
 B1080-000445 NEW
 Stainless steel socket
 head cap screw M6x20
 T=4

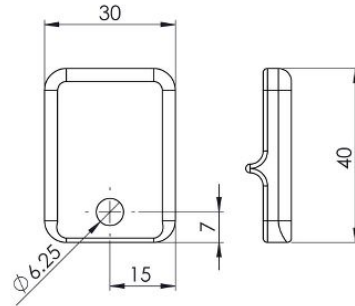
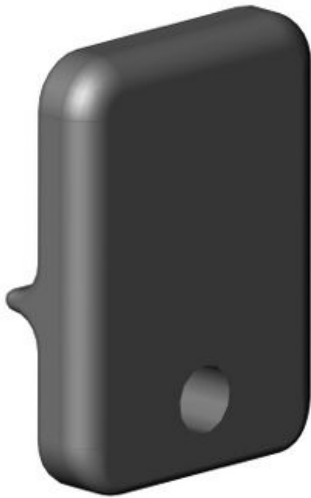
Assembly example



Large door linear stop

B1050-001960 NEW

L19156



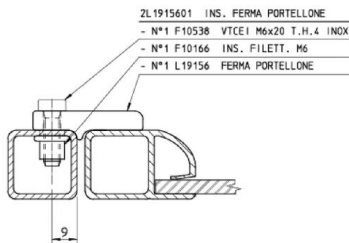
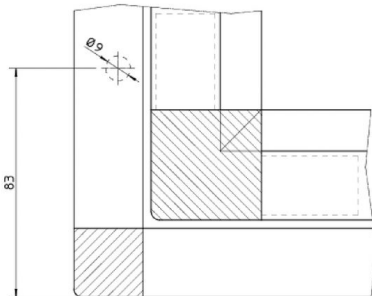
Polyamide large door linear stop
 Weight: 0.010 kg
 Finish: colour RAL 7039

Parts



Cod. F10538
 B1080-000445 NEW
 Stainless steel socket
 head cap screw M6x20
 T=4

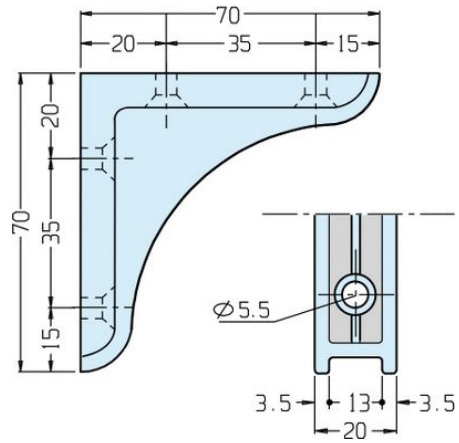
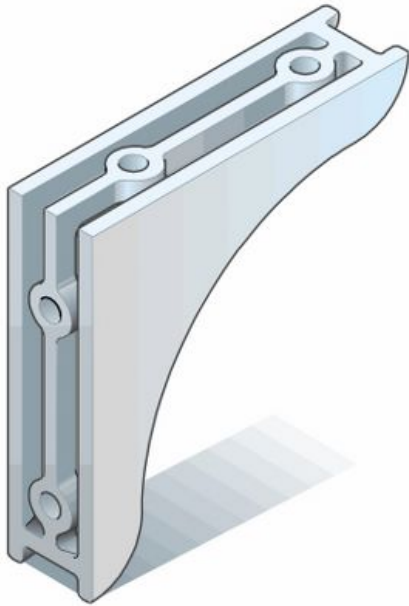
Assembly example



45° stiffener supports

B1050-001963 NEW

L19164



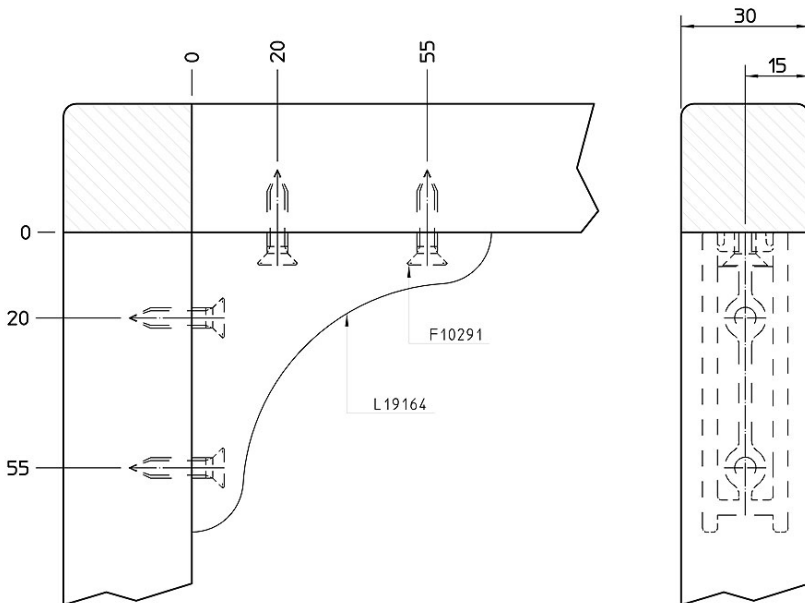
Polyamide stiffener support for 45° corners
 Weight: 0.025 kg
 Finish: colour RAL 7039

Parts



Cod. F10291
 B1080-001097 NEW
 Stainless steel
 flathead screw
 4.8x22.2

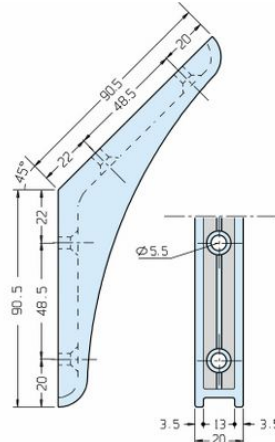
Assembly example



90° stiffener supports

B1050-001962 NEW

L19163



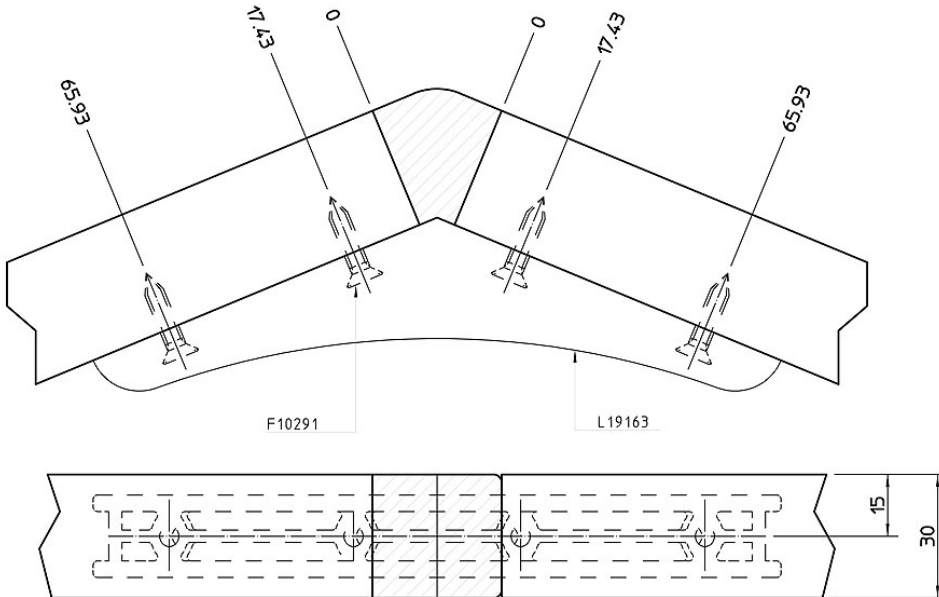
Polyamide stiffener support for 45° angles
 Weight: 0.040 kg
 Finish: colour RAL 7039

Parts



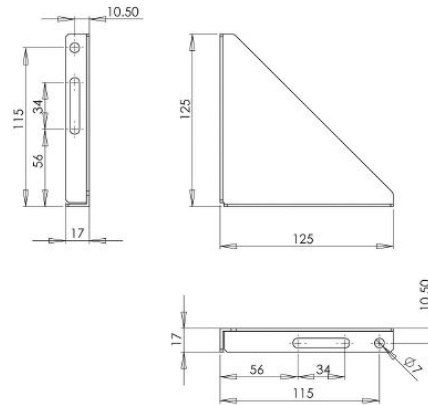
Cod. **F10291**
 B1080-001097 **NEW**
 Stainless steel
 flathead screw
 4.8x22.2

Assembly example



Stainless steel 90° stiffener supports

B1050-002089 NEW N20851



Stainless steel AISI304 stiffener support for 90° corners
 Weight: 0,180 kg
 Finish: butter finish

Parts

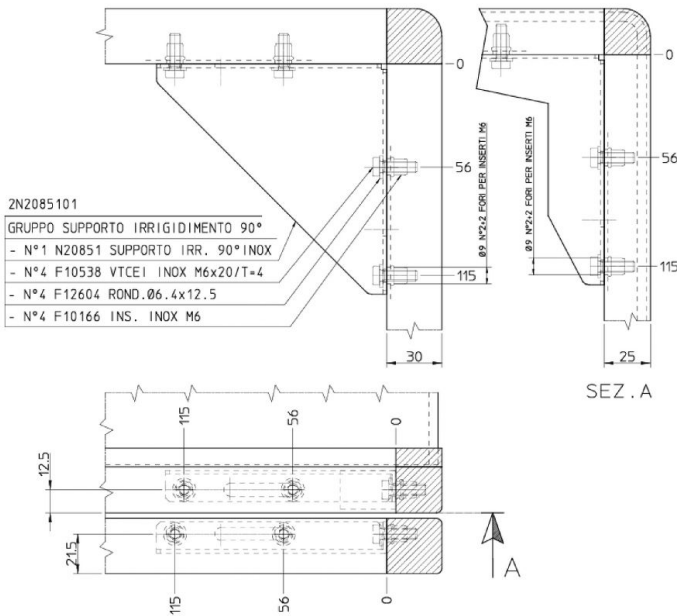


Cod. F10166
 B1080-001067 NEW
 M6 threaded insert



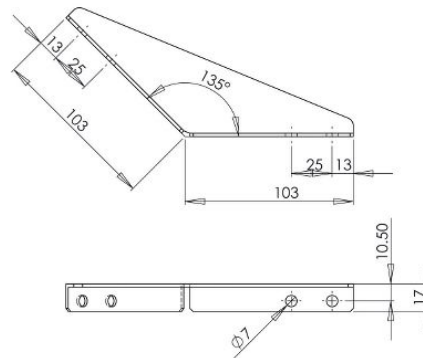
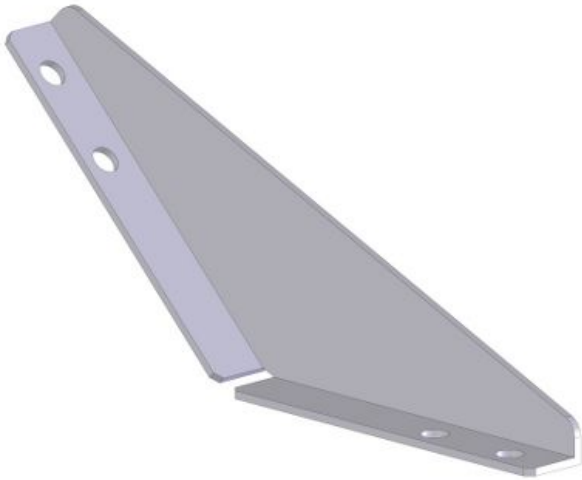
Cod. F10538
 B1080-000445 NEW
 Stainless steel socket
 head cap screw M6x20
 T=4

Assembly example



Stainless steel 45° stiffener supports

B1050-002091 NEW N20852



Stainless steel AISI 304 stiffener support for 45° corners
 Weight: 0,125 kg
 Finish: butter finish

Parts



Cod. **F10166**
 B1080-001067 **NEW**
 M6 threaded insert

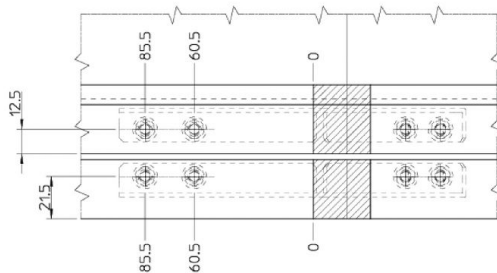
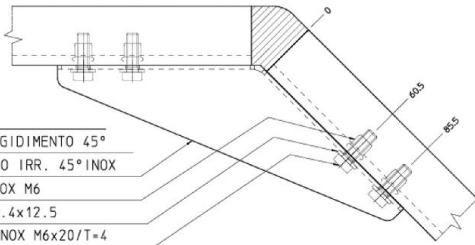


Cod. **F10538**
 B1080-000445 **NEW**
 Stainless steel socket
 head cap screw M6x20
 T=4

Assembly example

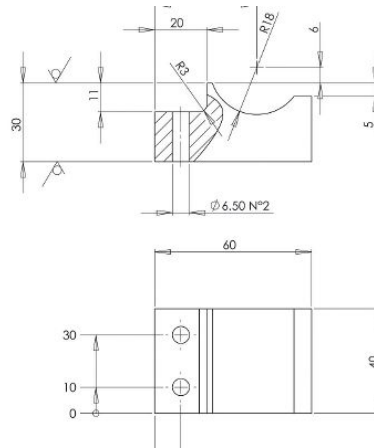
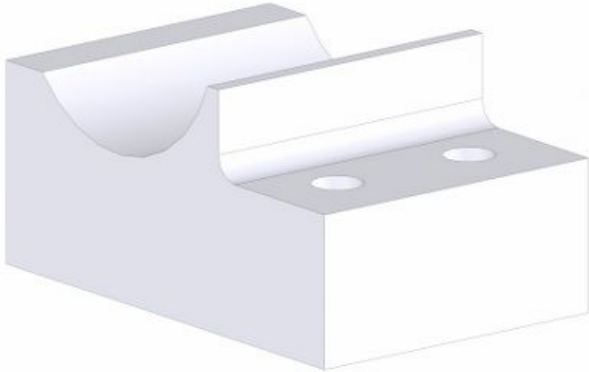
2N2085201

- GRUPPO SUPPORTO IRRIGIDIMENTO 45°
- N°1 N20852 SUPPORTO IRR. 45° INOX
- N°4 F10166 INS. INOX M6
- N°4 F12604 ROND. Ø6.4x12.5
- N°4 F10538 VTCEI INOX M6x20/T=4



Large door stiffener supports

B1050-002110 **NEW** **N40131**



Central stiffener support to prevent large door bending
 Material: Polizene 1000
 Color: white

Parts

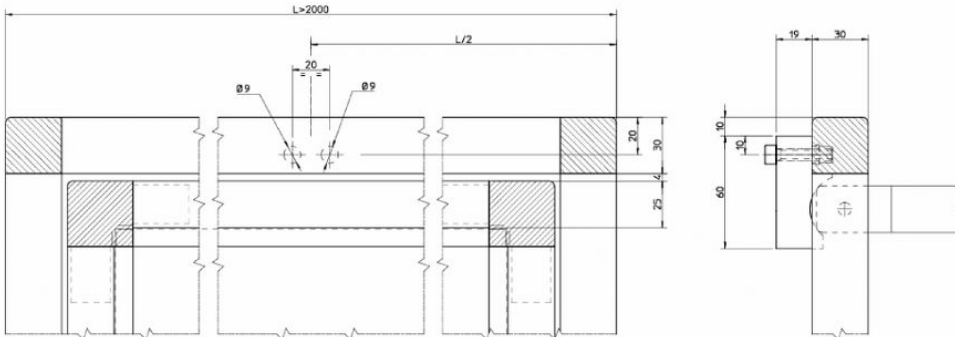


Cod. **F10166**
 B1080-001067 **NEW**
 M6 threaded insert

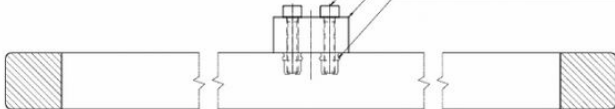


Cod. **F10540**
 B1080-000447 **NEW**
 Stainless steel socket
 head cap screw M6x30

Assembly example



- 2N4013101
 GRUPPO SOSTEGNO CENTR. PORTELLONE
 - N°2 F10540 VTCEI INOX M6x30 UNI 5931
 - N°1 N40131 SUPPORTO SOST. PORTELLONE
 - N°2 F10166 INSERTO FIL. M6 FTR ACC. CADM



HANDLES

The "Handles" section includes all the components currently manufactured by **Lpm Group** and available in stock.

All components in this section are in RAL 7039 colour like all the polyamide accessories belonging to **Lpm Group** system.

The Polyamide Polymer "6" is reinforced with fiberglass and contains a percentage of elastomer which improves its resistance to deformation, without making it elastic, and avoiding the resulting brittle fracture.

The technical characteristics, sizes and especially weights of products are indicative as they may vary and be subject to functional changes based on enhancements and production issues, which are the sole responsibility of Lpm Group.

Product technical characteristics

Structure:

- Partially crystalline thermoplastic material
- 25 mm diameter stainless steel tube for the handle bar;

Reinforcement material: fiberglass

Colour:

- RAL 7039 (standard)
- Orange (only in the components where indicated)

Mechanical characteristics:

- Resistance to wear
- Highly shock-resistant
- Good resistance to ageing

Electrical characteristics: good resistance to contact current

Thermal characteristics: VICAT (softening point) 215°C

Resistant to:

- Hydrocarbons
- Petrol
- Oil and grease
- Alkaline solutions in general

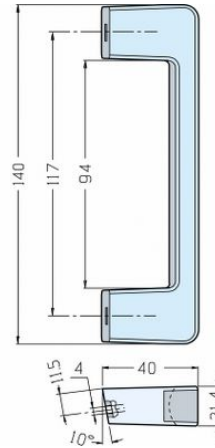
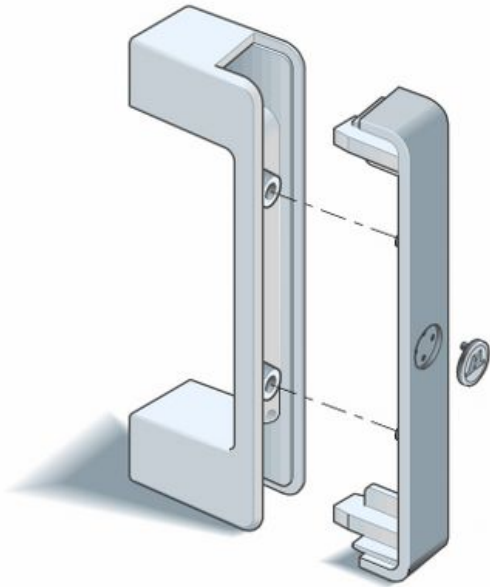
Food Compatibility: To be verified depending on applications

Supply conditions: In a package only where indicated on the specific component

Standard open handle

B1050-000733 NEW

L19201



Open handle
Material: Polyamide
Colour: RAL 7039
Weight: 0.026 Kg

Parts



Cod. **L15206**
 B1050-001813 **NEW**
 Polyamide
 handle-cover (with
 fiberglass). Color:
 Orange



Cod. **L19207**
 B1050-000736 **NEW**
 Polyamide
 handle-cover (with
 fiberglass). Color: RAL
 7039



Cod. **F10165**
 B1080-001066 **NEW**
 M5 threaded insert



Cod. **F10525**
 B1080-000426 **NEW**
 Stainless steel socket
 head cap screw M5x14

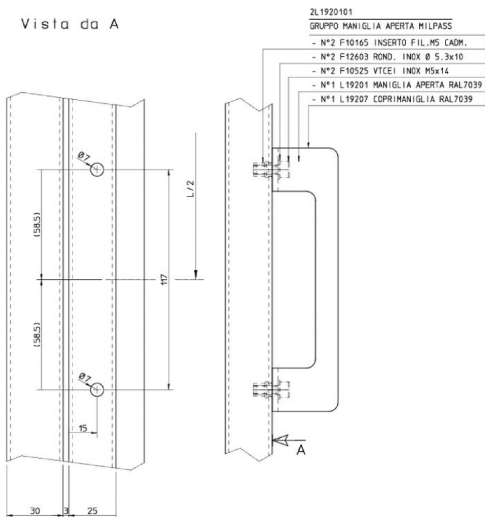


Cod. **F12603**
 B1080-001277 **NEW**
 Stainless steel washer
 D5.3x10

Assembly example

Montaggio MANIGLIA MILPASS APERTA

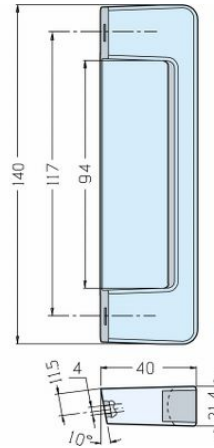
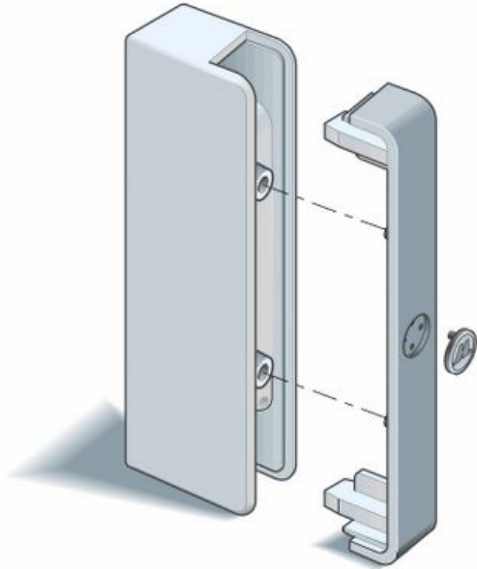
Vista da A



Standard closed handle

B1050-000734 NEW

L19202



Closed handle

Material: Polyamide

Colour: RAL 7039

Weight: 0.036 Kg

Parts



Cod. **L15206**
B1050-001813 **NEW**
Polyamide
handle-cover (with
fiberglass). Color:
Orange



Cod. **L19207**
B1050-000736 **NEW**
Polyamide
handle-cover (with
fiberglass). Color: RAL
7039



Cod. **F10165**
B1080-001066 **NEW**
M5 threaded insert



Cod. **F10525**
B1080-000426 **NEW**
Stainless steel socket
head cap screw M5x14

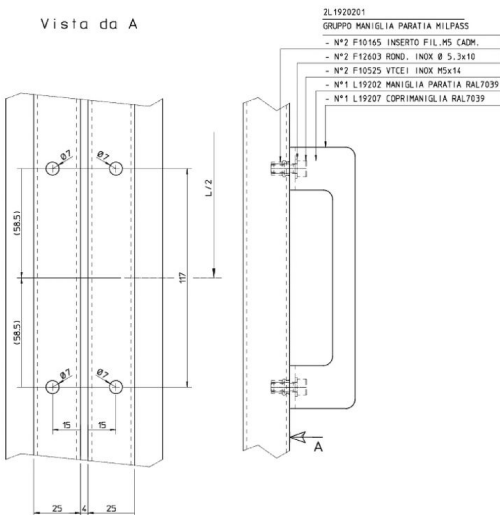


Cod. **F12603**
B1080-001277 **NEW**
Stainless steel washer
D5.3x10

Assembly example

Montaggio MANIGLIA MILPASS CON PARATIA

Vista da A



Bar handle diameter 25 mm RAL 7039

B1050-001344 NEW

F31111AA

Bar handle with D25 tube

Colour: RAL 7039

Note: aluminum tube length is made to order. For lengths above 600mm, it is recommended to use a third stiffening element.



Parts



Cod. L19217A
B1050-001973 NEW
Bar handle closing pin
D25



Cod. L19218A
B1050-000738 NEW
Cap with brand for bar
handle D25, Orange



Cod. L19219A
B1050-000739 NEW
Bar handle side cover
D25



Cod. L19220A
B1050-001978 NEW
Bar handle spacer D25



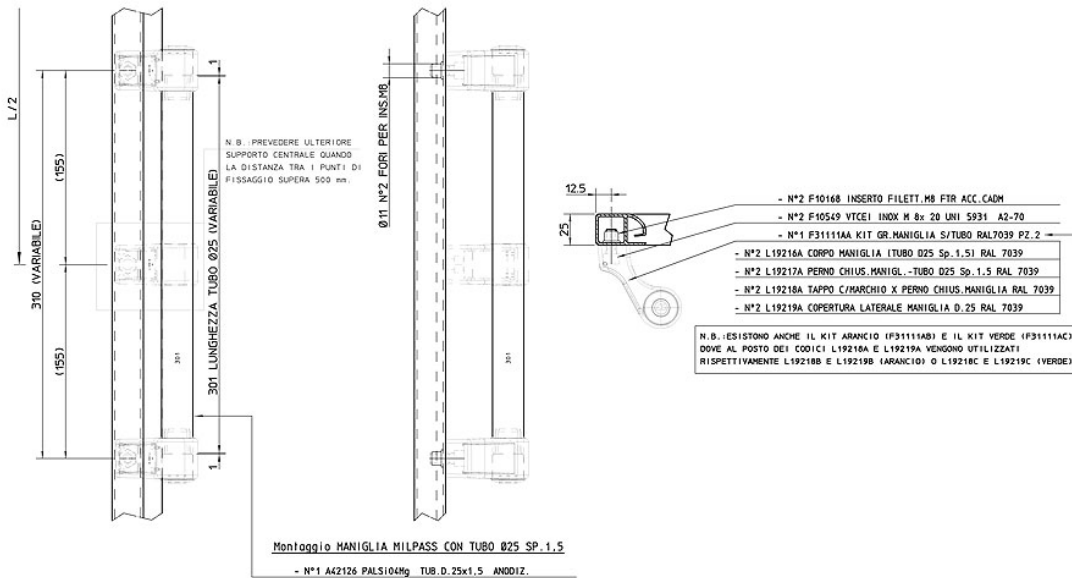
Cod. A42126
B1020-003591 NEW
Aluminium Pipe
D25, 1,5mm silver
anodized



Cod. A42126A
Aluminium pipe
D25x1,5mm elox
anodized

Assembly example

Montaggio SU SPORTELLI



Bar handle, diameter 25 mm, Orange

B1050-001345 **NEW**

F31111AB

Bar handle with D25 tube
Colour: orange

Note: aluminum tube length is made to order. For lengths above 600mm, it is recommended to use a third stiffening element. The aluminium pipe is not inside the code.



Parts



Cod. L19217A
B1050-001973 **NEW**
Bar handle closing pin
D25



Cod. L19218B
B1050-001974 **NEW**
Cap with brand for bar
handle D25



Cod. L19219B
B1050-001976 **NEW**
Bar handle side cover
D25, Orange



Cod. L19220A
B1050-001978 **NEW**
Bar handle spacer D25



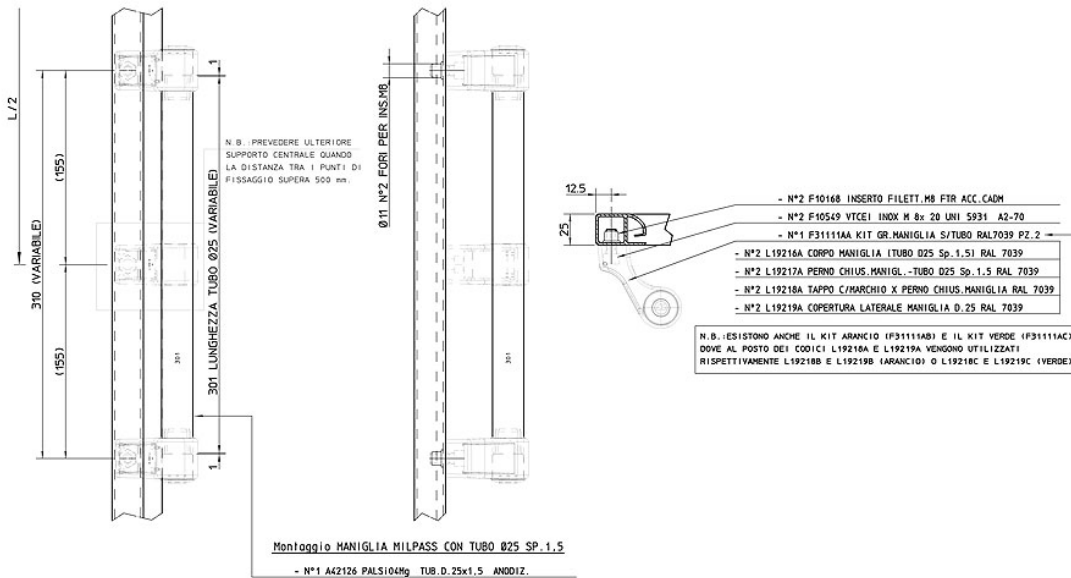
Cod. A42126
B1020-003591 **NEW**
Aluminium Pipe
D25, 1,5mm silver
anodized



Cod. A42126A
Aluminium pipe
D25x1,5mm elox
anodized

Assembly example

Montaggio SU SPORTELLI



Bar handle diameter 25 mm, Green

B1050-002388 NEW

F31111AC



Bar handle with D25 tube
Colour: green

Note: aluminum tube length is made to order. For lengths above 600mm, it is recommended to use a third stiffening element. The aluminium pipe is not inside the code.

Parts



Cod. L19217A
B1050-001973 NEW
Bar handle closing pin
D25



Cod. L19218C
B1050-001975 NEW
Cap with brand for bar
handle D25, Green



Cod. L19219C
B1050-001977 NEW
Bar handle side cover
D25, Green



Cod. L19220A
B1050-001978 NEW
Bar handle spacer D25



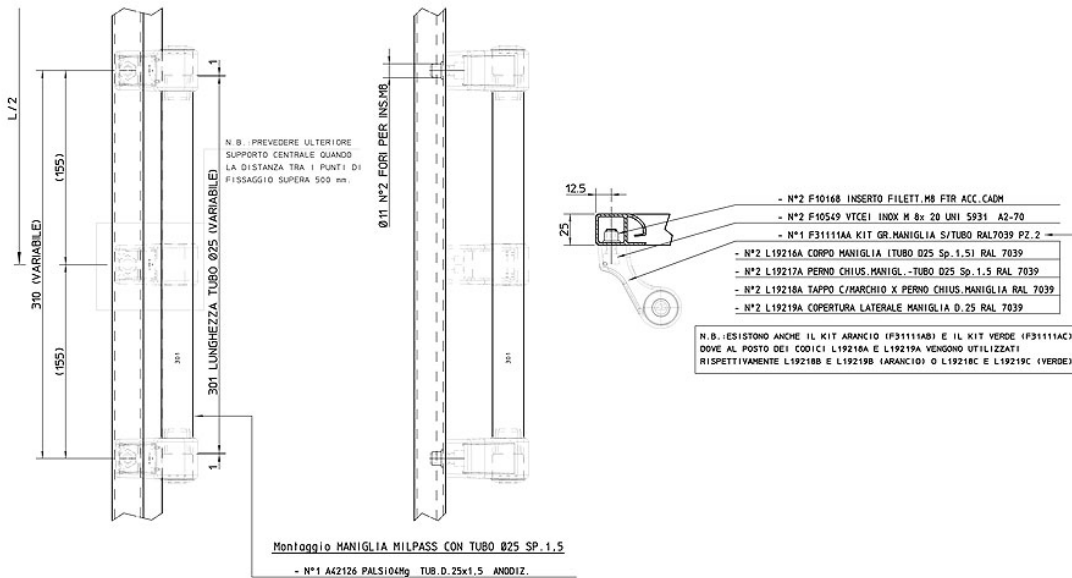
Cod. A42126
B1020-003591 NEW
Aluminium Pipe
D25, 1,5mm silver
anodized



Cod. A42126A
Aluminium pipe
D25x1,5mm elox
anodized

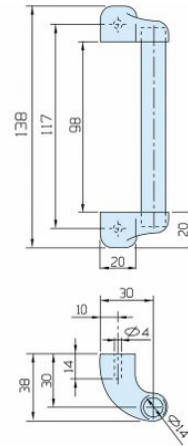
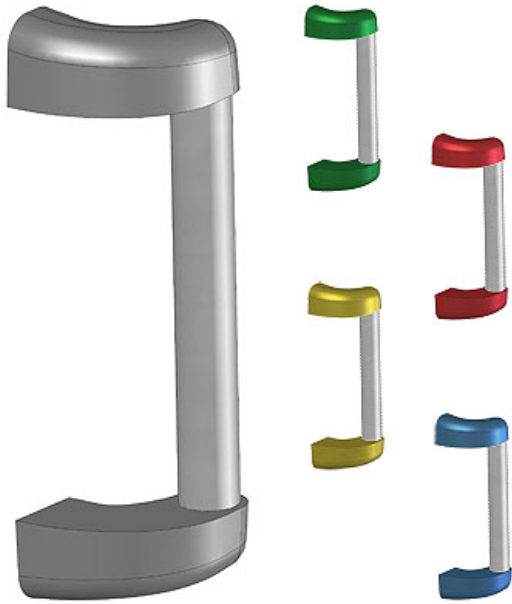
Assembly example

Montaggio SU SPORTELLI



Aurora handle

B1050-001821 NEW L15214



Modular Aurora handle
Material: polyamide
Colour: RAL 7039
Weight: 0.018 kg
Delivery condition: low availability for limited use

Colors	Code
Grey	L15214
Green	L15209
Red	L15210
Yellow	L15211
Blue	15213

Parts



Cod. F10294
 B1080-001099 **NEW**
 Stainless steel
 flathead screw
 4.8x38.1



Cod. F10387
 B1080-001118 **NEW**
 Stainless steel
 cheese-headed screw
 4.8x22.2



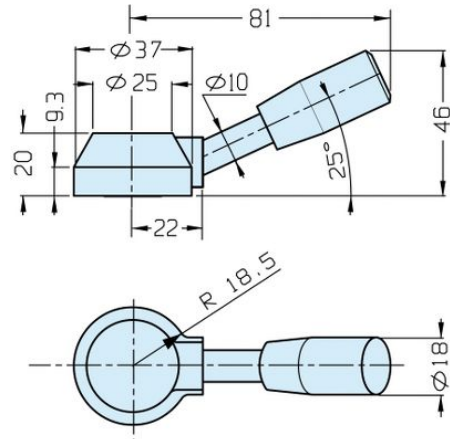
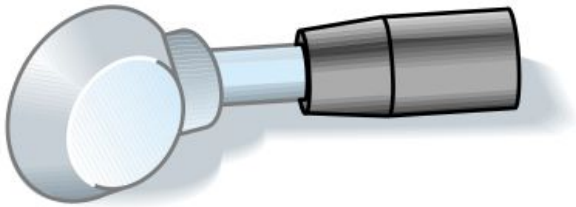
Cod. F12749
 B1080-001296 **NEW**
 D5/13 neutral screw
 under-support



Cod. N25009A
 44105N25009A **NEW**
 Tube D14 L=114, elox
 anodised













Special lever handle

B1050-001375 NEW F31305

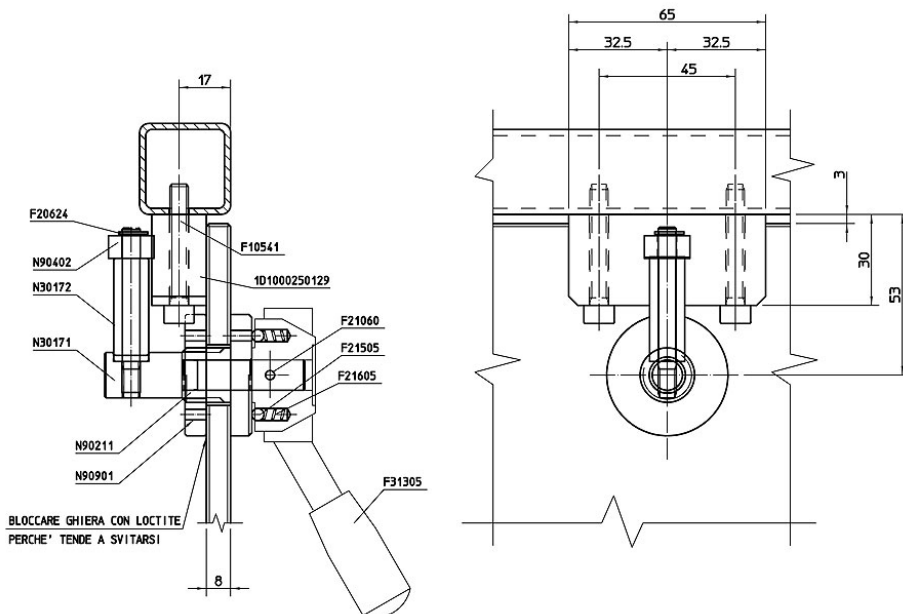


Lever handwheel
Weight: 0.210 kg

Parts

- | | | | | |
|---|--|--|--|---|
|  Cod. F12654
Galvanised washer
D6.4x12.5 |  Cod. F20624
B1080-001319 NEW
Stainless steel snap
ring D6 |  Cod. F21060
Stainless steel
spring cotter D3x30 |  Cod. F21505
Steel ball D4.762
(3/16") |  Cod. F21605
Spring OutD 4.9 -
Wire D 0.8 - Length
18.5 |
|  Cod. N30171
B1080-001521 NEW
Stainless steel pin for
Elesa hand grip
D15x65 |  Cod. N30172
B1080-001522 NEW
Stainless steel hex. pin
10x56 |  Cod. N40120
B1050-002105 NEW
Nylon door slam
support 40x20x15 |  Cod. N90211
B1080-001534 NEW
Nylon threaded
bushing, D40x23
M18x1.5 |  Cod. N90402
B1010-144817 NEW
D6.2/D15 H7.5 nylon
space |
|  Cod. N90901
B1080-001539 NEW
Nylon ring nut D40 H7 |  Cod. F20626
B1080-001320 NEW
Stainless steel snap
ring D10 | | | |

Assembly example



LOCKS

Here are assembly examples with components of this category.

Different materials are used for the locks:

- Polyamide cylinder
- Stainless steel cylinder

The locks are supplied separately from the locking key, which is identified as a separate item and is also in the catalogue.

The technical characteristics, sizes and especially weights of products are indicative as they may vary and be subject to functional changes based on enhancements and production issues, which are the sole responsibility of Lpm Group.

Polyamide locks

B1050-000148 NEW

F30150

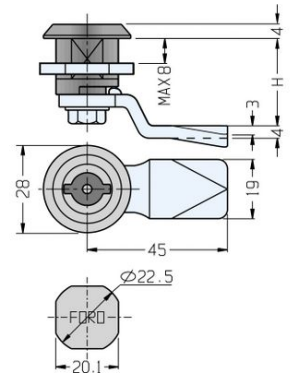
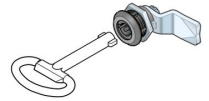
Key
Colour: black



B1050-001320 NEW

F30130

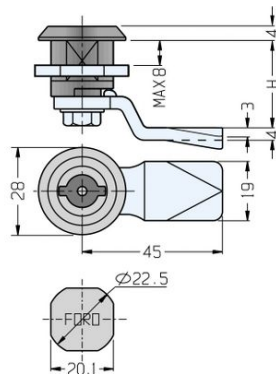
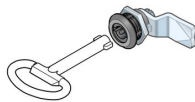
Lock with polyamide cylinder, H=30mm
Colour: black closing



B1050-000147 NEW

F30128

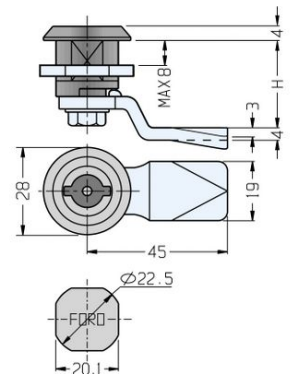
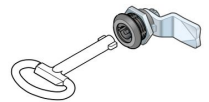
Lock with polyamide cylinder,
H=28mm
Colour: black closing



B1050-001317 NEW

F30125

Lock with polyamide cylinder
Colour: black closing
User for material thickness 25 mm

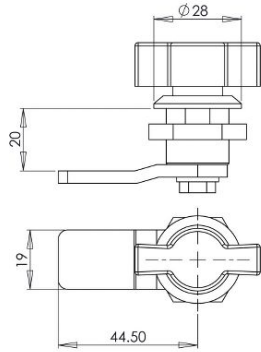
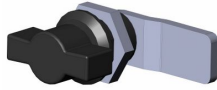


Polyamide locks

B1050-001316 **NEW**

F30120

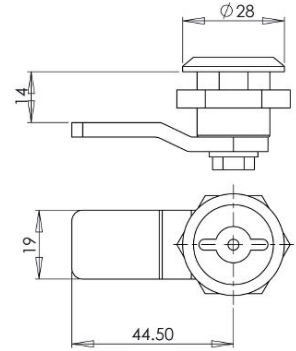
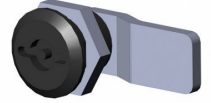
Lock with polyamide cylinder
 Colour: black closing
 User for material thickness 20 mm



B1050-001315 **NEW**

F30114

Lock with polyamide cylinder
 Colour: black closing
 User for material thickness 14 mm

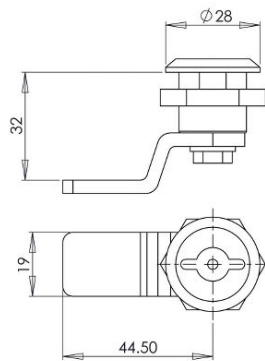
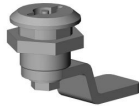


Stainless steel locks

B1050-001314 **NEW**

F30032

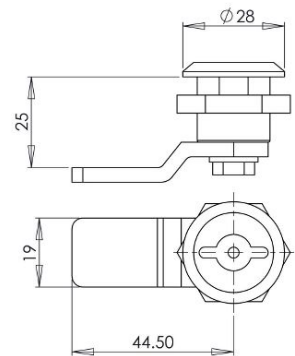
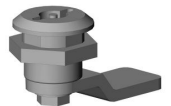
Nylon lock with stainless steel cam,
 H=32mm



B1050-001313 **NEW**

F30025

Nylon lock with stainless steel cam,
 H=25mm

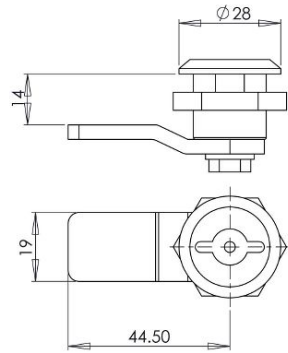
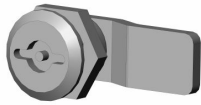


Stainless steel locks

B1050-001312 **NEW**

F30014

Nylon lock with stainless steel cam,
H=14mm



HINGES

The "Hinges" section includes all the components currently manufactured by **Lpm Group** and available in stock.

If made of Polyamide, the components of this section are painted RAL 7039.

The Polyamide Polymer "6" is reinforced with fiberglass and contains a percentage of elastomer which improves its resistance to deformation, without making it elastic, and avoiding the resulting brittle fracture.

The hinge pins are all made of AISI 304 stainless steel.

The Polyamide Polymer "6" is reinforced with fiberglass and contains a percentage of elastomer which improves its resistance to deformation, without making it elastic, and avoiding the resulting brittle fracture.

If the components are made using AISI 304 lost wax casting method, they have a "chemical butter finish".

The technical characteristics, sizes and especially weights of products are indicative as they may vary and be subject to functional changes based on enhancements and production issues, which are the sole responsibility of Lpm Group.

Product technical characteristics

Product material:

- Stainless steel: X5 CrNi 18 10 (Aisi 304)
- Partially crystalline thermoplastic material (Polyamide hinges)

Standard finish:

- Chemical butter finish for stainless steel components
- RAL 7039 for polyamide components

Mechanical characteristics (for Polyamide products):

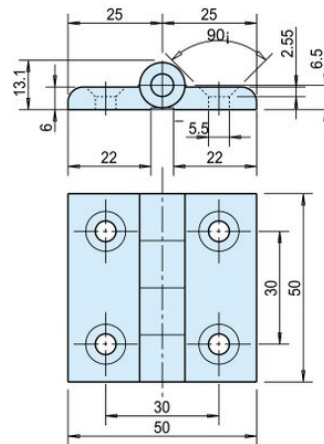
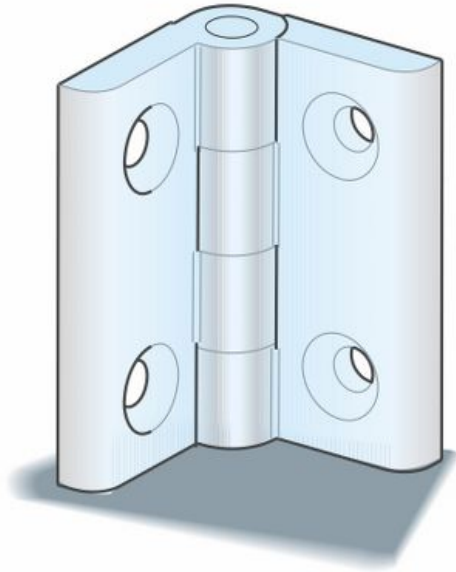
- High fatigue strength
- Resistance to wear
- Highly shock-resistant
- Self-lubricating bushings on the pin

Supply conditions: In a package only where indicated on the specific component

Stainless steel folding door hinge

B1050-001470 NEW

F70123



Complete stainless steel AISI 304 folding door hinge

Weight: 0.130 kg

Finish: chemical butter finish

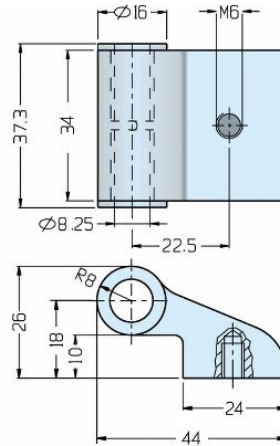
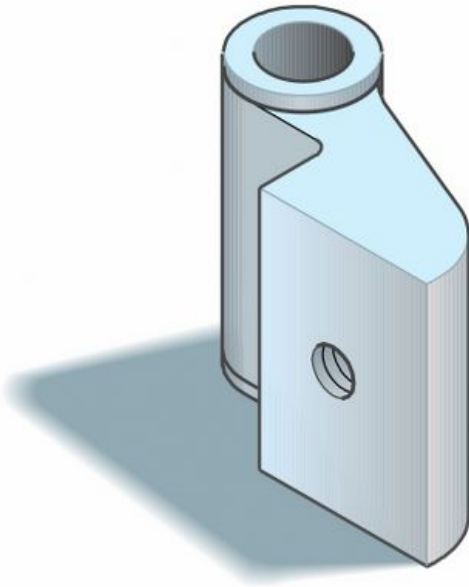
Parts



Cod. **F10423**
B1080-000646 **NEW**
Stainless steel
countersunk socket
screw M5x16

Door hinge

B1050-002130 **NEW** **N50123**



Stainless steel AISI 304 angle hinge with L16103 bushings without pin hole
Weight: 0.125 kg
Finish: chemical butter finish

Parts



Cod. L11107
 Hinge U-shaped support in Aisi 304



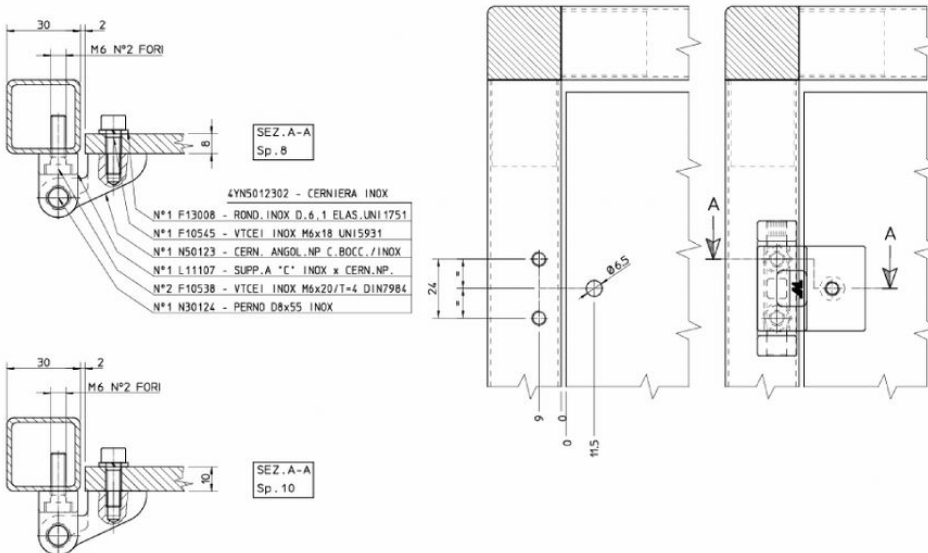
Cod. N30124
 B1080-000106 **NEW**
 Pin Aisi 304 for hinge
 Dia. 8x55



Cod. F10538
 B1080-000445 **NEW**
 Stainless steel socket head cap screw M6x20 T=4

Assembly example

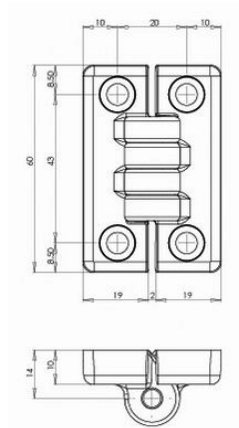
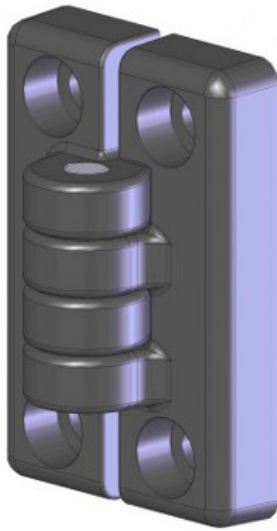
Montaggio CERNIERA SU TELAIO IN ACCIAIO E SPORTELLO IN MATERIALE PLASTICO Sp.8 E 10



■ Polyamide door hinge 60x40x22mm

B1050-000873 NEW

F31173A



Polyamide hinge assembled

Color: RAL 7039

Weight: 0,038 Kg

Deliverycondition: box with 10 pieces

Parts



Cod. **L19180A**
B1050-001971 **NEW**
Polyamide RAL7039
semi-hinge, 60x19x10



Cod. **L19180A**
B1050-001971 **NEW**
Polyamide RAL7039
semi-hinge, 60x19x10



Cod. **L19181A**
B1010-144730 **NEW**
Semi-hinge spacer for
L19180A thickness
4mm



Cod. **N30158**
B1080-001517 **NEW**
Stainless steel pin
D6x30

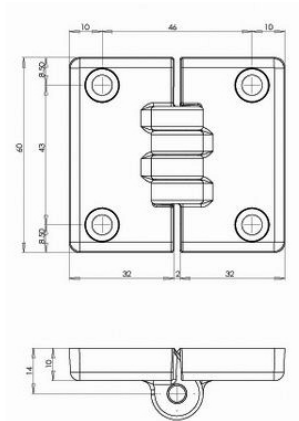
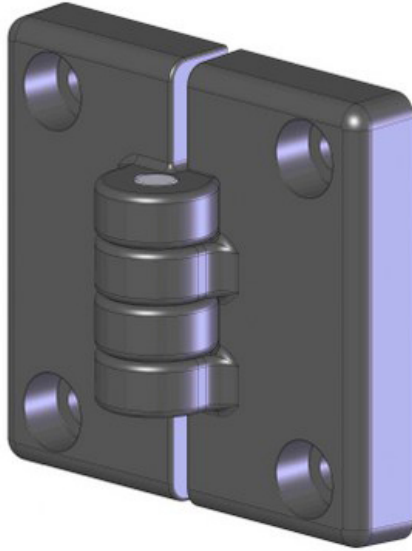


Cod. **F10534**
B1080-000443 **NEW**
Stainless steel socket
head cap screw M6x16

■ Polyamide hinge 60x66x22mm

B1050-001364 NEW

F31175A



Polyamide hinge assembled

Finish: colour RAL 7039

Weight: 0,057 Kg

Delivery condition: box with 10 pieces

Note: competens to use aluminium profile Q.45mm, Q90mm and 45x90mm (structural line) with glass/plastic material doors or same section aluminium profile door.

Parts



Cod. **L19182A**
B1050-001972 **NEW**
Polyamide RAL7039
semi-hinge, 60x32x10



Cod. **L19182A**
B1050-001972 **NEW**
Polyamide RAL7039
semi-hinge, 60x32x10



Cod. **L19183A**
B1010-144731 **NEW**
Semi-hinge spacer for
L19182A thickness
4mm



Cod. **N30158**
B1080-001517 **NEW**
Stainless steel pin
D6x30



Cod. **F10534**
B1080-000443 **NEW**
Stainless steel socket
head cap screw M6x16



Cod. **F10545**
B1080-001177 **NEW**
Stainless steel socket
head cap screw M6x18



Cod. **N90209**
B1080-000118 **NEW**
M6 threaded bushing
in Aisi 304



Cod. **F12707**
B1080-001294 **NEW**
Black Polyethylene
washer dia. 20 / Dia.
10 mm

GAS SPRINGS

The hydropneumatic gas springs consist of a cylinder containing compressed nitrogen gas, isolated by means of a special sealing device, and a connecting rod.

The extension speed depends on the cross-section of the cylinder (or piston); some models include a mechanical opening block system.

In addition to nitrogen, the internal chamber of the springs is filled with a quantity of oil that guarantees not only excellent lubrication of the system but also end of stroke damping.

The springs need no maintenance and are tested for at least 50,000 strokes.

Installation:

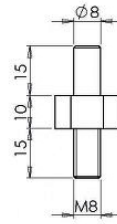
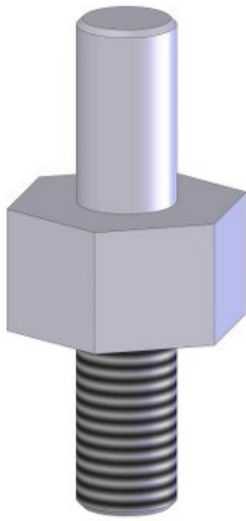
- use the special fittings
- avoid lateral stress
- it is advisable to fit with the rod facing downwards

The technical characteristics, sizes and especially weights of products are indicative as they may vary and be subject to functional changes based on enhancements and production issues, which are the sole responsibility of Lpm Group.

Stainless steel spring gas pin

B1080-001506 NEW

N30141



Stainless steel pin, tool CH17

Finish: butter-finished

Weight: 0.020 Kg

Parts



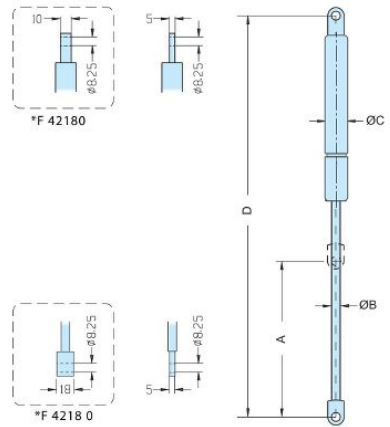
Cod. **N90810**
B1080-001537 **NEW**
Locking ring for 8mm
pin



Cod. **F11035**
B1080-001218 **NEW**
Stainless steel CE
grub screw

Gas spring

B1050-001405 NEW F42180

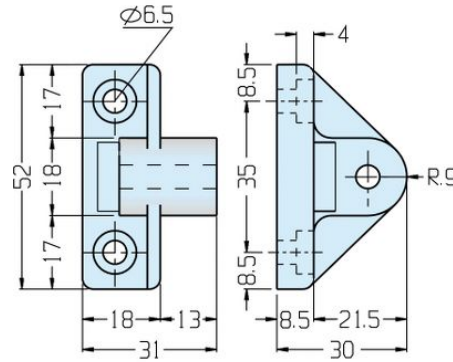
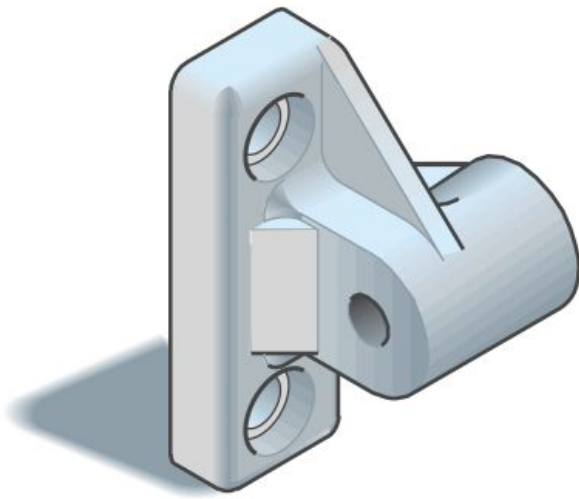


Code	A	ØB	ØC	D	Weight	Flow N
F 42110	85	8	19	254,5	0,165	100N
F 42112	200	8	19	485	0,240	100N
F 42120	200	8	19	485	0,240	200N
F 42125	85	8	19	254,5	0,165	200N
F 42225	133	8	19	354	0,180	250N
F 42132	200	8	19	485	0,240	300N
F 42135	85	8	19	254,5	0,165	300N
F 42142	200	8	19	485	0,240	400N
F 42162	200	8	19	485	0,240	600N
*F 42180	245	10	22	600	0,515	800N

Gas spring support

B1050-001957 NEW

L19142



Polyamide gas spring support
Finish: colour RAL 7039
Weight: 0.020 Kg

Parts



Cod. **F10538**
B1080-00445 NEW
 Stainless steel socket head cap screw M6x20 T=4



Cod. **F10166**
B1080-001067 NEW
 M6 threaded insert



Cod. **N30131**
B1080-001504 NEW
 Stainless steel gas spring pin D8/D6



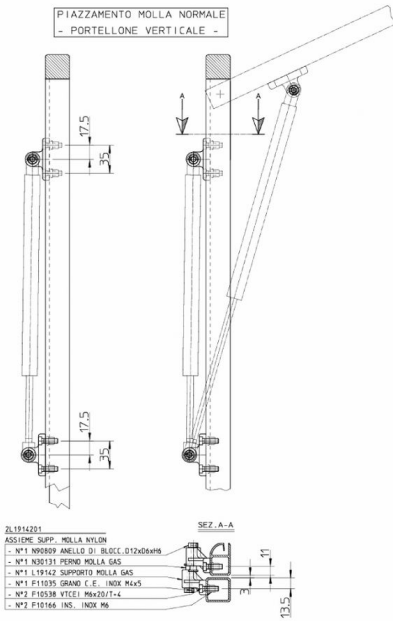
Cod. **N90809**
B1080-001536 NEW
 Locking ring for 6mm pin



Cod. **F11035**
B1080-001218 NEW
 Stainless steel CE grub screw

Assembly example

PIAZZAMENTO MOLLA NORMALE
 - PORTELLONE VERTICALE -



- ZL1914201
 ASSIEME SUPP. MOLLA NYLON
 - N°1 N90809 ANELLO DI BLOCCO Ø12x6x6mm
 - N°1 N30131 PERNO MOLLA GAS
 - N°1 L19142 SUPPORTO MOLLA GAS
 - N°1 F10538 GRANO C.F. INOX M6x20
 - N°2 F10538 VITE DI MANTENIMENTO
 - N°2 F10166 INS. INOX M6

HINGE-OPERATED SAFETY SWITCHES

The key microswitch models presented are supplied by the manufacturer in accordance with the main regulations in force and represent the best solution for guard locking as they prevent tampering and therefore improper use, if properly designed.

The forced opening contacts comply with safety regulations IEC 337, IEC 947-5-1, VDE0660 part 206, NFC63-143.

The technical characteristics, sizes and especially weights of products are indicative as they may vary and be subject to functional changes based on enhancements and production issues, which are the sole responsibility of Lpm Group.

Product specifications and dimensions are indicative and they are the responsibility of supplier Pizzato, who reserves the right to make functional changes based on enhancements and component use in accordance with the laws in force.

In any case, you can consult Pizzato catalogue at: www.pizzato.it

PIZZATO models - Product technical characteristics

Operating temperature: from -25 °C to + 80°C

Operation heads and casing material: technopolymer with fiberglass, self extinguishing and shockproof

Operation positions: all positions

Protection class: IP 65

Mechanical life - operation instances: 20 million (6000/hour)

Rated thermal current: 10 A

Contact operation: 2NC+1NO

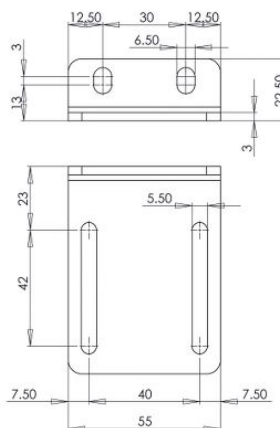
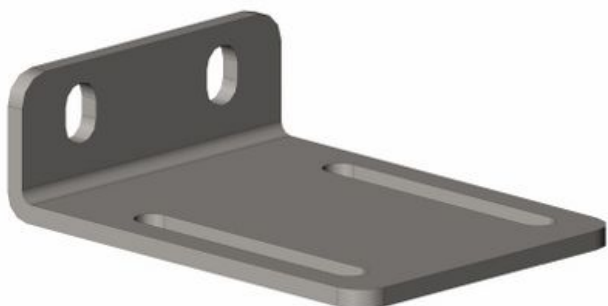
Power (alternate current AC 15): 250 V, 6A - 400 V, 3A - 500V, 1A

Power (direct current DC 13): 24V, 6A - 125V 1.1A - 250V, 0.4A

Universal bayonet microswitch support

B1010-144736 NEW

N20703



Material: stainless steel Aisi 304

Weight: 0,104 Kg

Finish: blasted

Parts



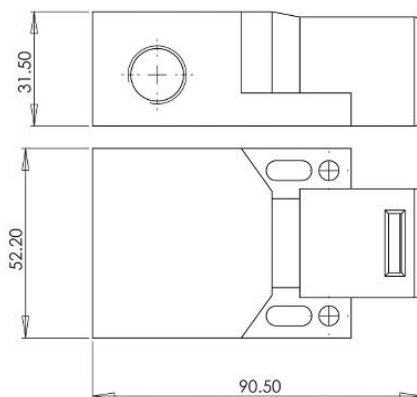
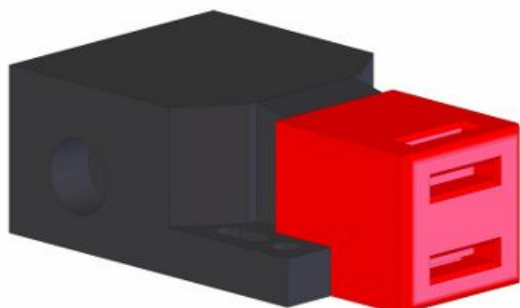
Cod. **F10166**
B1080-001067 **NEW**
M6 threaded insert



Cod. **F10538**
B1080-000445 **NEW**
Stainless steel socket
head cap screw M6x20
T=4

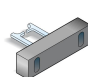


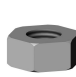

Pizzato bayonet microswitch

B1050-001631 NEW G20442



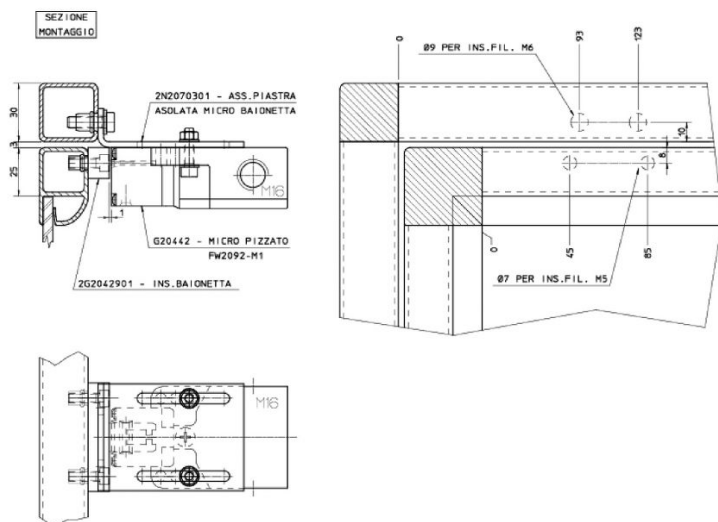
Pizzato FW2092-M1
Contacts: 2 NC + 1 NO
Weight: 0.098 Kg
Delivery condition: in stock

Parts

- | | | | | | | | | | |
|--|--|--|--|--|--|---|--|--|---|
|  | Cod. G20429
B1050-001625 NEW
Articulated Pizzato bayonet VF KEY D7 |  | Cod. F10526
B1080-000427 NEW
Stainless steel socket head cap screw M5x16 |  | Cod. F10527
B1080-000428 NEW
Stainless steel socket head cap screw M5x20 |  | Cod. F11955
B1080-000813 NEW
Stainless steel hex. nut M5 |  | Cod. F12603
B1080-001277 NEW
Stainless steel washer D5.3x10 |
|--|--|--|--|--|--|---|--|--|---|

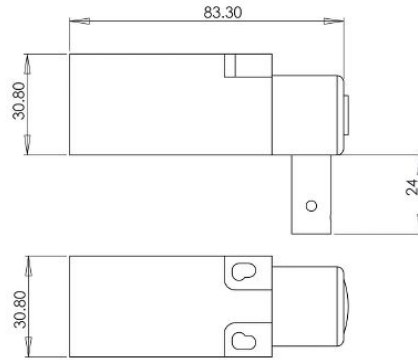
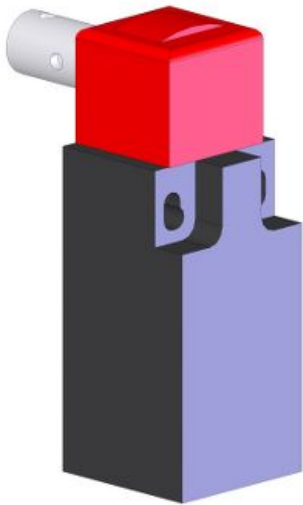
Assembly example

Montaggio MICRO PIZZATO FW2092-M1 (G20442) PROFILO S/G AL30/25




Microswitch with pin

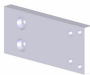
B1050-000276 NEW **G20438**




Pizzato microswitch (slow tripping) series FR2096-S1004
 Contacts 2NC + 1NO
 Weight: 0.085 kg
 Delivery condition: in stock

Parts

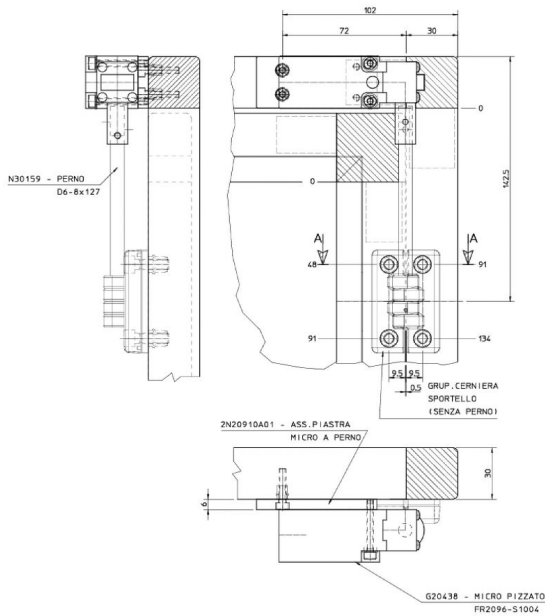
- 

Cod. **N30122**
 B1080-001500 **NEW**
 Stainless steel pin
 D8x78.5
- 

Cod. **N20910**
 Polyamide support
 for Pizzato
 microswitch with pin
- 

Cod. **N30159**
 B1080-001518 **NEW**
 Stainless steel pin, D
 6mm L 127 mm

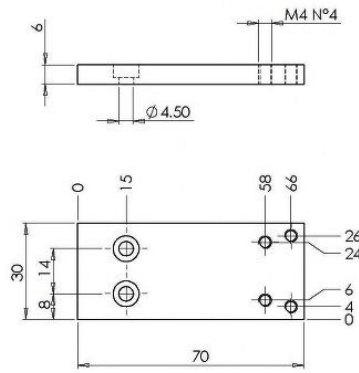
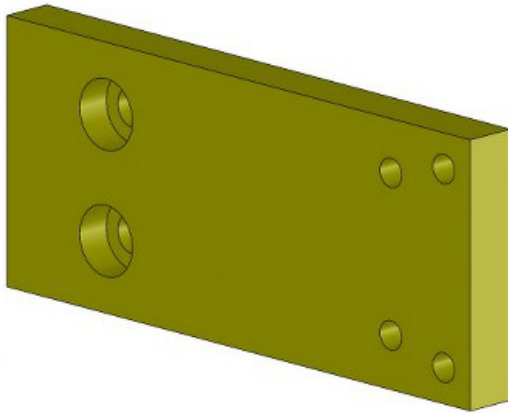
Assembly example



■ Pizzato with pin microswitch polyamide support

B1010-144789 **NEW**

N20910A



Material: Polyamide
Color: RAL 7039
Weight: 0,060 Kg

ACCESSORIES

Product specifications and dimensions are indicative as they may be subject to changes by the supplier.
Lpm Group disclaims any responsibility for any differences found on the product.

Special screws

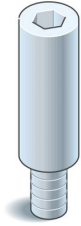
B1080-001257 **NEW**

F11306A

Special stainless steel screw M6x15
H=28

Weight: 0.0187 Kg

Delivery condition: in stock.



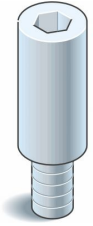
B1080-001255 **NEW**

F11305A

Special stainless steel screw M6x11
H=23

Weight: 0.015 Kg

Delivery condition: in stock.



Captive screws

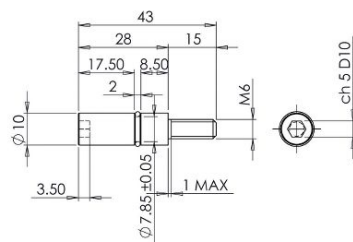
B1080-001256 **NEW**

F11306

Stainless steel captive screw M6x15
H=28

Weight: 0.0187 Kg

Delivery condition: in stock.



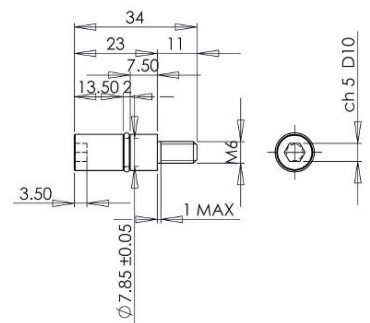
B1080-001254 **NEW**

F11305

Stainless steel captive screw M6x11
H=23

Weight: 0.015 Kg

Delivery condition: in stock.

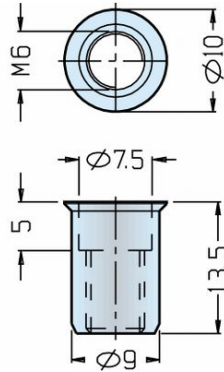


Threaded inserts

B1080-001076 **NEW**

F10186

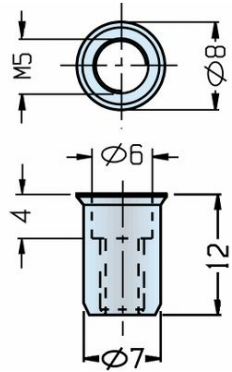
Stainless steel M6 threaded insert
 Weight: 0.003 Kg
 Status: available in warehouse



B1080-001074 **NEW**

F10185

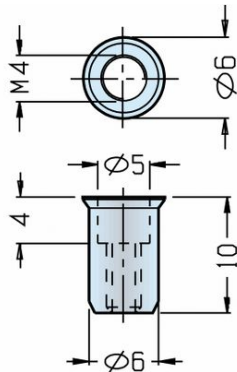
Stainless steel M5 threaded insert
 Weight: 0.002 Kg
 Status: available in warehouse



B1080-001072 **NEW**

F10184

Stainless steel M4 threaded insert
 Weight: 0.001 Kg
 Status: available in warehouse

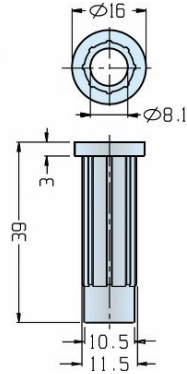
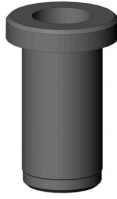


Sundry accessories

B1080-001401 **NEW**

L16112

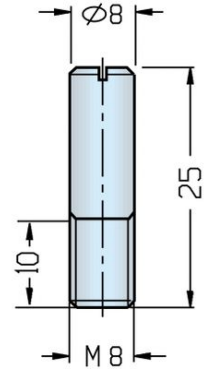
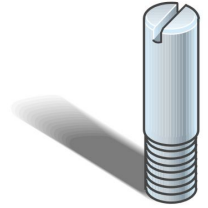
Polyamide (with fiberglass) bushing
 Length 20mm, upper head 3mm
 Color: Grey
 Delivery condition: in stock.



B1080-001502 **NEW**

N30125

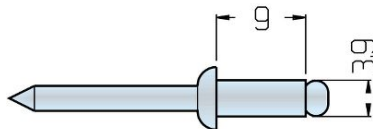
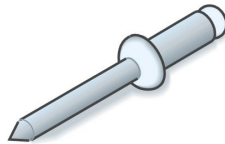
Stainless steel pin, 8mm dia. with thread
 Material: stainless steel AISI 304
 Delivery condition: in stock
 Note: For door opening with pins, it is screwed inside stainless steel couplings N15602 and N15603



B1080-001062 **NEW**

F10118

Stainless steel rivet 3,2x9mm



B1080-001219 **NEW**

F11055

Grub screw for ring nut
 Material: galvanised Fe
 Delivery condition: in stock

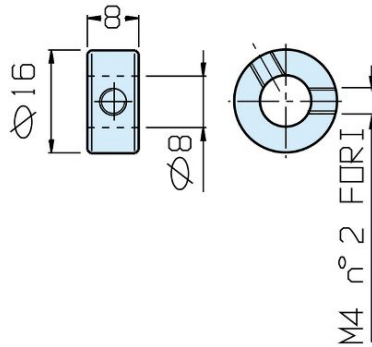
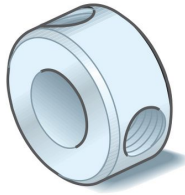


Sundry accessories

B1080-001537 **NEW**

N90810

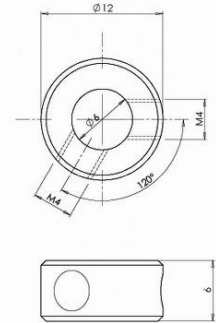
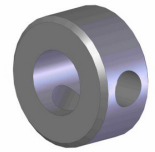
Ring nut for pin diameter 8mm
Material: stainless steel AISI304
Delivery condition: in stock



B1080-001536 **NEW**

N90809

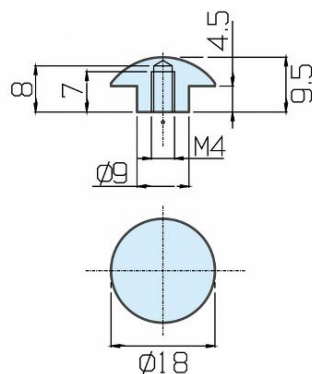
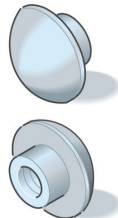
Ring nut for pin diameter 6mm
Material: stainless steel AISI304
Delivery condition: in stock



B1080-000116 **NEW**

N90207

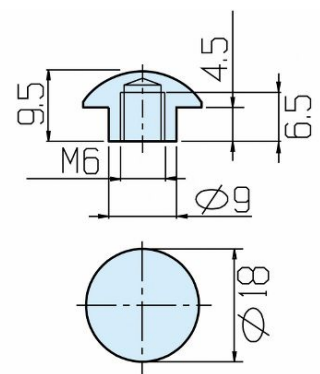
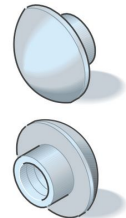
Threaded bushing M4 mm
Material: butter-finished stainless steel
Delivery condition: in stock



B1080-000118 **NEW**

N90209

Threaded bushing M6 mm
Material: butter-finished stainless steel
Delivery condition: in stock

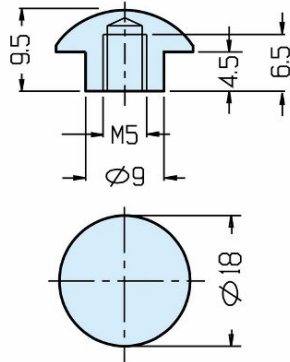
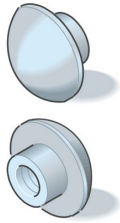


Sundry accessories

B1080-000117 **NEW**

N90208

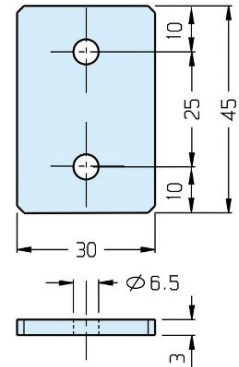
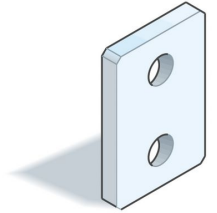
Threaded bushing M5mm
Material: butter-finished stainless steel
Delivery condition: in stock



B1010-144753 **NEW**

N20753

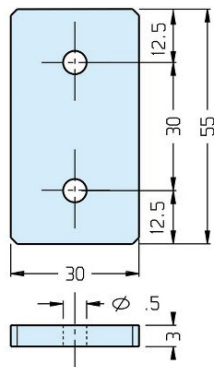
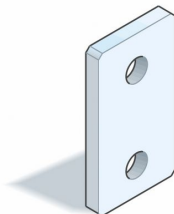
doubling plate for Q.25mm profile
Material: Stainless steel AISI304, 3 mm Thickness
Finishing: blasted
Weight: 0.030 Kg



B1010-144749 **NEW**

N20751

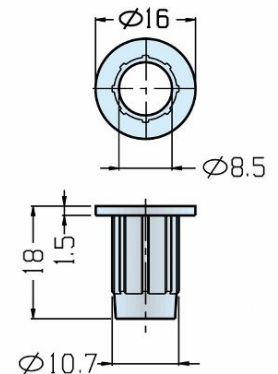
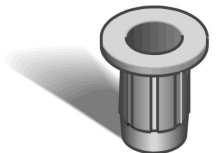
doubling plate for Q.30mm profile
Material: Stainless steel AISI304, 3 mm Thickness
Finishing: blasted
Weight: 0.036 Kg



B1080-001395 **NEW**

L16103

Polyamide (with fiberglass)
hinge bushing
Colour: Grey
Delivery condition: in stock
Note: to be used with codes N50114 and N50116

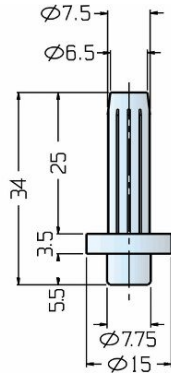
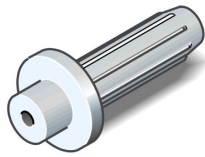


Sundry accessories

B1080-000038 NEW

L16102

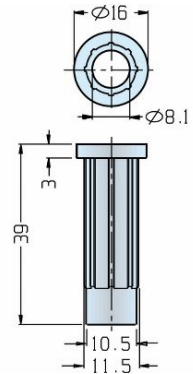
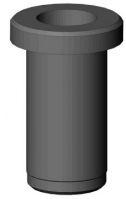
Polyamide (with fiberglass) pin
 Color: Grey
 Status: available in ware house



B1080-001401 NEW

L16112

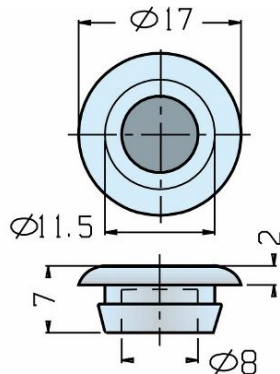
Polyamide (with fiberglass) bushing
 Length 36mm, upper head 3mm
 Colour: Grey
 Delivery condition: in stock.



B1050-001214 NEW

F21711

Round cap
 Colour: grey



ELECTRICAL MATERIAL ACCESSORIES

For the housing of electrical connection cables, a range of easy to use and fit accessories is available: cable ducts, quick-fit couplings and sheaths made of self-extinguishing material.

Product specifications and dimensions are indicative as they may be subject to changes by the supplier. Lpm Group disclaims any responsibility for any differences found on the product.

SHEATHS AND COUPLINGS: Product technical characteristics

Flexible sheath material: special polyamide "6"

Colour: RAL 7031 grey

Operating temperature: min -40 °C, max +105 °C

Inflammability: self-extinguishing V-0

Resistant to: most oils up to 100°C, solvents, fuels, acids, liquid substances, electroerosion, etc....

Smooth sheath material: self-extinguishing PVC

Colour: grey

Operating temperature: min -15 °C, max +70 °C

Inflammability: self-extinguishing V-0

Resistant to: acids in general, alcohol, carbonates, chlorides, liquid substances, nitrates, sulphates, sulphides.

CABLE DUCTS: Product technical characteristics

Material: Rigid PVC

Colour: RAL 7030 grey

Thermal characteristics: VICAT (softening point) 84°C

Inflammability: self-extinguishing V-0

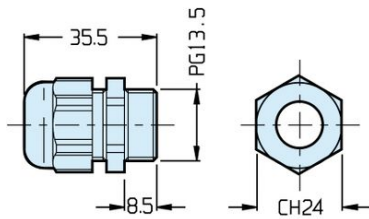
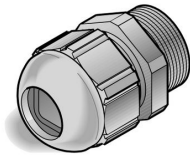
Resistant to: alcohol, acids and bases

Connection electric material

B1050-001541 NEW

G11171

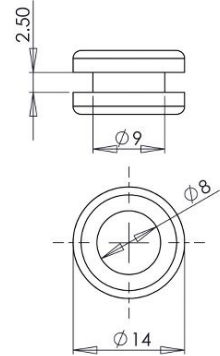
Cable grip PG 13.5
 Colour: grey
 Weight m /l: 0.01 Kg



B1050-001536 NEW

G11156

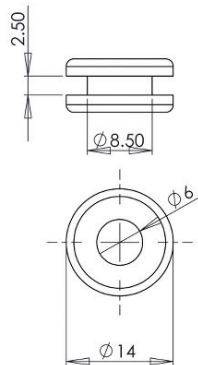
Grommet for D8mm
 Color: black



B1050-001535 NEW

G11155

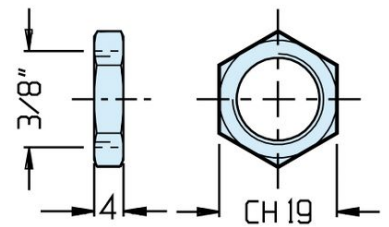
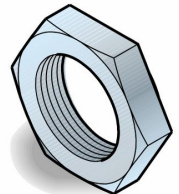
Grommet for D6mm
 Color: black



B1080-001391 NEW

G11140

Ring nut G.3/8
 Weight m /l: 0.004 Kg
 Material: nickel-plated brass

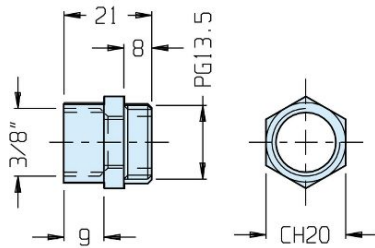
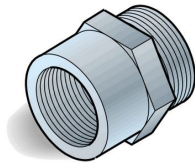


Connection electric material

B1050-001533 NEW

G11110

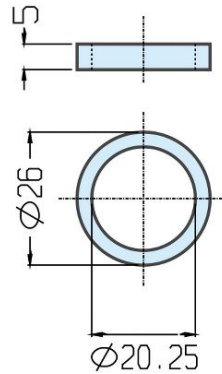
Adapter PG 13,5x3/8"
Color: Grey



B1080-001399 NEW

L16110

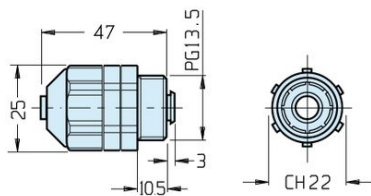
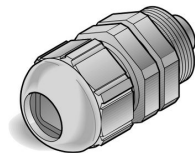
Washer
Colour: black
Weight m /l: 0.001 Kg



B1050-002386 NEW

G11180

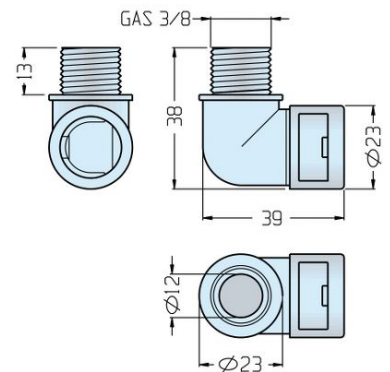
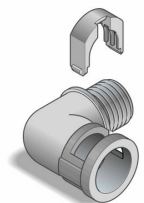
Straight revolving coupling PG 13.5
Colour: grey
Weight: 0.014 Kg



B1050-001540 NEW

G11165

90° coupling
Colour: grey
Weight: 0.010 Kg

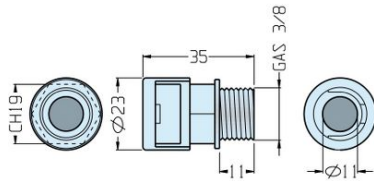
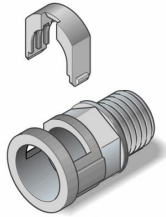


Connection electric material

B1050-001539 NEW

G11164

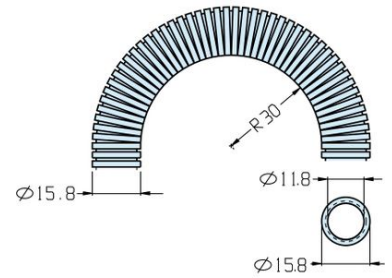
Straight coupling M16x1,5
 Colour: grey
 Weight: 0.006 Kg



B1050-001528 NEW

G10661

Flexible sheath
 Colour: grey
 Weight m /l: 0.250 Kg

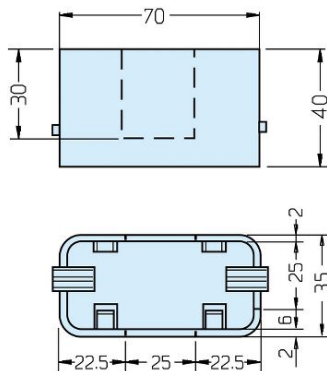
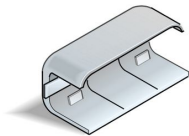


Electric channel series 25

B1050-002385 NEW

G16144

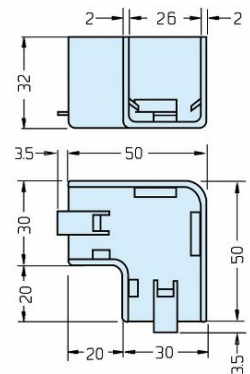
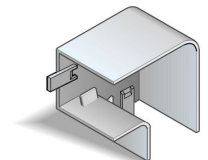
T-joint
 Colour: grey
 Weight m /l: 0.022 Kg



B1050-001599 NEW

G16143

Flat corner
 Colour: grey
 Weight m /l: 0.017 Kg

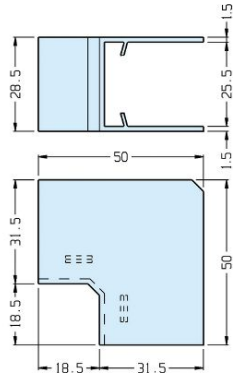
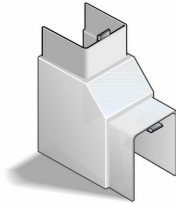


Electric channel series 25

B1080-001394 **NEW**

G16142

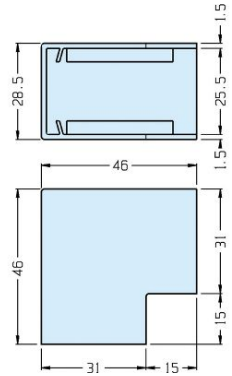
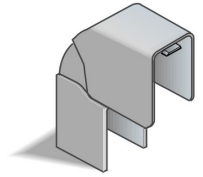
Inner corner
Colour: grey
Weight m /l: 0.034 Kg



B1050-001598 **NEW**

G16141

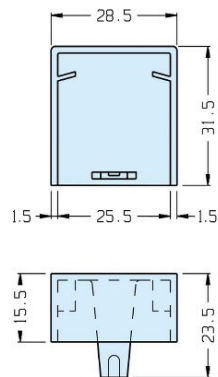
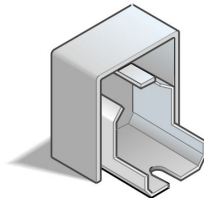
Outer corner
Colour: grey
Weight: 0.025 Kg



B1050-000409 **NEW**

G16140

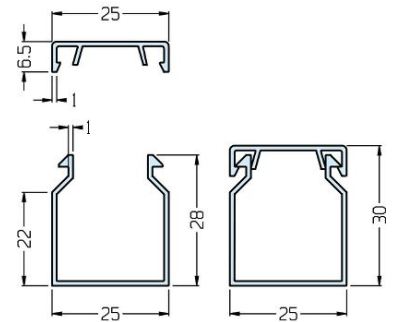
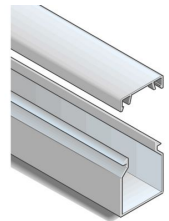
End piece
Colour: grey
Weight: 0.008 Kg



B1050-001565 **NEW**

G16105

Channel
Colour: grey
Weight m /l: 0.250 Kg



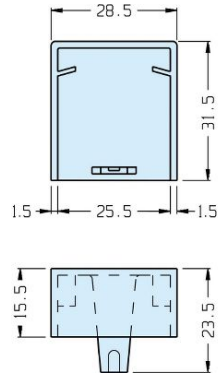
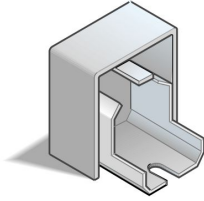
Electric channel series 40

B1050-001568 NEW

G16108

End piece for PVC channel series
40x40

Colour: grey

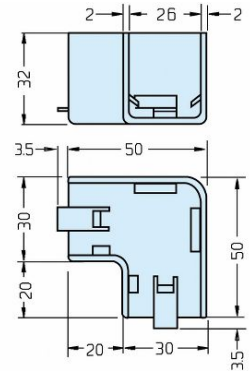
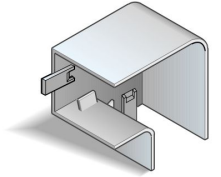


B1050-001567 NEW

G16107

Flat corner for PVC channel series
40x40

Colour: grey

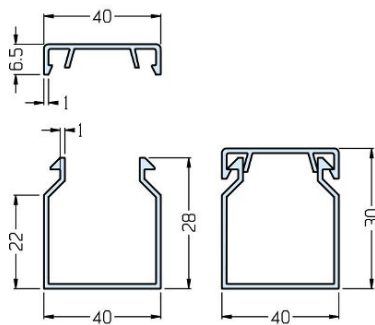
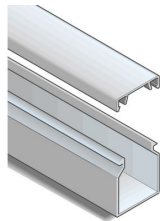


B1050-001566 NEW

G16106

PVC channel series 40x40

Colour: grey



Stainless steel channels

B1050-001576 **NEW**

G16116

Cablofil 30x50 in AISI 304L
Delivery condition: Available upon
request. Delivery to be agreed upon.



B1050-001575 **NEW**

G16115

Cablofil 30x150 in AISI 304L
Delivery condition: Available upon
request. Delivery to be agreed upon



SCREWS

Product specifications and dimensions are indicative as they may be subject to changes by the supplier.
Lpm Group disclaims any responsibility for any differences found on the product.

■ Screws

B1080-000445 **NEW**

F10538

Stainless steel special head M6x20
screw, H=4mm

Material: AISI 304

Delivery condition: in stock

Note: Many Milpass system
accessories feature this component
independent of the selected line.



INDICE ALFABETICO CODICI

Cod.	Pg.	Cod.	Pg.	Cod.	Pg.	Cod.	Pg.
1C0200250034	38	F50835	8	L15879A	26	N40131	59
1C0200250105	39	F70123	73	L15880A	25	N50123	74
5046105	49	G10661	96	L15881A	25	N90207	90
5046105T	32	G11110	95	L15882A	24	N90208	91
A21611	5	G11140	94	L15883A	25	N90209	90
A21612	5	G11155	94	L15884A	24	N90809	90
A21616	4	G11156	94	L15901	22	N90810	90
A21617	4	G11164	96	L15902	22	Vetro-Securit-10mm	13
A21618	6	G11165	95	L15911	21	Vetro-Securit-4-5	12
A21621	4	G11171	94	L15912	20	Vetro-Securit-6-7	12
A80561	4	G11180	95	L15913	20	Vetro-Securit-8mm	13
D21102	12	G16105	97	L15930	22		
D21103	11	G16106	98	L16102	92		
D41603	10	G16107	98	L16103	91		
D50103	10	G16108	98	L16110	95		
D60105	11	G16115	99	L16112	89		
F10118	89	G16116	99	L19133	51		
F10184	88	G16140	97	L19134	33		
F10185	88	G16141	97	L19142	80		
F10186	88	G16142	97	L19153	52		
F10538	101	G16143	96	L19155	53		
F11055	89	G16144	96	L19156	54		
F11305	87	G20438	84	L19162	34		
F11305A	87	G20442	83	L19163	56		
F11306	87	L15131	48	L19164	55		
F11306A	87	L15136	50	L19165	36		
F21711	92	L15137	44	L19166	43		
F21802	30	L15137B	46	L19168	35		
F21806	30	L15138	45	L19169	37		
F30014	71	L15138B	47	L19170	40		
F30025	70	L15214	66	L19171	41		
F30032	70	L15801	15	L19201	61		
F30114	70	L15802	16	L19202	62		
F30120	70	L15803	17	L21111	28		
F30125	69	L15807	18	L21112	28		
F30128	69	L15808	19	Lamiera-Forata-q10	12		
F30130	69	L15811	15	Lamiera-Inox	11		
F30150	69	L15812	17	N15602	21		
F30302	42	L15813	18	N15603	21		
F31111AA	63	L15817	18	N15605	20		
F31111AB	64	L15818	19	N15606	20		
F31111AC	65	L15845	16	N20703	82		
F31173A	75	L15852	15	N20751	91		
F31175A	76	L15861	19	N20753	91		
F31305	67	L15862	24	N20851	57		
F42180	79	L15863	24	N20852	58		
F50826A	5	L15876A	16	N20910A	85		
F50827A	5	L15877A	26	N30125	89		
F50831	8	L15878A	25	N30141	78		

SAFETY GUARDS //

lpm
lpm.group

