

SAFETY GUARDS //

General catalogue  
**ALUMINIUM LINE**



# ALUMINIUM

rev.022020

Profiles	3
Seals	18
Sheets	23
Glues	34
Couplings	36
Mouldings	51
Caps	59
Articulated feet	64
Supports	67
Handles	105
Locks	118
Hinges	122
Gas springs	139
Microswitches	144
Accessories	150
Electrical material	165
Screws	173

# PROFILES

The "Profiles" section includes all the components currently manufactured by **Lpm Group** and available in stock.

The material can be supplied with two different anodising treatments:

**Silver:** the product code can be found in the catalogue

**Elox:** this product code can be found in the catalogue

with the letter "A" added at the end. i.e. *A40710A*

Silver anodising represents **Lpm Group** "standard supply", while Elox anodising may be a good alternative for all the machinery having many stainless steel components.

The colour of this treatment is brownish and similar to niproly treatment aesthetic finish.

This makes it particularly attractive to those interested in seeking greater integration between the machinery and safety guards in particular as regards pharmaceutical and cosmetic industries.

Neutral colour is the strong point of silver anodising making it suitable for any application.

All profiles are available in stock at **Lpm Group**.

*The technical characteristics, sizes and especially WEIGHTS of products are indicative as they may vary and be subject to functional changes based on enhancements and production issues, which are the sole responsibility of Lpm Group.*

## **Product technical characteristics**

Aluminium alloy: P- $\text{AlMg}$  0.5 Si 0.4 Fe UNI 9006/1-88

Length of bars: 6.0 metres

Supply condition: Hardened and tempered (T5)

Profile thickness: 2 mm

Standard finish: Silver anodised

Unit tensile strength (R): 205 N/mm<sup>2</sup>

Hardness (HB): 60 kg/mm<sup>2</sup> depending on the cross section

Elongation (A): greater than or equal to 10%

## Frame profiles

**B1020-003591** **NEW**

**A42126**

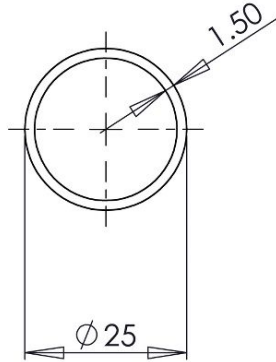
Aluminum profile, diameter 25mm,  
thickness 1.5mm

Weight: 0.300 kg /m

Delivery condition: in stock

Finish: silver anodised

Note; Profile for handle  
F31111AA,F31111AB,F31111AC



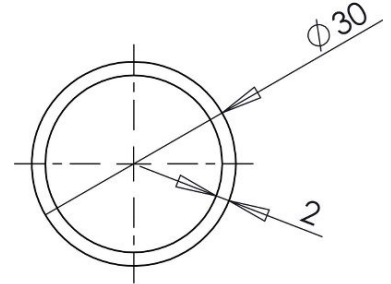
**B1020-004335** **NEW**

**A42130**

Round aluminum tube

Weight m /l: 0.470 Kg

Delivery condition: Available upon  
request. Delivery to be agreed upon.



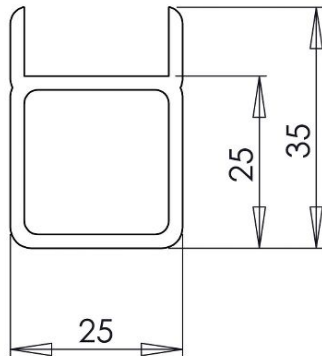
**B1020-004134** **NEW**

**A40713**

Aluminum profile MP24

Weight m /l: 0.606 Kg

Delivery condition: Available upon  
request. Delivery to be agreed upon.



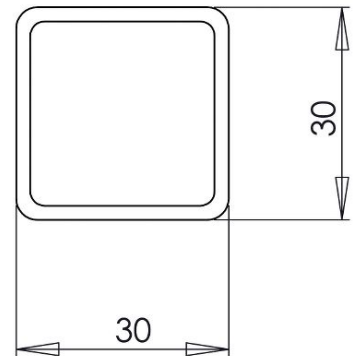
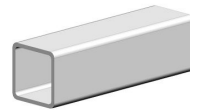
**B1020-003482** **NEW**

**A40710**

Aluminum profile MP20

Weight m /l: 0.589 Kg

Delivery condition: In stock



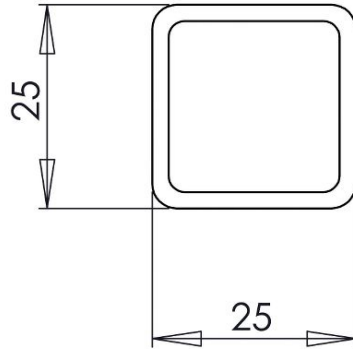


## Frame profiles

**B1020-003480** **NEW**

**A40709**

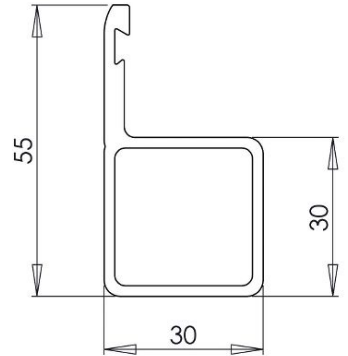
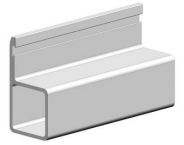
Aluminum profile MP19  
Weight m /l: 0.456 Kg  
Delivery condition: In stock



**B1020-003476** **NEW**

**A40707**

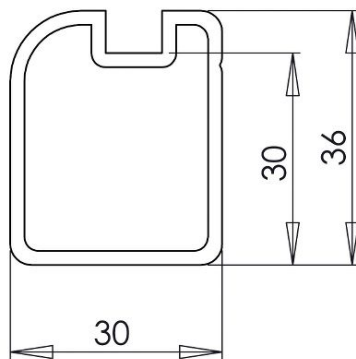
Aluminum profile MP17  
Weight m /l: 0.831 Kg  
Delivery condition: In stock  
Note: to be always combined with seal code F50150 or F50652



**B1020-003474** **NEW**

**A40703**

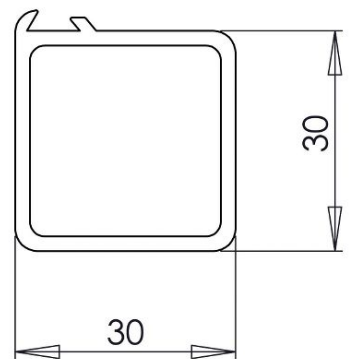
Aluminum profile MP14  
Weight m /l: 0.714 Kg  
Delivery condition: In stock



**B1020-004105** **NEW**

**A40702**

Aluminum profile MP13  
Weight m /l: 0.577 Kg  
Delivery condition: Available upon request. Delivery to be agreed upon.

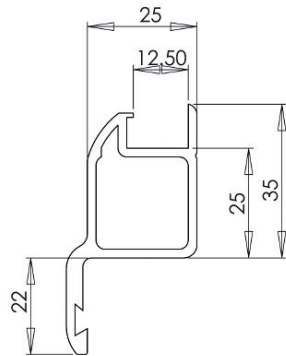
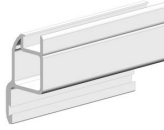


## Q25 profiles with seal

**B1020-003485** NEW

**A40721**

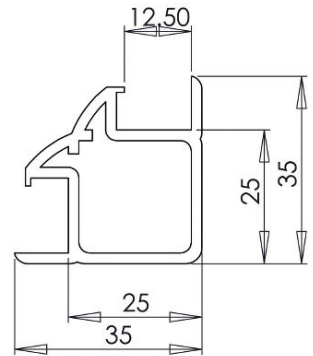
Aluminum profile MP33  
 Weight m /l: 0.793 Kg  
 Delivery condition: Available upon request. Delivery to be agreed upon.  
 Note: for 4 to 5 mm thick sheets, it can be replaced with profile without seal MP46 code A40821



**B1020-004137** NEW

**A40715**

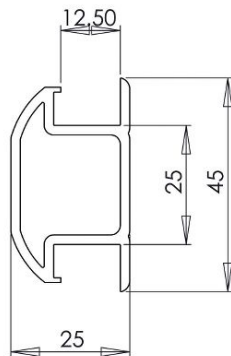
Aluminum profile MP26  
 Weight m /l: 0.679 Kg  
 Delivery condition: In stock  
 Note: for 4 to 5 mm thick sheets, it can be replaced with profile without seal MP43 code A40815



**B1020-003478** NEW

**A40708**

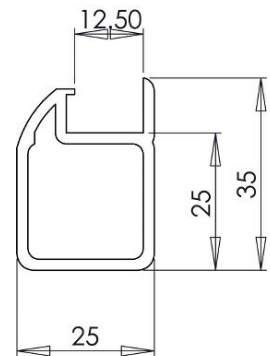
Aluminium profile MP18  
 Weight m /l: 0.785 Kg  
 Delivery condition: In stock  
 Note: for 4 to 5 mm thick sheets, it can be replaced with profile without seal MP42 code A40808



**B1020-003471** NEW

**A40701**

Aluminum profile MP12  
 Weight m /l: 0.618 Kg  
 Delivery condition: In stock  
 Note: for 4 to 5 mm thick sheets, it can be replaced with profile without seal MP40 code A40801



## Q30 profiles with seal

**B1020-004147** **NEW**

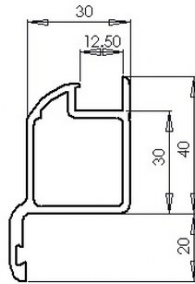
**A40720**

Aluminum profile MP32

Weight m /l: 0.890 Kg

Delivery condition: Available upon request. Delivery to be agreed upon.

Note: for 4 to 5 mm thick sheets, it can be replaced with profile without seal MP45 code A40820



**B1020-004141** **NEW**

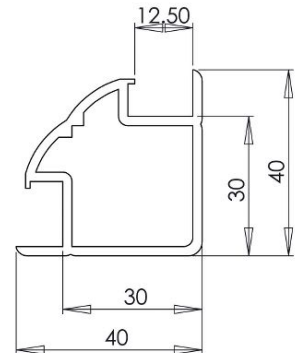
**A40716**

Aluminium profile MP27

Weight m /l: 0.784 Kg

Delivery condition: In stock

Note: for 4 to 5 mm thick sheets, it can be replaced with profile without seal MP44 code A40816



**B1020-003475** **NEW**

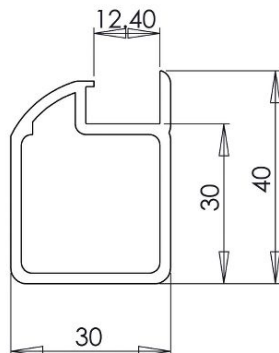
**A40706**

Aluminum profile MP16

Weight m /l: 0.723 Kg

Delivery condition: In stock

Note: for 4 to 5 mm thick sheets, it can be replaced with profile without seal MP41 code A40806



## Q25 profiles without seal

**B1020-004289 NEW**

**A40828**

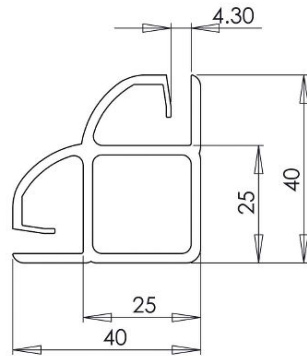
Aluminum profile MP88 for corner without seal

Sheet: th. 4 mm

Weight: 0.979 kg /m

Delivery condition: In stock

Note: for 4 mm thick material, only



**B1020-004286 NEW**

**A40827**

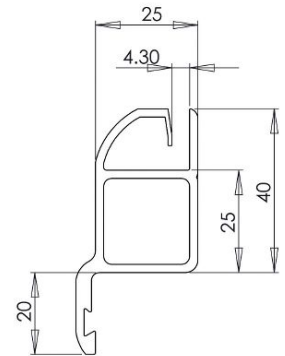
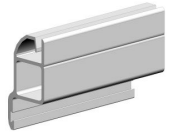
Aluminum profile MP87 for doors with leaf without seal

Sheet: th. 4 mm

Weight: 0.921 kg /m

Delivery condition: Available upon request. Delivery to be agreed upon.

Note: for 4 mm thick sheet, only



**B1020-004275 NEW**

**A40824**

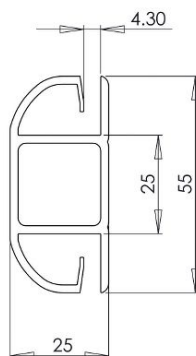
Aluminum profile MP83 for door separation without seal

Sheet: th.4mm

Weight: 0.958 Kg /m

Delivery condition: In stock

Note: for 4 mm thick material, only



**B1020-004272 NEW**

**A40823**

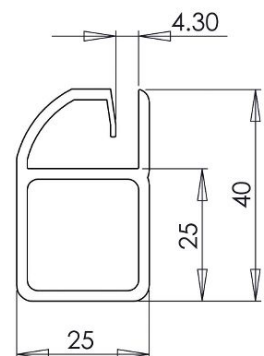
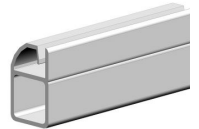
Aluminum profile MP82 for door without seal

Sheet th. 4mm

Weight 0.724 Kg /mt

Delivery condition: In stock

Note: for 4 mm thick material, only



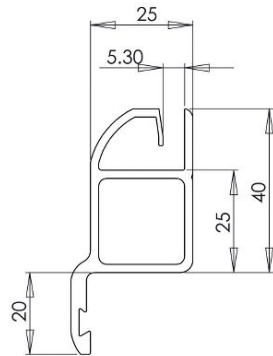
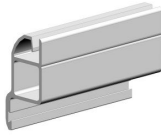


## Q25 profiles without seal

**B1020-003505** **NEW**

**A40821**

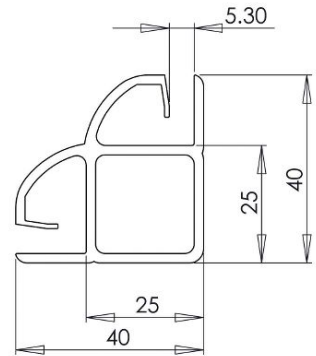
Aluminum profile MP46  
 Weight m /l: 0.891 Kg  
 Delivery condition: Available upon request. Delivery to be agreed upon.



**B1020-003501** **NEW**

**A40815**

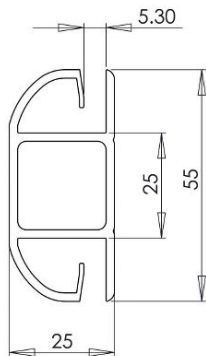
Aluminum profile MP43  
 Weight m /l: 0.943 Kg  
 Delivery condition: In stock



**B1020-003498** **NEW**

**A40808**

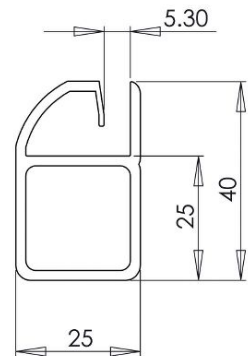
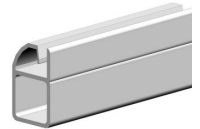
Aluminum profile MP42  
 Weight m /l: 0.966 Kg  
 Delivery condition: In stock



**B1020-003494** **NEW**

**A40801**

Aluminum profile MP40  
 Weight m /l: 0.724 Kg  
 Delivery condition: In stock



## Q30 profiles without seal

**B1020-004279** **NEW**

**A40825**

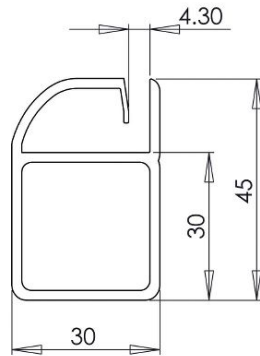
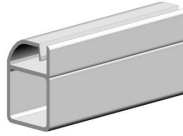
Aluminum profile MP85 for frame without seal

Sheet: th. 4mm

Weight: 0.854 Kg /m

Delivery condition: In stock

Note: for 4mm thick material, only



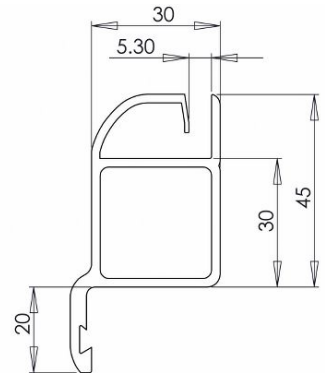
**B1020-004264** **NEW**

**A40820**

Aluminum profile MP45

Weight: 1.032 Kg /mt

Delivery condition: Available upon request. Delivery to be agreed upon.



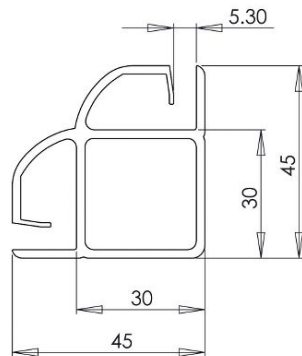
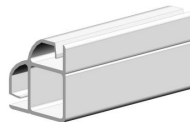
**B1020-003502** **NEW**

**A40816**

Aluminum profile MP44

Weight: 1.087 Kg /mt

Delivery condition: In stock



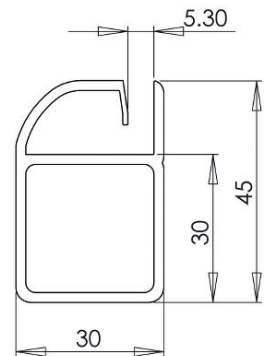
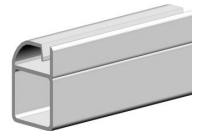
**B1020-003496** **NEW**

**A40806**

Aluminum profile MP41

Weight: 0.831 Kg /mt

Delivery condition: In stock



## Q30 profiles without seal

**B1020-004292** **NEW**

**A40829**

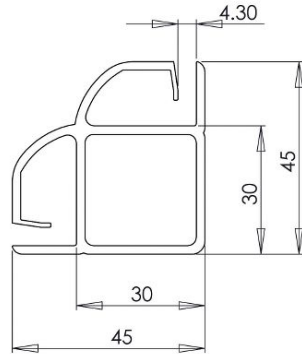
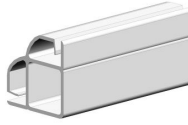
Aluminum profile MP89 for corner without seal

Sheet: th. 4 mm

Weight: 1.149 kg /m

Delivery condition: In stock

Note: for 4 mm thick material, only



## Profiles for sliding frame

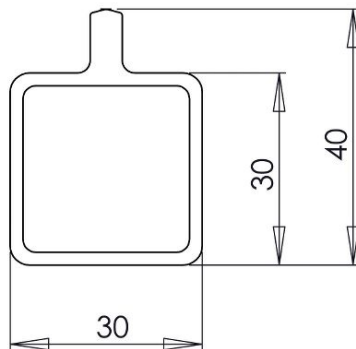
**B1020-003493** **NEW**

**A40767**

Aluminum profile MP76 for standard sliding door with one guide

Weight: 0.703 kg /m

Delivery condition: Available upon request. Delivery to be agreed upon.



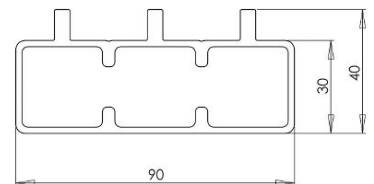
**B1020-004173** **NEW**

**A40731**

Aluminum profile MP61 for three-panel sliding door with symmetrical guide

Weight: 1.866 Kg /m

Delivery condition: In stock



## Profiles for sliding frame

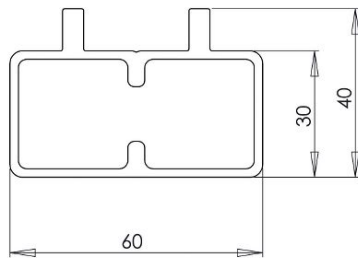
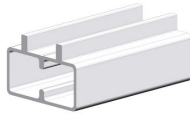
**B1020-003491** **NEW**

**A40730**

Aluminum profile MP60 for double sliding door with symmetrical guide

Weight: 1.331 Kg /m

Delivery condition: In stock



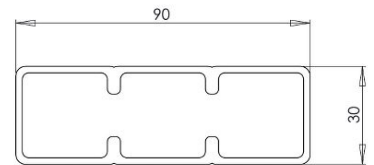
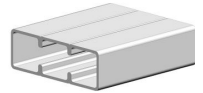
**B1020-003488** **NEW**

**A40724**

Aluminum profile MP36

Weight: 1.500 Kg /m

Delivery condition: In stock



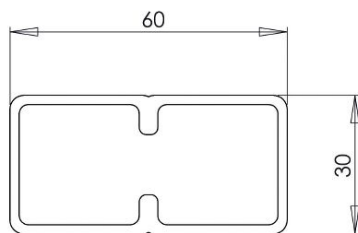
**B1020-003487** **NEW**

**A40723**

Aluminum profile MP35

Weight: 1.054 Kg /m

Delivery condition: In stock



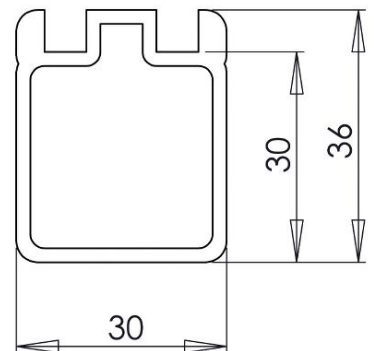
**B1020-004110** **NEW**

**A40704**

Aluminum profile MP15

Weight: 0.788 Kg /m

Delivery condition: In stock





## Profiles for sliding doors

**B1020-004283** **NEW**

**A40826**

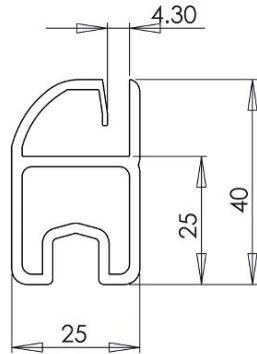
Aluminum profile MP86 for sliding door  
without seal

Sheet: th. 4 mm

Weight: 0.800 kg /m

Delivery condition: In stock

Note: for 4 mm thick material, only



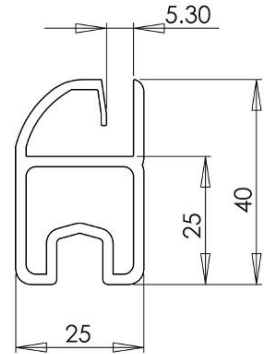
**B1020-003506** **NEW**

**A40822**

Aluminum profile MP59

Weight: 0.873 Kg /m

Delivery condition: In stock



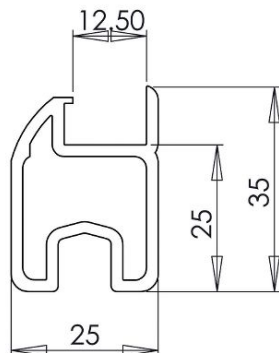
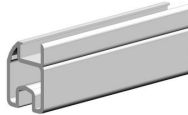
**B1020-003486** **NEW**

**A40722**

Aluminum profile MP34

Weight: 0.710 Kg /m

Delivery condition: In stock

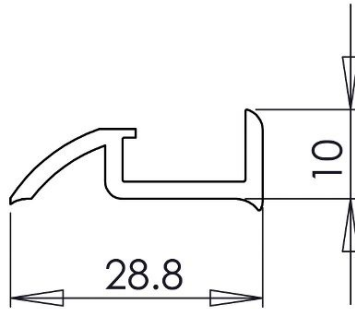


## Profile mouldings

**B1020-004130** **NEW**

**A40712**

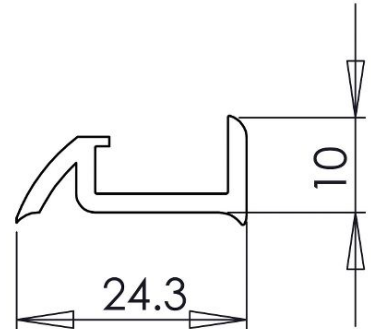
Aluminum profile MP22  
Weight: 0.261 Kg /m  
Delivery condition: In stock.



**B1020-004127** **NEW**

**A40711**

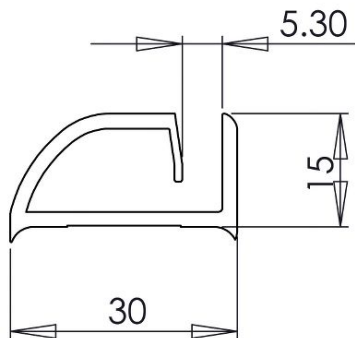
Aluminum profile MP21  
Weight: 0.224 Kg /m  
Delivery condition: In stock.



**B1020-004304** **NEW**

**A40833**

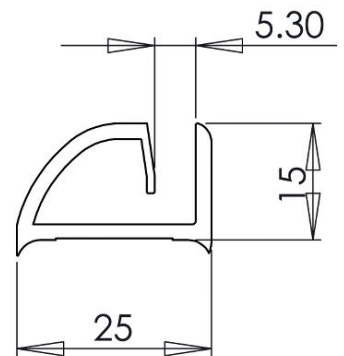
Moulding for profile without seal Q30  
Sheet: th. 5 mm  
Weight: 0.392 kg /m  
Delivery condition: In stock



**B1020-004301** **NEW**

**A40832**

Moulding for profile without seal Q25  
Sheet: th. 5 mm  
Weight: 0.336 kg /m  
Delivery condition: In stock

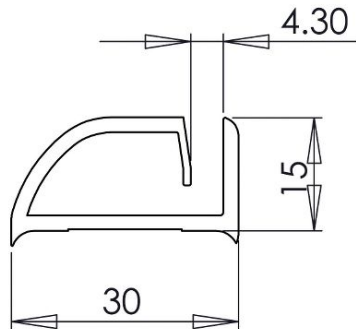


## Profile mouldings

**B1020-004298** **NEW**

**A40831**

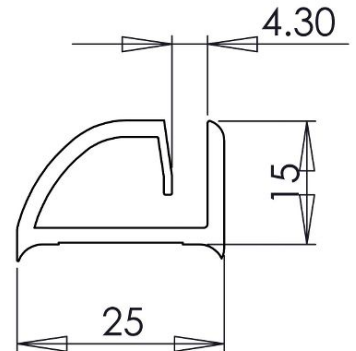
Moulding for profile without seal Q30  
 Sheet: th. 4 mm  
 Weight: 0.406 kg /m  
 Delivery condition: In stock  
 Note: for 4 mm thick material, only



**B1020-004295** **NEW**

**A40830**

Moulding for profile without seal Q25  
 Sheet: th. 4 mm  
 Weight: 0.354 kg /m  
 Delivery condition: In stock  
 Note: for 4 mm thick material, only

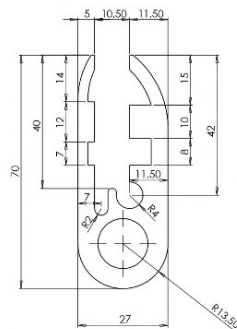
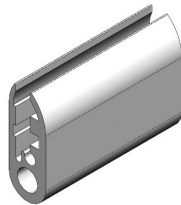


## Special profiles

**B1020-004181** **NEW**

**A40753L**

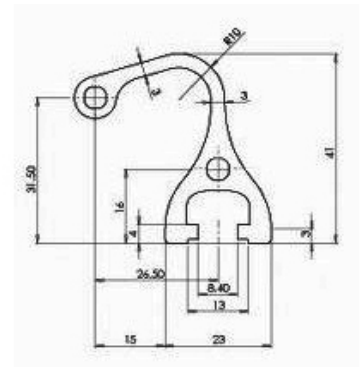
Hinge aluminium profile  
 Finishing: silver anodized  
 Weight: 2.544 Kg /m  
 Delivery condition: Available upon request. Delivery to be agreed upon.  
 ATTENTION: Usable with 10mm thickness materials.



**B1020-004227** **NEW**

**A40778**

Aluminum profile MP98 - Aluminium profile used by handle  
 Weight: 1.053 Kg  
 Finished: anodization  
 Delivery condition: In stock

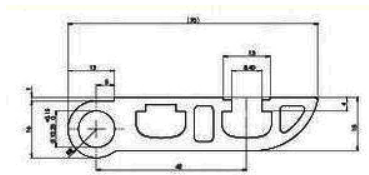


## Special profiles

**B1020-004224 NEW**

**A40777**

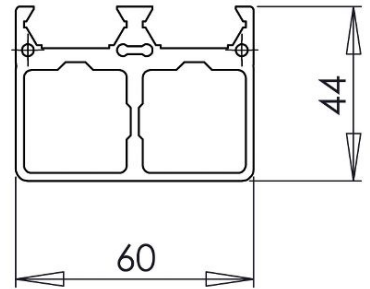
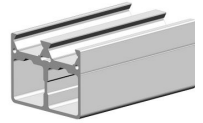
Aluminum profile MP97  
 Weight m /l: 1,496 Kg /Mt  
 Finished: anodization  
 Delivery condition: In stock  
 Note: Used for door with only plastic materials thickness between 8 to 12mm



**B1020-004208 NEW**

**A40769**

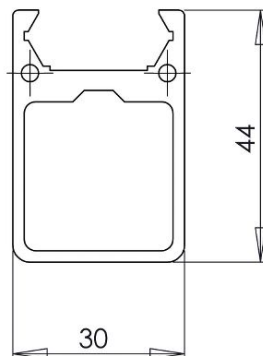
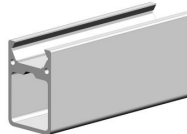
Aluminum profile MP78 for sliding frame with double dovetail guide  
 Weight: 1.925 kg /m  
 Delivery condition: In stock



**B1020-004205 NEW**

**A40768**

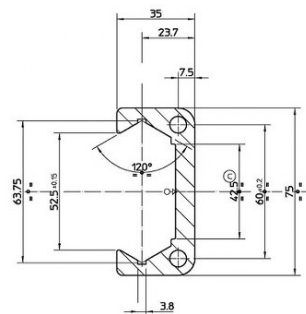
Aluminum profile MP77 for sliding frame with single dovetail guide  
 Weight: 0.986 kg /m  
 Delivery condition: In stock



**B1020-004200 NEW**

**A40766**

Aluminum profile MP75, dovetail guide.  
 Weight: 0.456 kg /m  
 Delivery condition: Available upon request. Delivery to be agreed upon.





## Special profiles

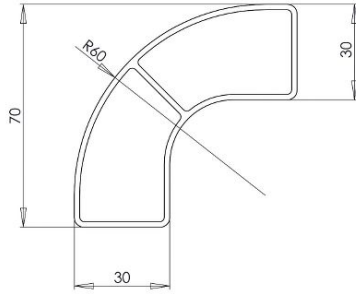
**B1020-003492** **NEW**

**A40765**

Aluminum profile MP74 for curved protective corner R60.

Weight: 1.270 kg /m

Delivery condition: In stock



**B1020-004179** **NEW**

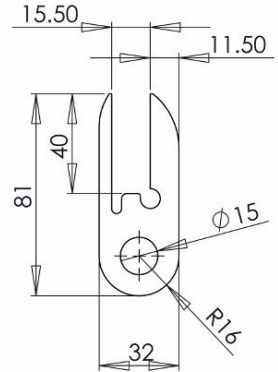
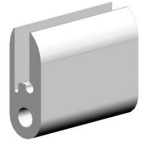
**A40753**

Hinge aluminium profile MP53

Finishing: silver anodized

Weight: 4.195 Kg /m

Delivery condition: Available upon request. Delivery to be agreed upon. Replaced by the profile A40753L.



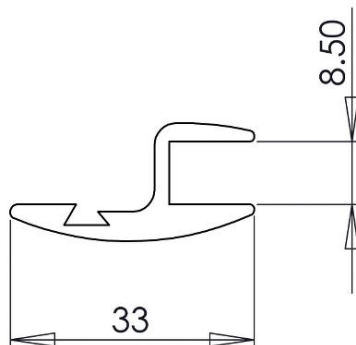
**B1020-004168** **NEW**

**A40727**

Central aluminium profile MP39 (for doors with 8mm sheet, only)

Weight: 0.404 Kg /m

Delivery condition: Available upon request. Delivery to be agreed upon.



# SEALS

The "Seals" section includes all **Lpm Group** products currently used and available in stock.

Seals are used on specific profiles as shown in product descriptions.

It should be remembered that profiles without seals have been available since 2010. This is possible if the material to be fitted into the profile is 4 - 5 mm thick.

For all materials having different thickness seals **MUST** be used.

Seals are available for materials with a thickness from 1.2 mm to 10 mm.

The seals are designed and manufactured for general use of the product.

They offer good chemical / physical resistance due to the technical characteristics of the components used. However, they are affected by external elements that may come in contact with the product and therefore, in case of specific use, it is recommended to verify the actual performance and resistance of the component in a specific application.

*The technical characteristics and sizes of products are indicative as they may vary and be subject to functional changes based on enhancements and production issues, which are the sole responsibility of Lpm Group.*

## Product technical characteristics

Mixes:

- F50150 and F50652 - the elastomer is silicone-based
- F50801, F50803, F50805, F50806, F50808, F50810, F50811 - the basic elastomer consists of Ethylene Propylene Diene Thermopolymer (EPDM)
- F50813, F50814 - the elastomer consists of NBR

Operating temperature:

- Minimum: -35°C
- Maximum: 90°C

Supply condition: In rolls. The size of the roll is visible on the specific component.

Thickness: The manufacture features depend on the model.

Finish: Black or grey.

Check for specific colour of the product required on each component.

## Frame seal

**B1050-001442** **NEW**

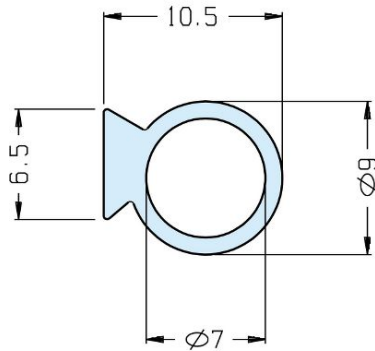
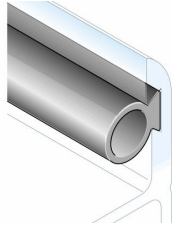
**F50652**

Seal for "MILPASS" profile type MP13 /MP17 /MP32 /MP33

Colour: grey

Weight m /l: 0.044 Kg

Pack: 44 m



**B1050-000223** **NEW**

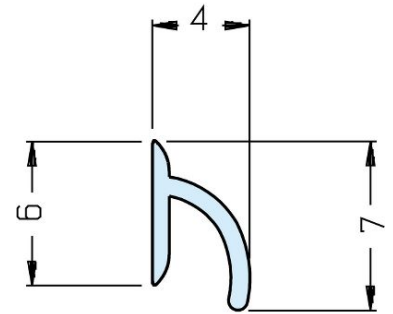
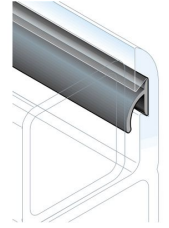
**F50150**

Seal for "MILPASS" profile type MP13 /MP17 /MP32 /MP33

Colour: black

Weight m /l: 0.015 Kg

Pack: 400 m reel



## Seal for profiles with seal

**B1050-001452** **NEW**

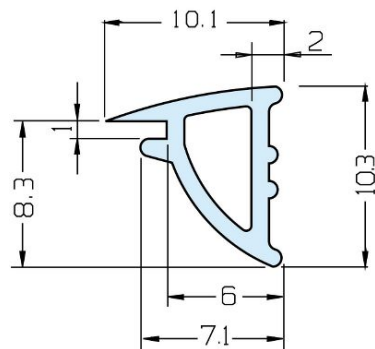
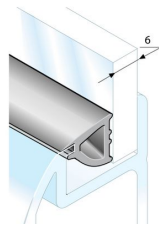
**F50806**

Seal for "MILPASS" profile type MP12 /MP16 /MP18 /MP21 /MP22 /MP26 /MP27 /MP32 /MP33 /MP34 (for 6 mm thicknesses)

Colour: grey

Weight m /l: 0.052 Kg

Pack: 180 m reel



**B1050-001450** **NEW**

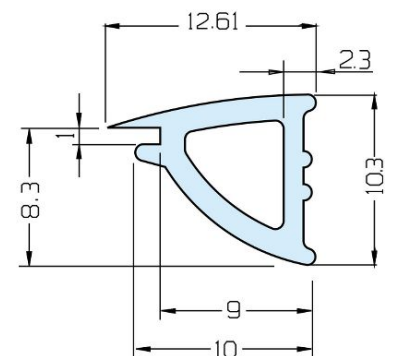
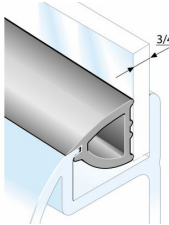
**F50803**

Seal for "MILPASS" profile type MP12 /MP16 /MP18 /MP21 /MP22 /MP26 /MP27 /MP32 /MP33 /MP34 (for 3 mm thicknesses)

Colour: grey

Weight m /l: 0.075 Kg

Pack: 130 m reel



## Seal for profiles with seal

**B1050-001454 NEW**

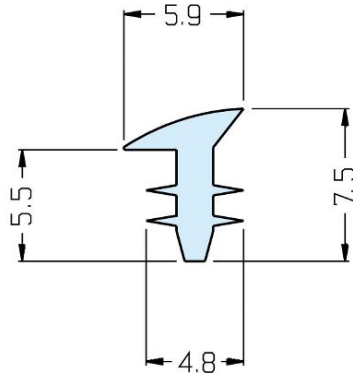
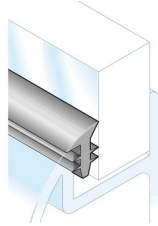
**F50810**

Seal for "MILPASS" profile type MP12 /MP16 /MP18 /MP21 /MP22 /MP26 /MP27 /MP32 /MP33 /MP34 (for 10 mm thicknesses )

Colour: grey

Weight m /l: 0.029 Kg

Pack: 250 m



**B1050-001453 NEW**

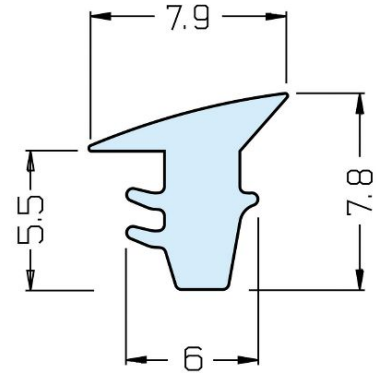
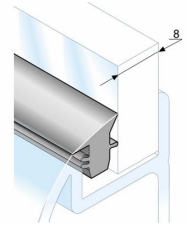
**F50808**

Seal for "MILPASS" profile type MP12 /MP16 /MP18 /MP21 /MP22 /MP26 /MP27 /MP32 /MP33 /MP34 (for 8 mm thicknesses )

Colour: grey

Weight m /l: 0.054 Kg

Pack: 180 m reel



**B1050-001451 NEW**

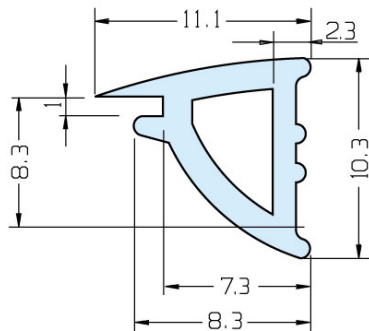
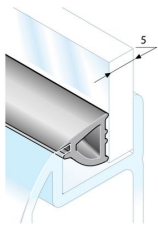
**F50805**

Seal for "MILPASS" profile type MP12 /MP16 /MP18 /MP21 /MP22 /MP26 /MP27 /MP32 /MP33 /MP34 (for 5 mm thicknesses)

Colour: grey

Weight m /l: 0.067 Kg

Pack: 150 meter reel



**B1050-001449 NEW**

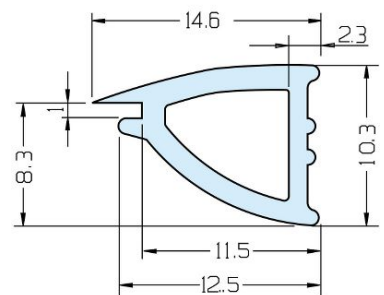
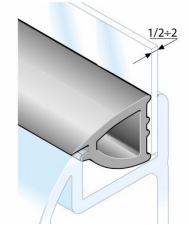
**F50801**

Seal for "MILPASS" profile type MP12 /MP16 /MP18 /MP21 /MP22 /MP26 /MP27 /MP32 /MP33 /MP34 (for thicknesses from 1 to 2 mm)

Colour: grey

Weight m /l: 0.083 Kg

Pack: 100 m reel



## Seals for profiles without seal

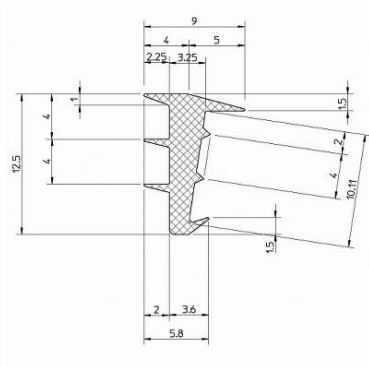
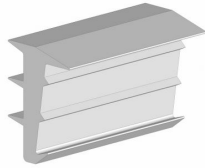
**B1050-001458** **NEW**

**F50815**

Seal for 1.2-1.5, 2 mm thick materials,  
for Milpass MP40, MP41 profile

Colour: black

Pack: 150 meter reel



## Oil-proof seals

**B1050-001457** **NEW**

**F50814**

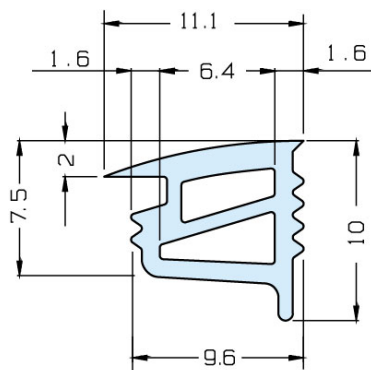
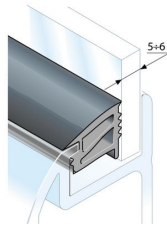
Oil-proof seal for "MILPASS" profile  
type MP12 /MP16 /MP18 /MP21  
/MP22 /MP26 /MP27 /

MP32 /MP33 /MP34 (for thicknesses  
from 5 to 6 mm)

Colour: black

Weight m /l: 0.051 Kg

Pack: 30 m



**B1050-001456** **NEW**

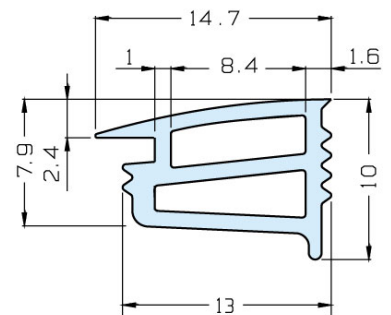
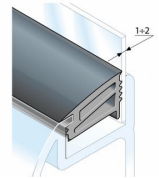
**F50813**

Oil-proof seal for "MILPASS" profile  
type MP12 /MP16 /MP18 /MP21  
/MP22 /MP26 /MP27 /MP32 /MP33  
/MP34 (for thicknesses from 1 to 2  
mm)

Colour: black

Weight m /l: 0.07 Kg

Pack: 30 m



## Special profile seals

**B1050-000225** **NEW**

**F50836**

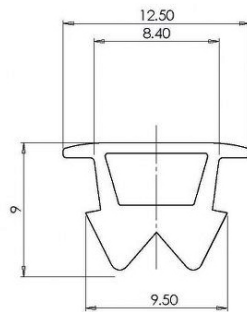
Seal for "MILPASS" profile type MP97  
/MP98

Material: PVC

Colour: Cristal

Weight m /l: 0,050 Kg

Pack: reel of 200 Meter



# SHEETS

The "Sheets" section offers a summary of the products in **Lpm Group** system. The nature and thickness of the material, if between 1.2 mm and 10 mm, do not represent a restraint in its use. For greater thickness specific solutions are necessary, which are provided by **Lpm Group** technical staff.

For each material category you will find all the main technical specifications to help you in choosing the product best suited to you.

**Lpm Group** provides the best choice on the market and most of all a direct and continuous co-operation with the leading world producers of the materials listed in each section.

All types listed are in stock in quantities depending on **Lpm Group** requirements. It should be remembered that plastic materials comply with the manufacturer's specific technical data sheets, and that improper use may cause changes in technical - mechanical features, for which neither **Lpm Group** or the manufacturer shall be liable.

In order to improve durability over time and use by the final customer **Lpm Group** applies labels in five different languages on each product / safety guard.

=====

Pulire con acqua e sapone

Nettoyer avec eau et savon

Wash with water and soap

mit Wasser und Seife sauber machen

Limpiar con agua y jabon

=====

## Technical characteristics Methacrylate

Composition:  
methyl methacrylate polymer  
Supply condition:  
2000x3000 mm sheets  
transparent or translucent  
Thickness:  
4/5/6/8/10/12/15/20 mm  
Colour: colourless or smoky  
grey  
Flash point:  
> 250 °C  
Softening temperature:  
> 110 °C  
Density: 1190 kg/m<sup>3</sup>

## Technical characteristics - polycarbonate

Composition: polyester resin,  
known commercially  
as LEXAN® or MAKROLON®  
Supply condition: transparent  
2000x3000 mm sheets  
Thickness: 3/4/5/6/8/10/12 mm  
Colour: colourless  
Inflammability: self-  
extinguishing Shatterproof  
Transparent material among the  
most resistant on the market,  
highly shock-resistant, high  
surface hardness, heat resistant  
up to 135° C (to 145°C if  
fiberglass reinforced).  
Odourless and tasteless,  
physiologically harmless and  
resistant to mineral and organic  
acids, grease, oil and  
hydrocarbons; particularly  
suitable as a protective shield in  
any industrial sector.

## Technical characteristics - Foamed PVC

Composition: polyvinyl chloride  
Supply condition: sheets in  
varying sizes  
Thickness: 5 mm (grey-white  
and coloured) 10 mm (white)  
Colour: white or coloured  
Inflammability: self-  
extinguishing  
Highly shock-resistant  
Density: 0.75 kg/m<sup>3</sup>

## Transparent cast and extruded methacrylates

**B1020-000257** **NEW**

**D40604**

Extruded transparent metacrylate sheet.

Delivery condition: 3050x2050 sheet

Thickness	Weight Kg/m <sup>2</sup>	Code
4	4.85	D40604
5	6.03	D40605
8	9.57	D40608



**B1020-000082** **NEW**

**D40104**

Transparent metacrylate sheet

Delivery condition: 3050x2050 sheet

Thickness	Weight Kg/m <sup>2</sup>	Code
4	4.85	D40104
5	6.03	D40105
6	7.21	D40106
8	9.57	D40108
10	11.93	D40110
12	14.29	D40112
15	17.83	D40115



## Smoked cast and extruded methacrylates

**B1020-000270** **NEW**

**D40905**

Extruded smoked metacrylate sheet.

Delivery condition: 3050x2050 sheet

Thickness	Weight Kg/m <sup>2</sup>	Code
5	6.00	D40905
8	9.60	D40908



**B1020-004370** **NEW**

**D40303**

Colored (Fumè) metacrylate sheet

Delivery condition: 3050x2050 sheet

Note: check on the table the code needed

Thickness	Weight Kg/m <sup>2</sup>	Code
3	3.67	D40303
4	4.85	D40304
5	6.03	D40305
6	7.21	D40306
8	9.57	D40308
10	11.93	D40310
12	14.29	D40112
15	17.83	D40115





## Shock-proof methacrylates

**B1020-000273** **NEW**
**D40505**

Shockproof metacrylate, thickness 5 mm

Delivery condition: 3050x2050 sheet

Thickness	Weight Kg/m <sup>2</sup>	Code
5	6,00	D40505
6	7,20	D40506
8	9,60	D40508
10	12,00	D40510



## Transparent polycarbonates

**B1020-000354** **NEW**
**D50103**

Transparent polycarbonate sheet

Delivery condition: 3050x2050 sheet

Thickness	Weight Kg/m <sup>2</sup>	Code
3	3.67	D50103
4	4.85	D50104
5	6.03	D50105
6	7.21	D50106
8	9.57	D50108
10	11.93	D50110
12	14.29	D50112
15	17.83	D50115



## Coloured/special polycarbonates

**B1020-000416** **NEW**

**OD52108**

Margard MR5E /112 polycarbonate, thickness 5mm

Delivery condition: 3050x2050 sheet

Available upon request. Delivery to be agreed upon.



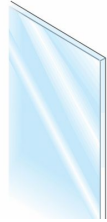
**B1020-000383** **NEW**

**OD52105**

Margard MR5E /112 polycarbonate, thickness 5mm

Delivery condition: 3050x2050 sheet

Available upon request. Delivery to be agreed upon.



**B1020-000422** **NEW**

**D53108**

Antistatic polycarbonate, thickness 8mm

Delivery condition: 3050x2050 sheet

Available upon request. Delivery to be agreed upon.



**B1020-004378** **NEW**

**D50498**

Smoked grey Lexan, thickness 8mm

Delivery condition: 3050x2050 sheet

Available upon request. Delivery to be agreed upon.



## Coloured/special polycarbonates

**B1020-004377** **NEW**

**D50485**

Smoked Lexan Excell D, thickness 5mm

Delivery condition: 3050x2050 sheet

Available upon request. Delivery to be agreed upon.



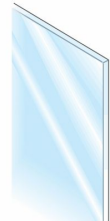
**B1020-000385** **NEW**

**D50455**

Transparent Lexan Excell D, thickness 5mm

Delivery condition: 3050x2050 sheet

Available upon request. Delivery to be agreed upon.



## Transparent PETG

**B1020-001529** **NEW**

**D41603**

Transparent PETG, thickness 3mm

Weight:

Delivery condition: 3050x2050 sheet



Thickness	Weight Kg/m <sup>2</sup>	Code
3	3.67	D41603
4	4.85	D41604
5	6.03	D41605
6	7.21	D41606
8	9.57	D41608
10	11.93	D41610


## Coloured foam PVC

**B1020-000806** **NEW**

**D61106**

Coloured foam PVC sheets  
 Delivery condition: custom made  
 Available upon request. Delivery to be agreed upon.  
 Important information: Color is identified on "Pantone" scale.  
 Is possible to have some difference in the color between two different production lot.

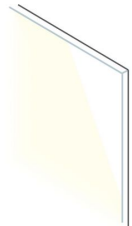



Colors	Thick.	Weight Kg/m <sup>2</sup>	Code
	5	3.5	D61106
	5	3.5	D61206
	5	4.2	D61306
	5	4.2	D61406
	5	4.2	D61506
	5	4.2	D61606

**B1020-000809** **NEW**

**D60905**

White foam PVC sheets  
 Dimension format: 3050x1560mm sheet  
 Delivery condition: Custom made, Available upon request. Delivery to be agreed upon.  
 Important information: Color is identified on "Pantone" scale.  
 Is possible to have some difference in the color between two different production lot.



Colors	Thick.	Weight Kg/m <sup>2</sup>	Code
	5	3.5	D60905
	10	7	D60910



## Coloured compact PVC

**B1020-004385** **NEW**

**D60105**

Compact PVC  
 Dimension format: 3000x1500mm sheet  
 Delivery condition: Custom made, Available upon request. Delivery to be agreed upon.  
 Important information: Color is identified on "Pantone" scale.  
 Is possible to have some difference in the color between two different production lot.



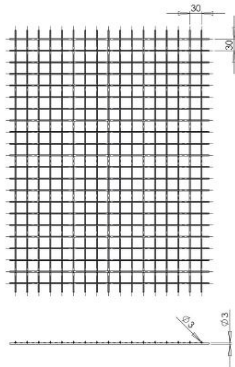
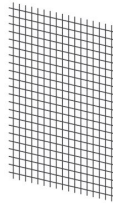
Colors	Thick.	Weight Kg/m <sup>2</sup>	Code
	5	7,35	D60105
	8	11,76	D60108
	10	14,70	D60110
	4	5,88	D60304
	5	7,133	D60305
	3	4,41	D60603
	5	7,35	D60605
	6	8,82	D60606
	8	11,76	D60608
	10	14,70	D60610

## Mesh and plates

**B1020-004359** **NEW**

**D21103**

30 mm square mesh, 3mm wire  
 Material: stainless steel Aisi 304  
 Finish: butter-finish  
 Delivery condition: 1200x2400 sheet  
 Available upon request. Delivery to be agreed upon



**Lamiera-Verniciata**

Painted plate, thickness 1.5mm  
 Delivery condition: custom-made.  
 Specify RAL.  
 Available upon request. Delivery to be agreed upon



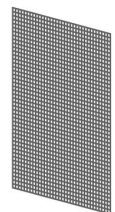
**Lamiera-Inox**

Stainless steel plate, thickness 1.5mm  
 Delivery condition: custom-made  
 Available upon request. Delivery to be agreed upon



**Lamiera-Forata-q10**

Stainless steel 10mm square mesh slotted plate  
 Available upon request. Delivery to be agreed upon.

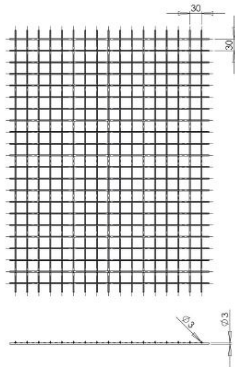
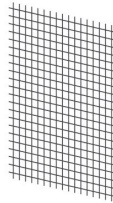


## Mesh and plates

**B1020-004355** **NEW**

**D11104**

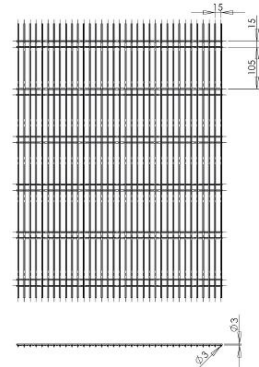
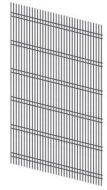
Electrowelded 30 mm mesh, 3mm wire  
 Material: Fe  
 Finish: Galvanised  
 Delivery condition: 1200x2400 sheet



**B1020-004358** **NEW**

**D21102**

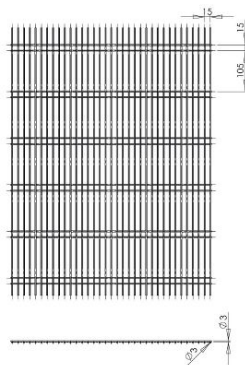
Tec electrowelded mesh, 3mm wire  
 Material: Aisi 304  
 Finish: Butter-finished  
 Delivery condition: Available upon request. Delivery to be agreed upon.



**B1020-004353** **NEW**

**D11103**

Tec electrowelded mesh, 3mm wire  
 Material: Fe  
 Finish: Galvanised  
 Delivery condition: 1200x2400 sheet



## Layered glasses

### Vetro-Securit-6-7

Securit 6 /7 layered glass  
Delivery condition: custom-made  
Available upon request. Delivery to be agreed upon.



### Vetro-Securit-4-5

Securit 4 /5 layered glass  
Delivery condition: custom made  
Available upon request. Delivery to be agreed upon.



## Hardened glasses

### Vetro-Securit-10mm

Hardened glass, thickness 10mm  
Delivery condition: custom-made  
Available upon request. Delivery to be agreed upon.



### Vetro-Securit-8mm

Hardened glass, thickness 8mm  
Delivery condition: custom-made  
Available upon request. Delivery to be agreed upon.



## Aluminum Composite

**B1020-001645** **NEW**

**D00504**

Aluminium composite Thickness 4mm

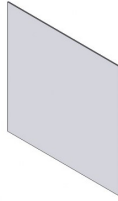
Color: White / White

Format: 3050x1500mm

Status: Available in warehouse

Notes: The material is made from two sheets of Aluminium Sp. 0,2mm with inside the black polyethylene. The whole is glued. very durable material impact in normal daily use.

You can paint it with excellent aesthetic results.



**B1020-001651** **NEW**

**D00404**

Aluminium composite Thickness 4mm

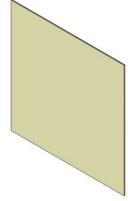
Color: Beige RAL 1013

Format: 3050x1500mm

Status: Available in warehouse

Notes: The material is made from two sheets of Aluminium Sp. 0,2mm with inside the black polyethylene. The whole is glued. very durable material impact in normal daily use.

You can paint it with excellent aesthetic results.



**B1020-001662** **NEW**

**D00304**

Aluminium composite Thickness 4mm

Color: Grey / Grey (RAL 9006 similar)

Format: 3050x1500mm

Status: Available in warehouse

Notes: The material is made from two sheets of Aluminium Sp. 0,2mm with inside the black polyethylene. The whole is glued. very durable material impact in normal daily use.

You can paint it with excellent aesthetic results.





## ■ Soundproofing

**B1020-001653** **NEW**

**D70104**

Soundproofing 2 Kg /Mq, thickness  
12mm

Format: 1000x1200mm

Delivery note: Available in warehouse.  
Delivery time to be agreed.

Note: One edge of material is covered  
with plastic surface easily washable.



# GLUES

## NEUTRAL SILICONE (Code H 10105)

### **Characteristics:**

- rapid non-acid polymerisation
- permanent elasticity
- excellent adhesion for vitreous materials, aluminium, painted surfaces, PVC and other plastic materials
- high temperature resistance
- solvent-free
- transparent.

Used for sound-insulating surfaces, plastic materials, perimeter sealing.

### **Application:**

the surface must be clean and dry.

### **Precautions:**

non-polymerised products can irritate the eyes, the respiratory system and the skin.

Use in a ventilated room; if the product comes into contact with the eyes, wash with running water and consult a doctor.

### **Shelf life:**

12 months from the date of manufacture if kept at a temperature between +5°C and +25°C.

## LIQUID GLUE (Code H 11115)

### **Characteristics:**

- use a spatula to apply
- highly waterproof
- excellent adhesion to metal, glass and plastic
- it hardens by solvent evaporation
- light grey colour

Used to attach flat sound-insulating material to plate.

### **Application:**

the surface should be clean, dust-free and dry.

Apply a thin layer over the entire surface with a spatula and join together.

### **Shelf life:**

6 months from the date of manufacture if kept at a temperature between +5°C and +25°C.

## JOINT GLUE (Code H 11116)

### **Characteristics:**

- solvent-free
- fast setting
- transparent amber colour

### **Application:**

apply a thin strip of glue, bearing in mind that while hardening the product swells and excess material tends to come out when the aluminium profiles are joined. The parts must be joined together within 5 minutes of application.

---

### **Supply conditions**

In a package only where indicated on the specific component

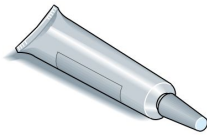
## ■ Glues for aluminum line couplings

**B1020-004429** **NEW**

**H11116**

Glue in cartridge

Delivery condition: Box with 6 pieces



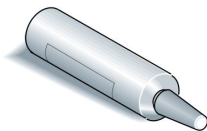
## ■ Glues for plastic materials

**B1020-004428** **NEW**

**H10105**

Neutral silicone in cartridge

Delivery condition: Box with 24 cartridges



# COUPLINGS

The "Couplings" section includes all the components currently manufactured by **Lpm Group** and available in stock.

All components in this section are in RAL 7039 colour like all the polyamide accessories belonging to **Lpm Group** system.

In case the component is of aluminium, the finish treatment will be Elox anodising.

The Polyamide Polymer "6" is reinforced with fiberglass and contains a percentage of elastomer which improves its resistance to deformation, without making it elastic, and avoiding the resulting brittle fracture.

The range of products available is vast and always allows **Lpm Group** to obtain the best results while maintaining the aesthetic and ergonomic features of the product.

In relation to aesthetic and practical needs, to have a clean and gap-free component, etc., the coupling is generally applied to the profile with fast setting glue (code H11116). In the case of customer specific requests or for technical reasons it can be secured with a screw or a rivet.

*The technical characteristics and sizes of products are indicative as they may vary and be subject to functional changes based on enhancements and production issues, which are the sole responsibility of Lpm Group.*

## **Product technical characteristics**

Structure: partially crystalline thermoplastic material

Reinforcement material: fiberglass

Colour: RAL 7039

Mechanical characteristics:

- High fatigue strength
- Resistance to wear
- Highly shock-resistant
- Good resistance to ageing

Electrical characteristics: good resistance to contact current

Thermal characteristics: VICAT (softening point) 215°C

Resistant to:

- Hydrocarbons
- Petrol
- Oil and grease
- Alkaline solutions in general

Food Compatibility: To be verified depending on applications

Supply conditions: In a package only where indicated on the specific component

## 1-way couplings Q25

**B1050-000101** **NEW**

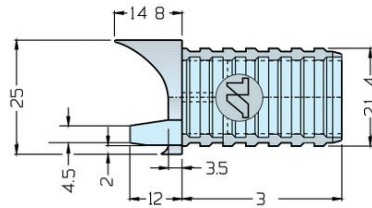
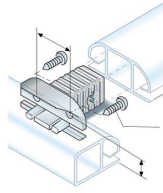
**L15841**

1-way polyamide (with fiberglass) coupling for Q25 tube

Colour:RAL 7039

Weight: 0.010 Kg

Delivery condition: 200 pc pack



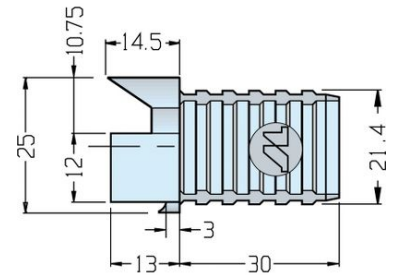
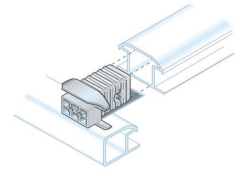
**B1050-000098** **NEW**

**L15829**

1-way polyamide (with fiberglass) coupling for Q25 tube, to be used to connect A 40708 and A 40701 profiles and similar

Colour: RAL 7039

Weight: 0.012 Kg



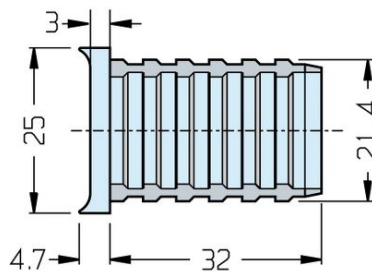
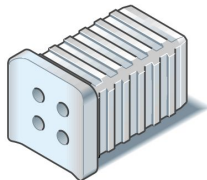
**B1050-000084** **NEW**

**L15801**

1-way polyamide (with fiberglass) coupling for Q25 tube

Colour: RAL 7039

Weight: 0.010 Kg



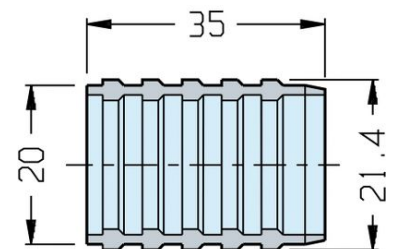
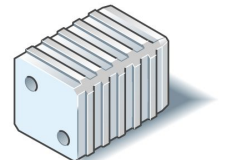
**B1050-001822** **NEW**

**L15501**

1-way polyamide (with fiberglass) coupling for Q25 tube

Colour: black

Weight: 0.009 Kg



## 1-way couplings Q30

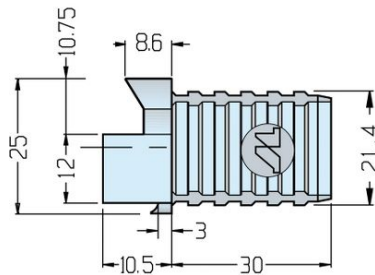
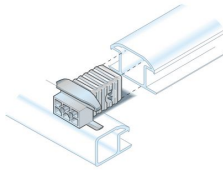
**B1050-001903** NEW

**L15844**

1-way polyamide (with fiberglass)  
coupling for Q25 tube, to be used to  
connect A 40708 and A 40706 profiles  
and similar

Colour: RAL 7039

Weight: 0.012 Kg



**B1050-000103** NEW

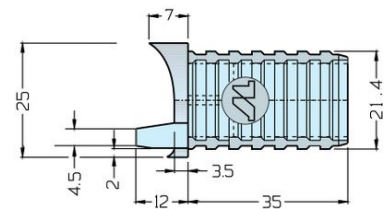
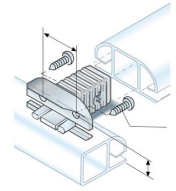
**L15843**

1-way polyamide  
(with fiberglass) coupling for Q25  
tube, to be used to connect A 40808 A  
and 40806 profiles and similar

Colour: RAL 7039

Weight: 0.015Kg

Delivery condition: 200 pc package



**B1050-000090** NEW

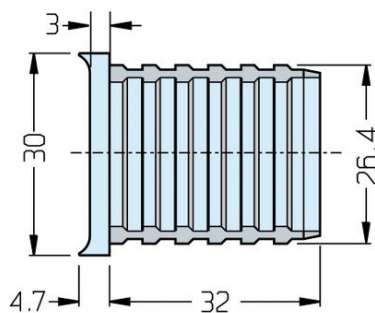
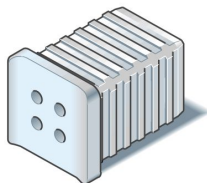
**L15811**

1-way polyamide (with  
fiberglass) coupling for Q30 tube

Colour: RAL 7039

Weight: 0.014 Kg

Delivery condition: 300 pc package



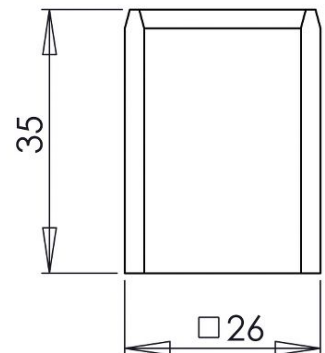
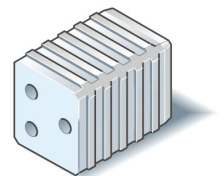
**B1050-001823** NEW

**L15511**

1-way polyamide (with  
fiberglass) coupling for Q30 tube

Colour: black

Weight: 0.015 Kg



## 2-way couplings Q25

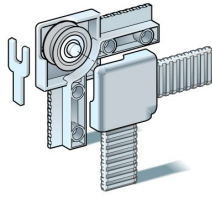
**B1050-000104** **NEW**

**N15849**

2-way coupling (with internal bearing)  
for A40822 profile

Colour: RAL 7039

Weight: 0.056 Kg



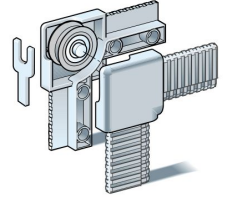
**B1050-002004** **NEW**

**N15839**

2-way coupling (with internal bearing)  
for A 40722 profile

Colour: RAL 7039

Weight: 0.047 Kg



**B1050-000100** **NEW**

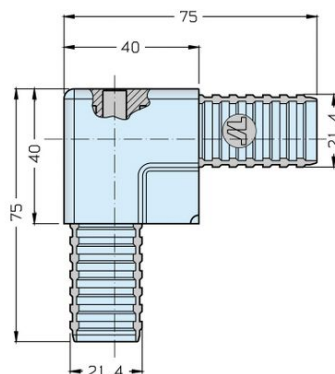
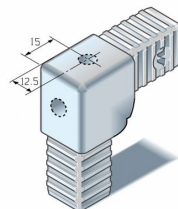
**L15840**

2-way polyamide (with fiberglass)  
coupling for A40801 profile

Colour: RAL 7039

Weight: 0.052 Kg

Delivery condition: 200 pc package



**B1050-000099** **NEW**

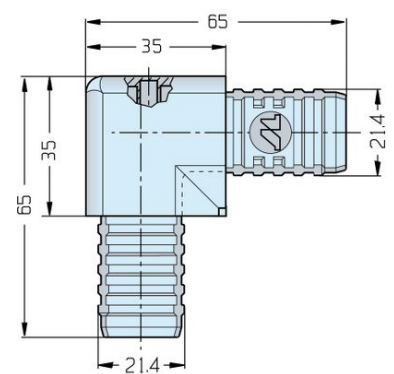
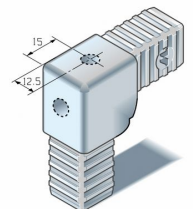
**L15830**

2-way polyamide (with fiberglass)  
coupling for A 40701 profile

Colour: RAL 7039

Weight: 0.040 Kg

Delivery condition: 100 pc package



## 2-way couplings Q25

**B1050-000085** **NEW**

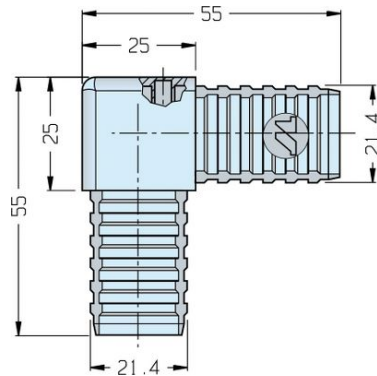
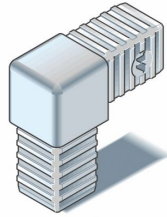
**L15802**

2-way polyamide (with fiberglass) coupling for Q25 tube

Colour: RAL 7039

Weight: 0.027 Kg

Delivery condition: 200 pc package



## 2-way couplings Q30

**B1050-000102** **NEW**

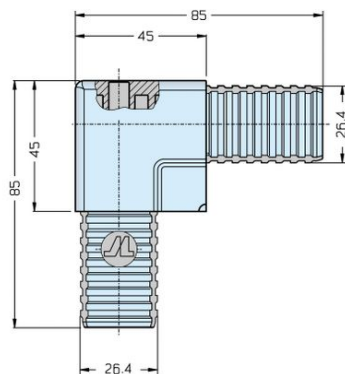
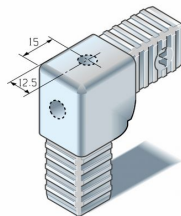
**L15842**

2-way polyamide (with fiberglass) coupling for A40806 profile

Colour: RAL 7039

Weight: 0.075 Kg

Delivery condition: 100 pc package



**B1050-001896** **NEW**

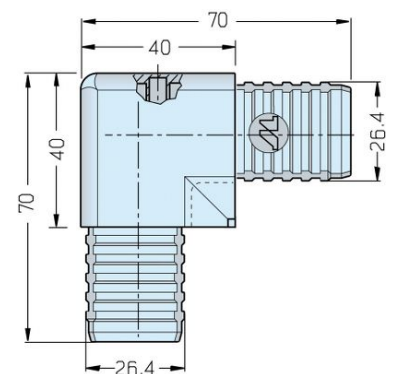
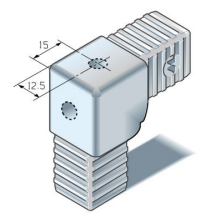
**L15838**

2-way polyamide (with fiberglass) coupling for A40706 profile

Colour: RAL 7039

Weight: 0.036 Kg

Delivery condition: 150 pc package





## 2-way couplings Q30

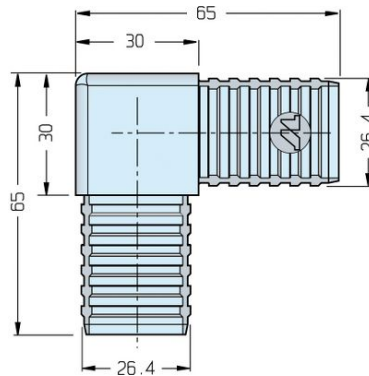
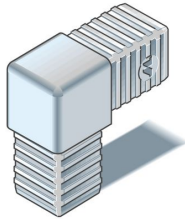
**B1050-000091** **NEW**
**L15812**

2-way polyamide (with fiberglass) coupling for Q30 tube

Colour: RAL 7039

Weight: 0.040 Kg

Delivery condition: 200 pc package



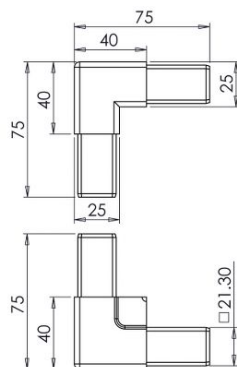
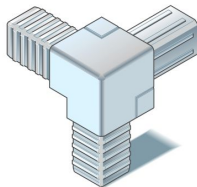
## 3-way couplings Q25

**B1050-000105** **NEW**
**L15850**

3-way polyamide (with fiberglass) coupling for A40801 / A40815 profile

Colour: RAL 7039

Weight: 0.076 Kg

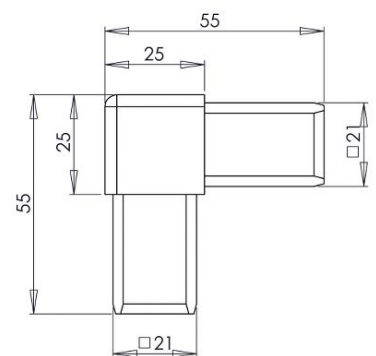
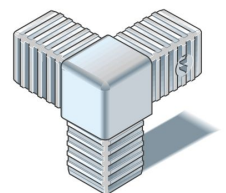

**B1050-000086** **NEW**
**L15803**

3-way polyamide (with fiberglass) coupling for Q25 tube

Colour: RAL 7039

Weight: 0.033 Kg

Delivery condition: 100 pc package



## 3-way couplings Q30

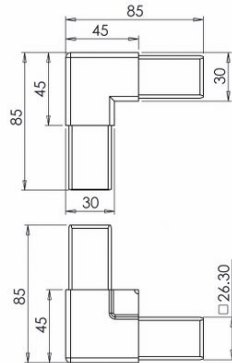
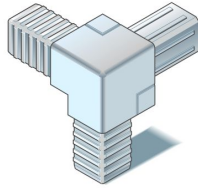
**B1050-000106** NEW

**L15851**

3-way polyamide (with fiberglass) coupling for A40806 / A40816 profile

Colour: RAL 7039

Weight: 0.100 Kg


**B1050-000092** NEW

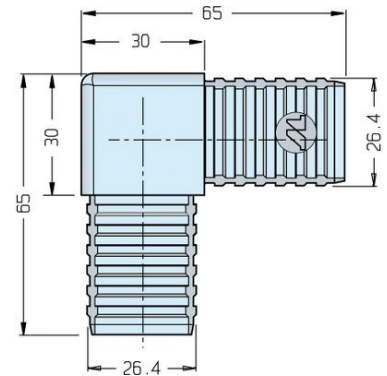
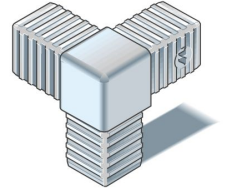
**L15813**

3-way polyamide (with fiberglass) coupling for Q30 tube

Colour: RAL 7039

Weight: 0.049 Kg

Delivery condition: 50 pc package



## 2-way curved couplings

**B1050-000094** NEW

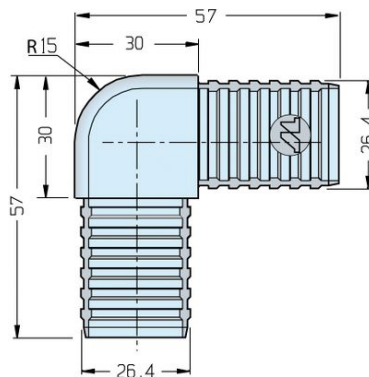
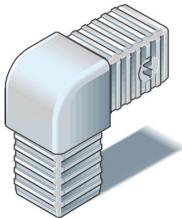
**L15817**

2-way curved polyamide (with fiberglass) coupling for Q30 tube

Colour: RAL 7039

Weight: 0.038 Kg

Delivery condition: 100 pc package


**B1050-001884** NEW

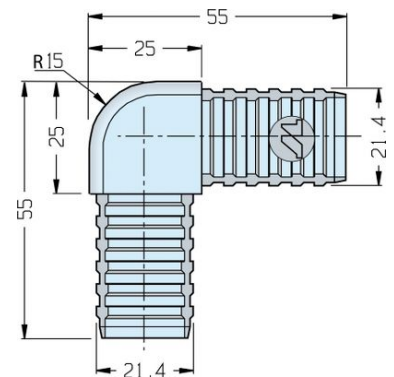
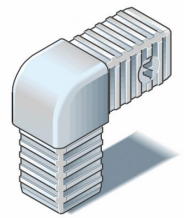
**L15807**

2-way curved polyamide (with fiberglass) coupling for Q25 tube

Colour: RAL 7039

Weight: 0.028 Kg

Delivery condition: 150 pc package

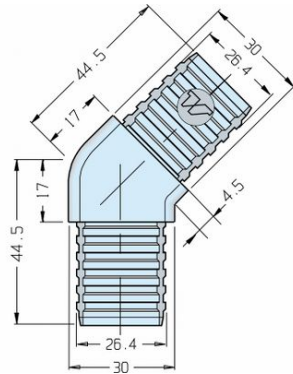
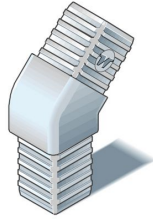


## 2-way 45° couplings

**B1050-000095** **NEW**

**L15818**

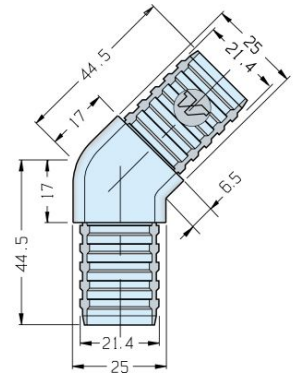
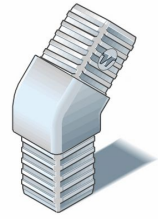
2-way 45° curved polyamide  
(with fiberglass) coupling for Q30 tube  
Colour: RAL 7039  
Weight: 0.032 Kg



**B1050-000088** **NEW**

**L15808**

2-way 45° curved polyamide  
(with fiberglass) coupling for Q25 tube  
Colour: RAL 7039  
Weight: 0.022 Kg

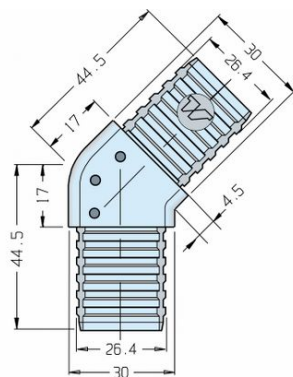
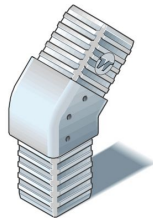


## Couplings for mouldings

**B1050-000096** **NEW**

**L15819**

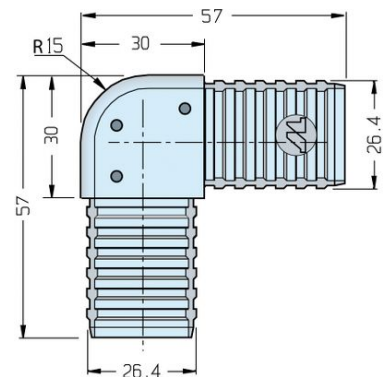
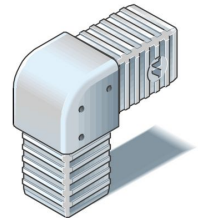
2-way 45° curved polyamide  
(with fiberglass) coupling for Q30 tube  
Colour: RAL 7039  
Weight: 0.031 Kg



**B1050-001890** **NEW**

**L15815**

2-way curved polyamide  
(with fiberglass) coupling for Q30 tube  
Colour: RAL 7039  
Weight: 0.038 Kg



## Couplings for mouldings

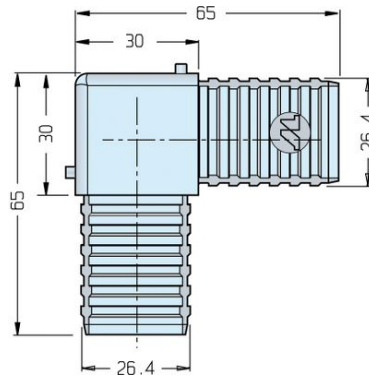
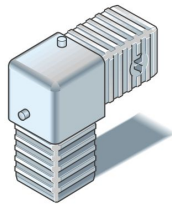
**B1050-000093** NEW

**L15814**

2-way polyamide (with fiberglass) coupling for Q30 tube

Colour: RAL 7039

Weight: 0.040 Kg

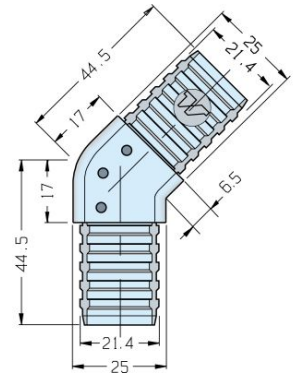
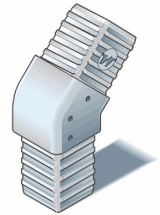

**B1050-000089** NEW

**L15809**

2-way 45° curved polyamide (with fiberglass) coupling for Q25 tube

Colour: RAL 7039

Weight: 0.022 Kg

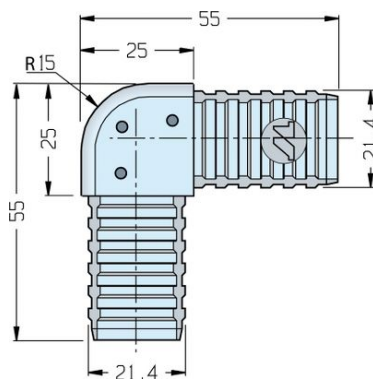
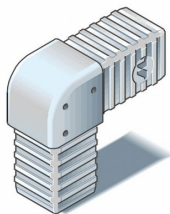

**B1050-001883** NEW

**L15805**

2-way curved polyamide (with fiberglass) coupling for Q25 tube

Colour: RAL 7039

Weight: 0.029 Kg

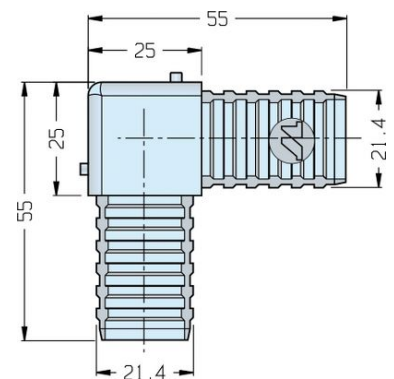
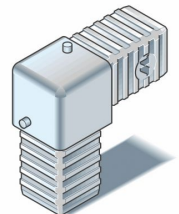

**B1050-000087** NEW

**L15804**

2-way polyamide (with fiberglass) coupling for Q25 tube

Colour: RAL 7039

Weight: 0.027 Kg





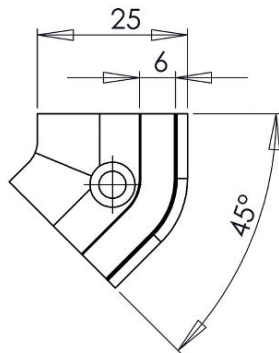
## Aluminum couplings and moulding Q25

**B1050-002049** **NEW**
**N15955A**

Moulding for 45° aluminum coupling for Q.25 profile without seal

Finish: elox anodised

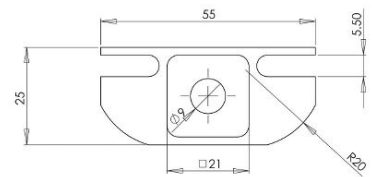
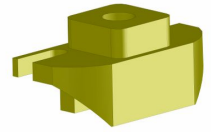
Delivery condition: Available upon request. Delivery to be agreed upon.


**B1050-002043** **NEW**
**N15941A**

1-way coupling for connection of MP40 and MP42 profiles, both Q.25 profiles

Finish: elox anodised

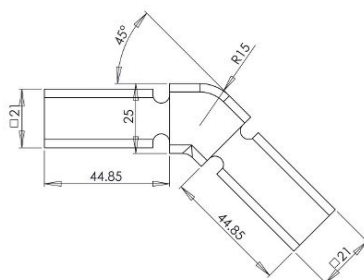
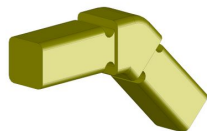
Delivery condition: Available upon request. Delivery to be agreed upon.


**B1050-002018** **NEW**
**N15908A**

2-way 45° aluminum coupling for Q.25 profile

Finish: elox anodised

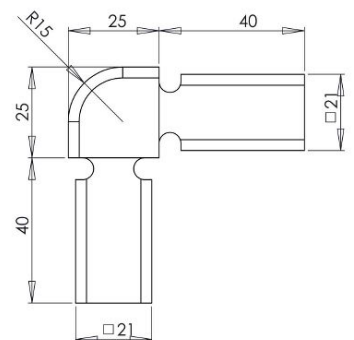
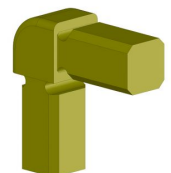
Delivery condition: Available upon request. Delivery to be agreed upon.


**B1050-002015** **NEW**
**N15907A**

2-way curved R15 aluminum coupling for Q.25 profile

Finish: elox anodised

Delivery condition: Available upon request. Delivery to be agreed upon.



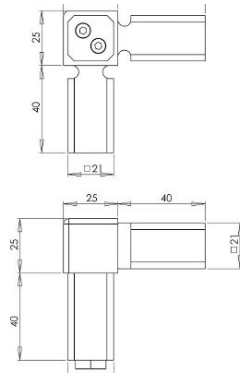
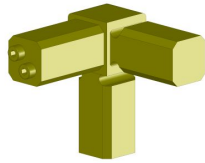
## Aluminum couplings and moulding Q25

**B1050-002013** **NEW**
**N15903A**

3-way aluminum coupling for Q.25 profile

Finish: elox anodised

Delivery condition: Available upon request. Delivery to be agreed upon.

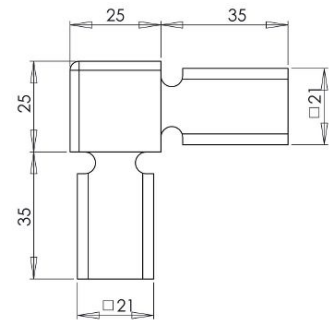
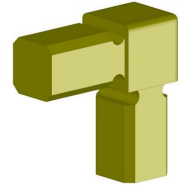

**B1050-002010** **NEW**
**N15902A**

2-way aluminium coupling for Q25 tube

Finish: elox anodised

Weight: 0.155 Kg

Delivery condition: Available upon request. Delivery to be agreed upon.



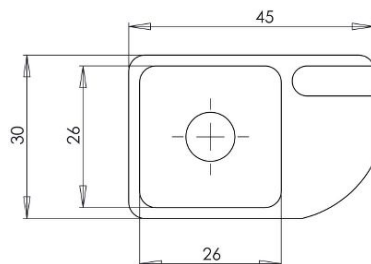
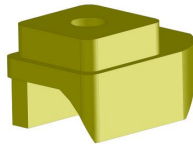
## Aluminum couplings and moulding Q30

**B1050-002069** **NEW**
**N15994A**

1-way aluminum coupling for the perpendicular combination of MP41 profiles (Q.30mm)

Finish: elox anodised

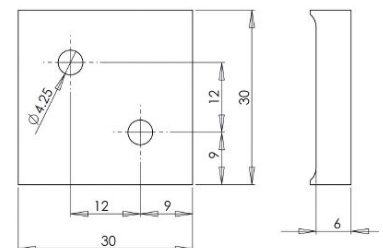
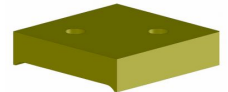
Delivery condition: Available upon request. Delivery to be agreed upon.


**B1050-002066** **NEW**
**N15990A**

1-way aluminum coupling for Q.30mm profile without dowel for insertion inside the profile

Finish: elox anodised

Delivery condition: Available upon request. Delivery to be agreed upon.



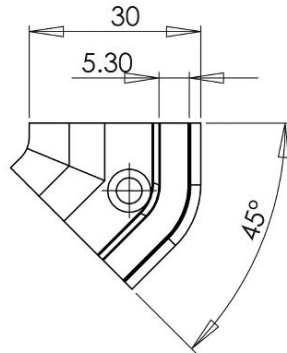
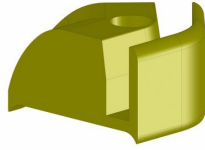
## Aluminum couplings and moulding Q30

**B1050-002052** **NEW**
**N15956A**

Moulding for 45° aluminum coupling for Q.30 mm profile without seal

Finish: elox anodised

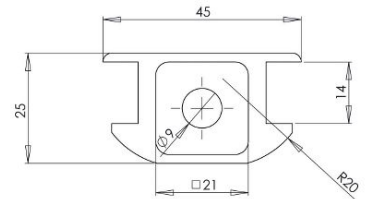
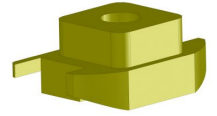
Delivery condition: Available upon request. Delivery to be agreed upon.


**B1050-002046** **NEW**
**N15944A**

1-way aluminum coupling connecting MP18 profile with seal (Q.25mm) and MP16 profile with seal (Q.30mm)

Finish: elox anodised

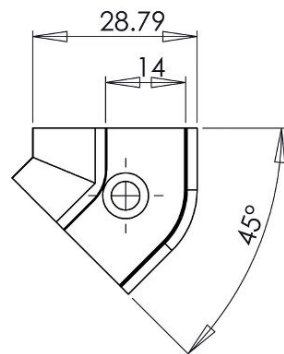
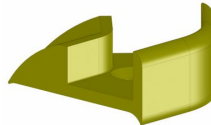
Delivery condition: Available upon request. Delivery to be agreed upon.


**B1050-002040** **NEW**
**N15928A**

Moulding for 45° aluminum coupling for Q.30 profile with seal

Finish: elox anodised

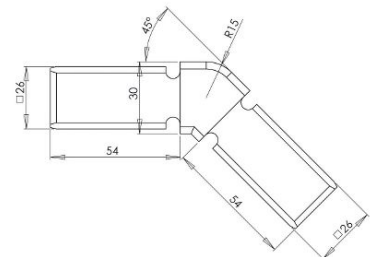
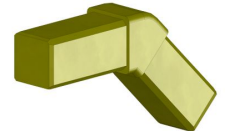
Delivery condition: Available upon request. Delivery to be agreed upon.


**B1050-002034** **NEW**
**N15918A**

2-way 45° aluminum coupling for Q.30 profile

Finish: elox anodised

Delivery condition: Available upon request. Delivery to be agreed upon.





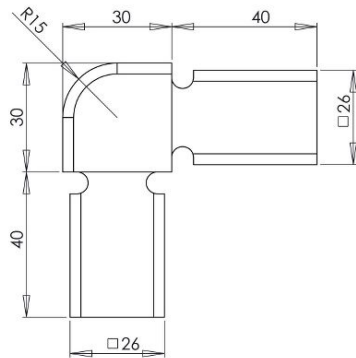
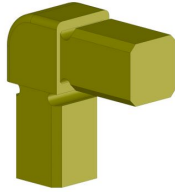
## Aluminum couplings and moulding Q30

**B1050-002031** **NEW**
**N15917A**

2-way aluminum R15 curved coupling for Q.30 profile

Finish: elox anodised

Delivery condition: Available upon request. Delivery to be agreed upon.

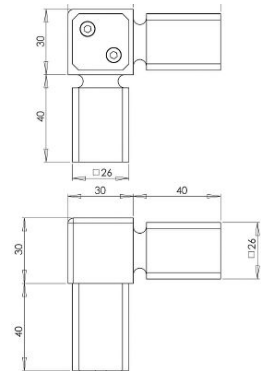
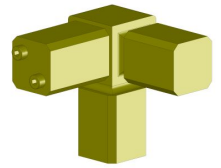

**B1050-002027** **NEW**
**N15913A**

3-way aluminium coupling for Q30 tube

Finish: elox anodised

Weight: 0.265 Kg

Delivery condition: Available upon request. Delivery to be agreed upon.

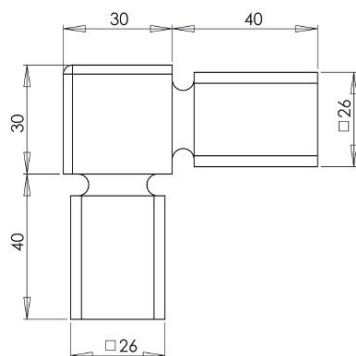
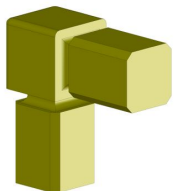

**B1050-002022** **NEW**
**N15912A**

2-way Aluminium coupling for Q30 tube

Finish: elox anodised

Weight: 0.240 Kg

Delivery condition: Available upon request. Delivery to be agreed upon.

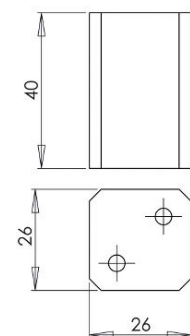
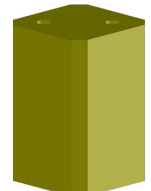

**N15911A**

1-way aluminium coupling for Q30 tube

Finish: natural

Weight: 0.090 Kg

Delivery condition: Available upon request. Delivery to be agreed upon.



## Aluminum couplings and moulding Q30

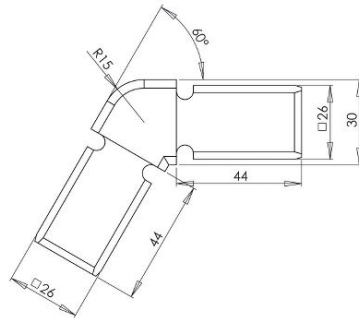
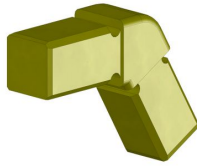
**B1050-002059** **NEW**
**N15985A**

2-way 60° aluminum coupling for Q30 tube

Finish: anodised elox

Delivery condition: Available upon request. Delivery to be agreed upon.

Note: if necessary, it can be combined with polyamide mouldings

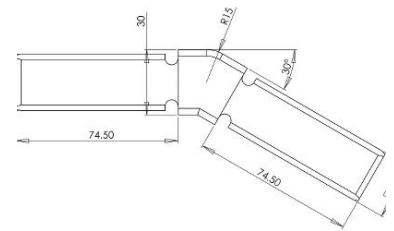
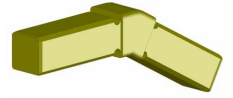

**B1050-002056** **NEW**
**N15984A**

2-way 30° aluminum coupling for Q30 profile

Finish: anodised elox

Delivery condition: Available upon request. Delivery to be agreed upon.

Note: if necessary, it can be combined with polyamide mouldings



# MOULDINGS

*Product specifications and dimensions are indicative as they may be subject to changes by the supplier.  
Lpm Group disclaims any responsibility for any differences found on the product.*

## Mouldings for Q25 couplings with seal

**B1050-001923** **NEW**

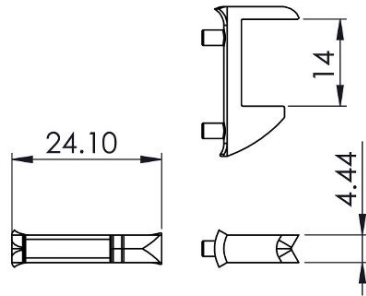
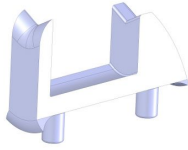
**L15868**

60° internal Polyamide (with fiberglass) moulding for MP12 profile

Color: RAL 7039

Weight: 0.001 Kg

Status: available in warehouse



**B1050-001919** **NEW**

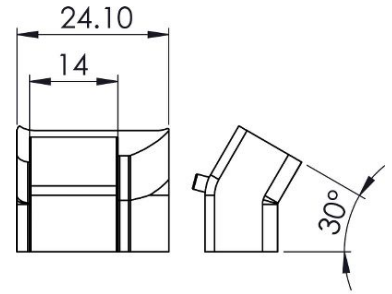
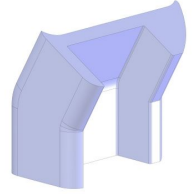
**L15864**

30° internal Polyamide (with fiberglass) moulding for MP12 profile

Color: RAL 7039

Weight: 0.003 Kg

Status: available in warehouse



**B1050-001921** **NEW**

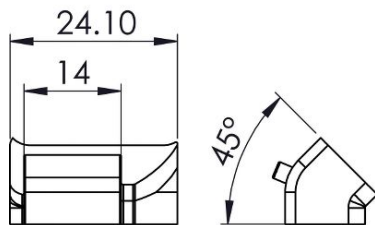
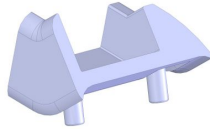
**L15866**

45° internal Polyamide (with fiberglass) moulding for MP12 profile

Color: RAL 7039

Weight: 0.002 Kg

Status: available in warehouse



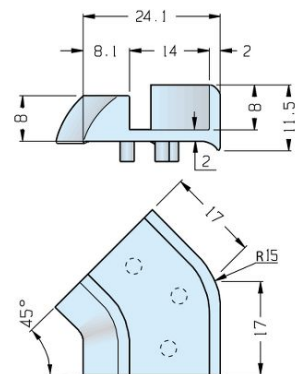
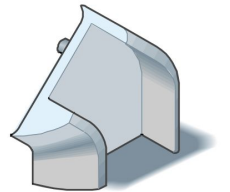
**B1050-000097** **NEW**

**L15823**

45° polyamide (with fiberglass) moulding for Q25 tube coupling

Colour: RAL 7039

Weight: 0.003 Kg



## Mouldings for Q25 couplings with seal

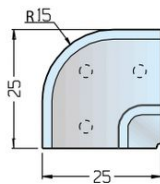
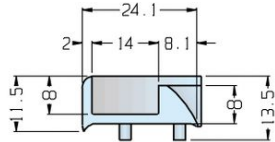
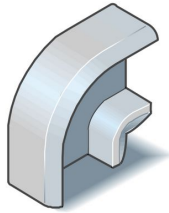
**B1050-001892** NEW

**L15822**

Polyamide (with fiberglass) moulding R15 for coupling (Q25 tube)

Colour: RAL 7039

Weight: 0.003 Kg



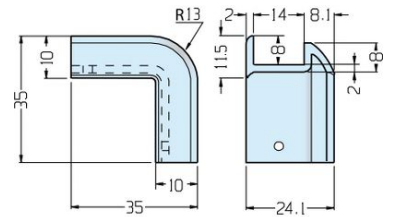
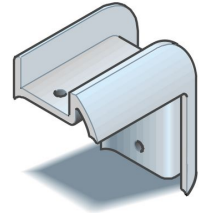
**B1050-001891** NEW

**L15821**

90° polyamide (with fiberglass) moulding for Q25 tube coupling

Colour: RAL 7039

Weight: 0.006 Kg



## Mouldings for Q30 couplings with seal

**B1050-001929** NEW

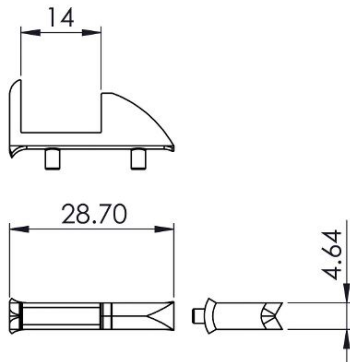
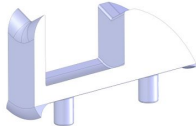
**L15874**

60° internal Polyamide (with fiberglass) moulding for MP16 profile

Color: RAL 7039

Weight: 0.001 Kg

Stato: available in warehouse



**B1050-001925** NEW

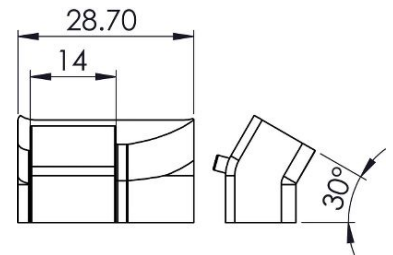
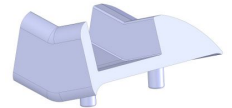
**L15870**

30° internal nylon moulding for MP16 profile

Color: RAL 7039

Weight: 0.004 Kg

Status: available in warehouse



## Mouldings for Q30 couplings with seal

**B1050-001927** **NEW**

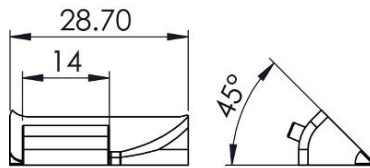
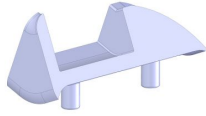
**L15872**

30° internal Polyamide (with fiberglass) moulding for MP16 profile

Color: RAL 7039

Weight: 0.002 Kg

Status: available in warehouse



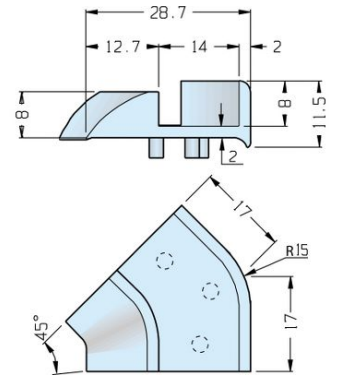
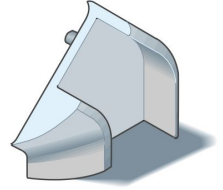
**B1050-001895** **NEW**

**L15828**

45° polyamide (with fiberglass) moulding for Q30 tube coupling

Colour: RAL 7039

Weight: 0.003 Kg



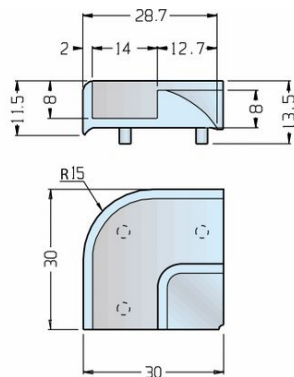
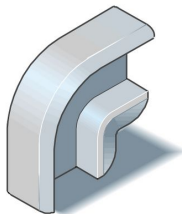
**B1050-001894** **NEW**

**L15827**

Polyamide (with fiberglass) moulding R15 for coupling (Q30 tube)

Colour: RAL 7039

Weight: 0.004 Kg



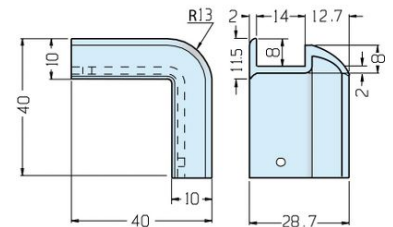
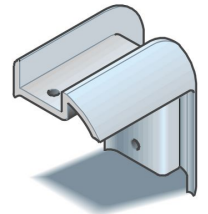
**B1050-001893** **NEW**

**L15826**

90° polyamide (with fiberglass) moulding for Q30 tube coupling

Colour: RAL 7039

Weight: 0.008 Kg



## Mouldings for Q25 couplings without seal

**B1050-001924** **NEW**

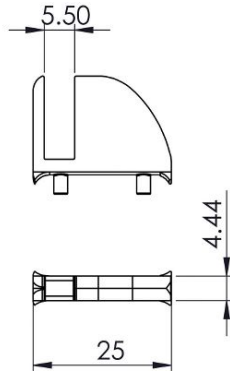
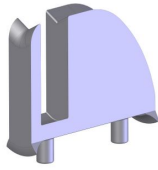
**L15869**

60° internal Polyamide (with fiberglass) moulding for MP40 profile

Color: RAL 7039

Weight: 0.003 Kg

Status: available in warehouse



**B1050-001920** **NEW**

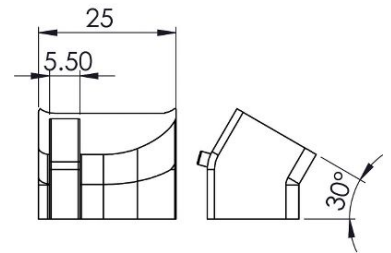
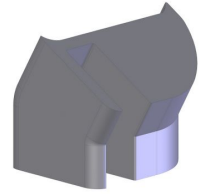
**L15865**

30° internal Polyamide (with fiberglass) moulding for MP40 profile

Color: RAL 7039

Weight: 0.006 Kg

Status: available in warehouse



**B1050-001922** **NEW**

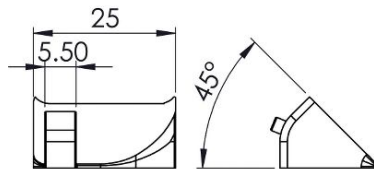
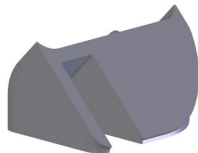
**L15867**

45° internal Polyamide (with fiberglass) moulding for MP40 profile

Color: RAL 7039

Weight: 0.004 Kg

Status: available in warehouse



**B1050-001914** **NEW**

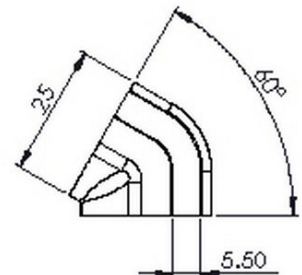
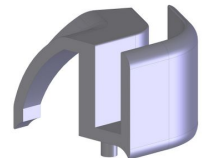
**L15859**

60° Polyamide (with fiberglass) moulding for MP40 profile

Color: RAL 7039

Weight: 0.006 Kg

Status: available in warehouse



## Mouldings for Q25 couplings without seal

**B1050-001912** **NEW**

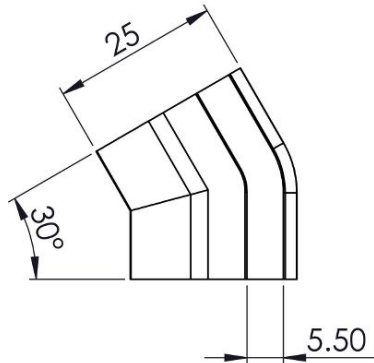
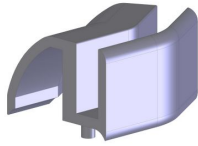
**L15857**

30° Polyamide (with fiberglass)  
moulding for MP40 profile

Color: RAL 7039

Weight: 0.006 Kg

Status: available in warehouse



**B1050-000107** **NEW**

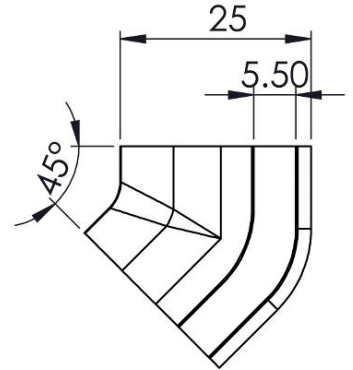
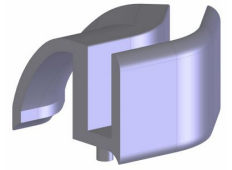
**L15855**

45° Polyamide (with fiberglass)  
moulding for MP40 profile

Color: RAL 7039

Weight: 0.008 Kg

Status: available in warehouse



**B1050-001909** **NEW**

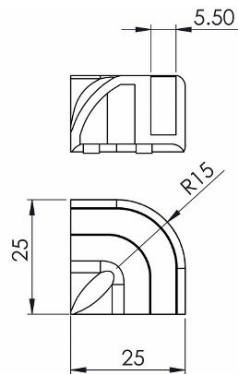
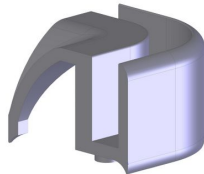
**L15853**

Polyamide (with fiberglass) R15  
moulding for MP40 profile

Color: RAL 7039

Weight: 0.008 Kg

Status: available in warehouse



**B1050-001905** **NEW**

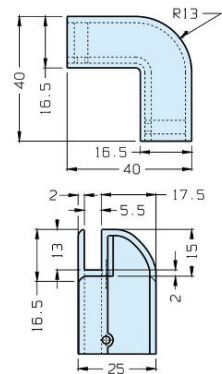
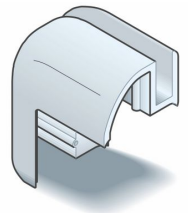
**L15846**

90° Polyamide (with fiberglass)  
moulding for Q25 tube coupling (for  
5mm thick sheets)

Colour: RAL 7039

Weight: 0.009 Kg

Status: available in warehouse





## Mouldings for Q30 couplings without seal

**B1050-001930** **NEW**

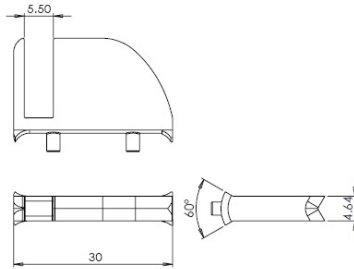
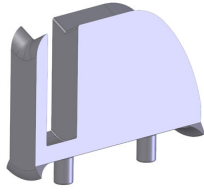
**L15875**

60° internal nylon moulding for MP41 profile

Color: RAL 7039

Weight: 0.004 Kg

Status: available in warehouse



**B1050-001926** **NEW**

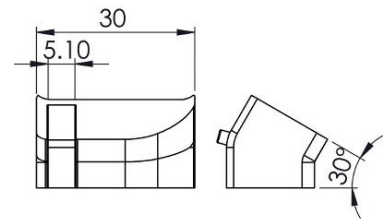
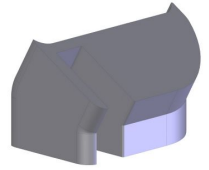
**L15871**

30° internal Polyamide (with fiberglass) moulding for MP41 profile

Color: RAL 7039

Weight: 0.005 Kg

Status: available in warehouse



**B1050-001928** **NEW**

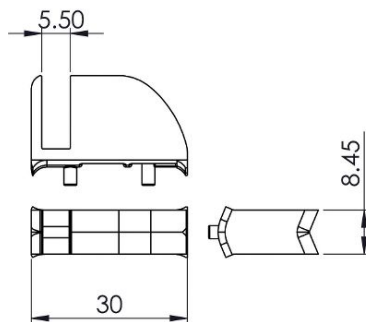
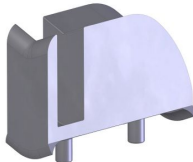
**L15873**

45° internal Polyamide (with fiberglass) moulding for MP41 profile

Color: RAL 7039

Weight: 0.005 Kg

Status: available in warehouse



**B1050-001915** **NEW**

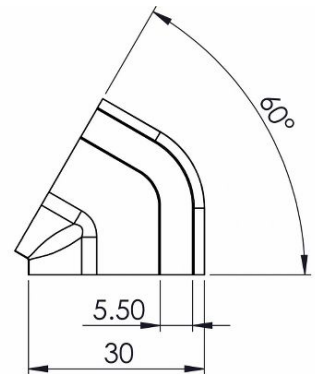
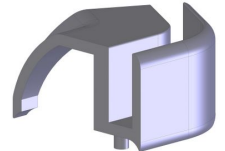
**L15860**

60° Polyamide (with fiberglass) moulding for MP41 profile

Color: RAL 7039

Weight: 0.008 Kg

Status: available in warehouse



## Mouldings for Q30 couplings without seal

**B1050-001913** **NEW**

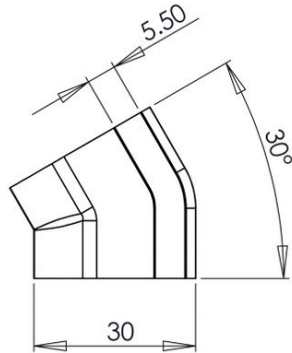
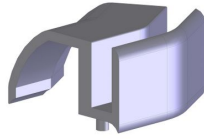
**L15858**

30° Polyamide (with fiberglass)  
moulding for MP41 profile

Color: RAL 7039

Weight: 0.008 Kg

Status: available in warehouse



**B1050-001911** **NEW**

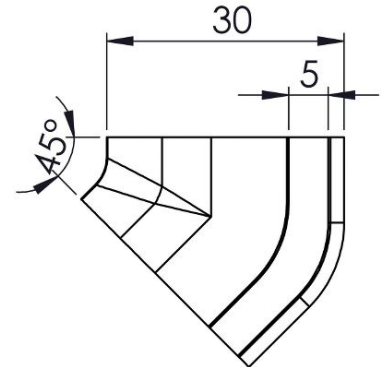
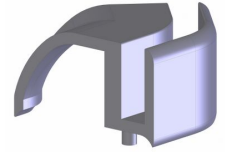
**L15856**

45° Polyamide (with fiberglass)  
moulding form MP41 profile

Color: RAL 7039

Weight: 0.008 kg

Status: available in warehouse



**B1050-001910** **NEW**

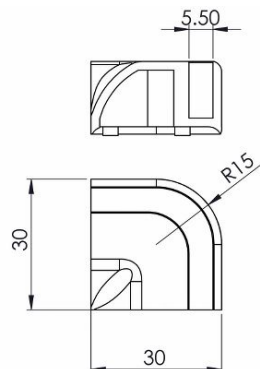
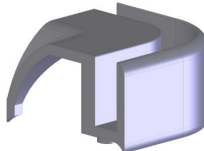
**L15854**

Polyamide (with fiberglass) R15  
moulding for MP41 profile

Color: RAL 7039

Weight: 0.012 Kg

Status: available in warehouse



**B1050-001906** **NEW**

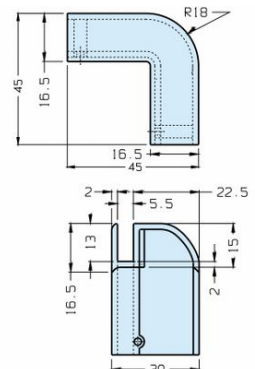
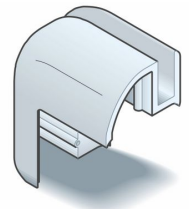
**L15847**

90° Polyamide (with fiberglass)  
moulding for Q30 tube coupling (for  
5mm thick sheets)

Colour: RAL 7039

Weight: 0.012 Kg

Status: available in warehouse



The "Caps" section includes all the components currently manufactured by **Lpm Group** and available in stock.

All components in this section are in RAL 7039 colour like all the polyamide accessories belonging to **Lpm Group** system.

The Polyamide Polymer "6" is reinforced with fiberglass and contains a percentage of elastomer which improves its resistance to deformation, without making it elastic, and avoiding the resulting brittle fracture.

The cap is applied to the profile without using glue, screws or rivets as it should always be possible to inspect it.

*The technical characteristics and sizes of products are indicative as they may vary and be subject to functional changes based on enhancements and production issues, which are the sole responsibility of Lpm Group.*

## **Product technical characteristics**

Structure: partially crystalline thermoplastic material

Reinforcement material: fiberglass

Colour: RAL 7039

Mechanical characteristics:

- High fatigue strength
- Resistance to wear
- Highly shock-resistant
- Good resistance to ageing

Electrical characteristics: good resistance to contact current

Thermal characteristics: VICAT (softening point) 215°C

Resistant to:

- Hydrocarbons
- Petrol
- Oil and grease
- Alkaline solutions in general

Food Compatibility: To be verified depending on applications

Supply conditions: In a package only where indicated on the specific component

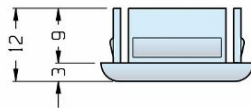
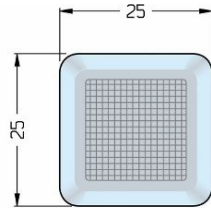
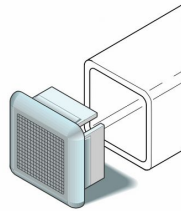
## Caps for profiles Q25

**B1050-000165** **NEW**
**L21111**

Polyamide (with fiberglass) square cap  
for Q25 tube, with rounded edges and  
knurled raised front panel

Colour: RAL 7039

Weight: 0.003 Kg



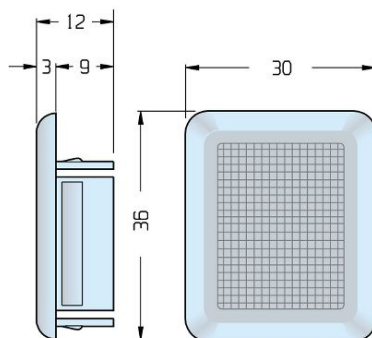
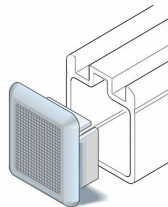
## Caps for profiles Q30

**B1050-001982** **NEW**
**L21115**

Polyamide (with fiberglass) cap  
for A40704 profile, with rounded  
edges and knurled raised front panel

Colour: RAL 7039

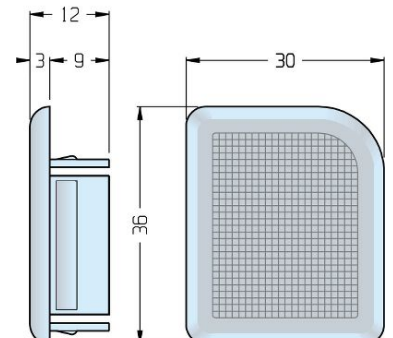
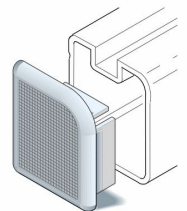
Weight: 0.005 Kg


**B1050-001981** **NEW**
**L21114**

Right-curve polyamide (with fiberglass)  
cap for A40703 profile, with knurled  
raised front panel

Colour: RAL 7039

Weight: 0.005 Kg



## Caps for profiles Q30

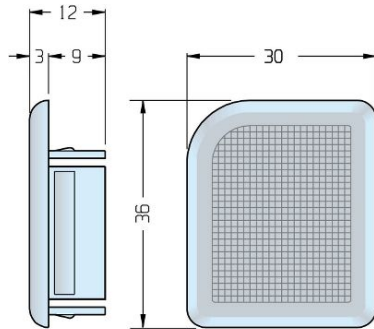
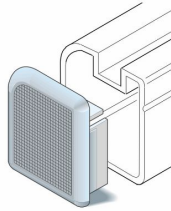
**B1050-001980** NEW

**L21113**

Left-curve polyamide (with fiberglass) cap for A40703 profile, with knurled raised front panel

Colour: RAL 7039

Weight: 0.005 Kg



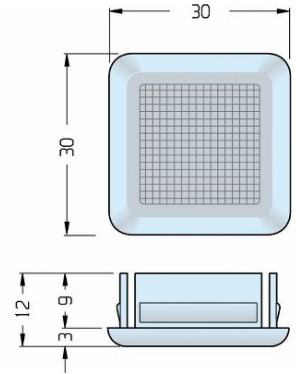
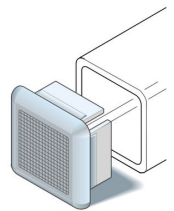
**B1050-000166** NEW

**L21112**

Polyamide (with fiberglass) square cap for Q30 tube, with rounded edges and knurled raised front panel

Colour: RAL 7039

Weight: 0.004 Kg



## Caps for special profiles

**B1050-001988** NEW

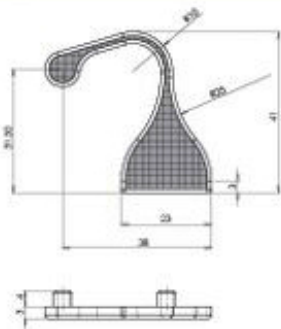
**L21125**

Left Cap for MP98 profile, code A40778

Material: Polyamide (with fiberglass) with knurled raised front panel

Colour: RAL 7039

Weight: Kg



**B1050-001987** NEW

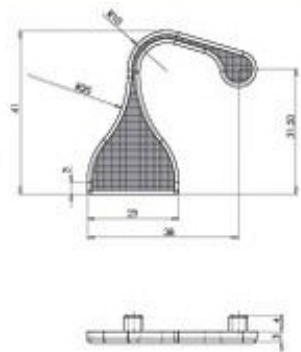
**L21124**

Right Cap for MP98 profile, code A40778

Material: Polyamide (with fiberglass) with knurled raised front panel

Colour: RAL 7039

Weight: Kg



## Caps for special profiles

**B1050-001986** **NEW**

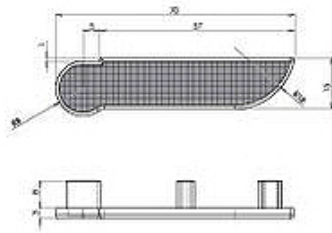
**L21123**

Right Cap for MP97 profile, code A40777

Material: Polyamide (with fiberglass) with knurled raised front panel

Colour: RAL 7039

Weight: Kg



**B1050-001985** **NEW**

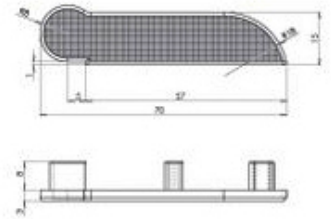
**L21122**

Left Cap for MP97 profile, code A40777

Material: Polyamide (with fiberglass) with knurled raised front panel

Colour: RAL 7039

Weight: Kg



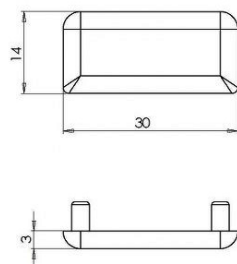
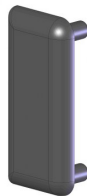
**B1050-001984** **NEW**

**L21121**

Polyamide (with fiberglass) rectangular cap for special profile A40766 (MP75), with rounded edges and knurled raised front panel

Colour: RAL 7039

Weight: 0.004 Kg



**B1050-000167** **NEW**

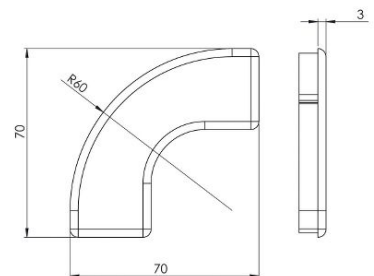
**L21120**

Cap for MP74 profile

Color: RAL 7039

Weight: 0.020 Kg

Status: available in warehouse



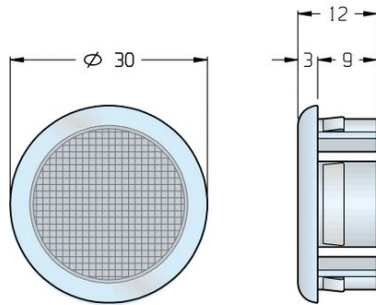
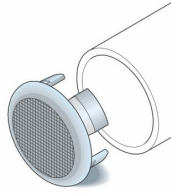
## Caps for special profiles

**B1050-001983** **NEW****L21116**

Polyamide (with fiberglass) cap for 30  
dia. tubular profile, with knurled raised  
front panel

Colour: RAL 7039

Weight: 0.003 Kg



# ARTICULATED FEET

*The technical characteristics and sizes of products are indicative as they may vary and be subject to functional changes based on enhancements and production issues, which are the sole responsibility of Lpm Group.*

## **Product technical characteristics**

Material:

- Support base: polyamide
- Galvanised steel threaded rod, articulated at the base.

Reinforcement material: fiberglass

Base colour: black

Mechanical characteristics:

- Fatigue strength
- Resistance to wear
- Highly shock-resistant

Capacity: 1000 Kg

Use: when fitting to square tubes it is essential to use the special internally threaded bushings, which are pressed into place.

Max. static load for the foot: 5,500 N



# Feet

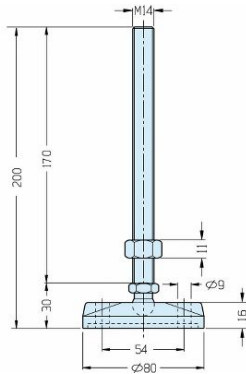
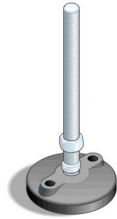
**B1050-001229** **NEW**

**F21807**

Articulated foot that can be fixed to the floor

Colour: black base

Weight: 0.240 Kg



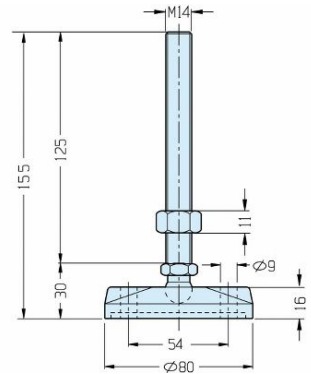
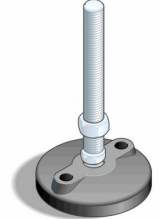
**B1050-001227** **NEW**

**F21805**

Articulated foot that can be fixed to the floor

Colour: black base

Weight: 0.210 Kg



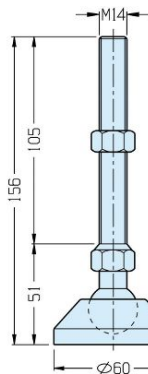
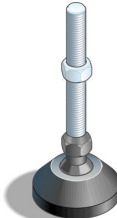
**B1050-001226** **NEW**

**F21804**

Articulated foot

Colour: black base

Weight: 0.200 Kg



## Foot assembling accessories

**B1010-144811** **NEW**

**N25504**

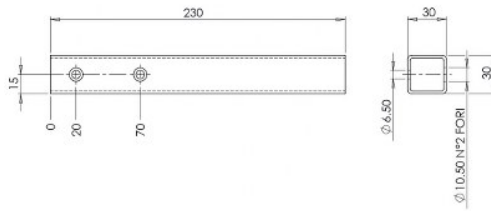
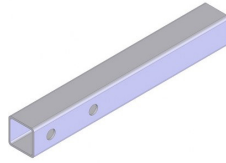
Vertical foot support in tubular

Material: Aluminium

Color: Silver grey

Weight: Not available

State of component: located in warehouse



**B1010-144808** **NEW**

**N25501**

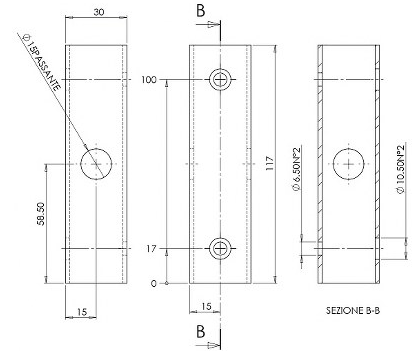
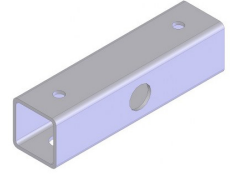
Horizontal foot support in tubular

Material: Aluminium

Color: Silver grey

Weight: Not available

State of component: located in warehouse



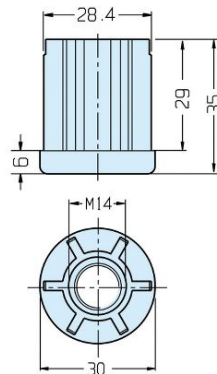
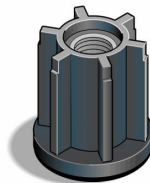
**B1050-001253** **NEW**

**F21852**

D 30 tube foot bushing

Colour: black

Weight: 0.039 Kg



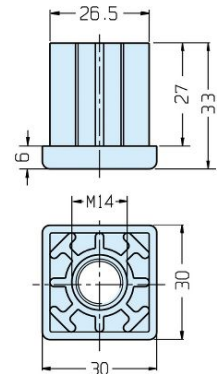
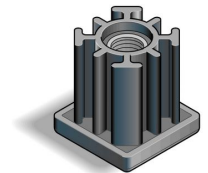
**B1050-001252** **NEW**

**F21851**

Q30 tube foot bushing

Colour: black

Weight: 0.045 Kg



# SUPPORTS

The "Supports" section includes all the components currently manufactured by **Lpm Group** and available in stock.

All components in this section are in RAL 7039 colour like all the polyamide accessories belonging to **Lpm Group** system. In this case however, as an exception, supports code L15137 and L15131 are made of Amorphous Polyamide "11", because of component use and great aesthetic impact.

The Polyamide Polymer "6" is reinforced with fiberglass and contains a percentage of elastomer which improves its resistance to deformation, without making it elastic, and avoiding the resulting brittle fracture.

*The technical characteristics and sizes of products are indicative as they may vary and be subject to functional changes based on enhancements and production issues, which are the sole responsibility of Lpm Group.*

## **Product technical characteristics**

Structure: partially crystalline thermoplastic material

Reinforcement material: fiberglass

Colour:

- RAL 7039
- Code L15137 and Code L15131: Transparent

Mechanical characteristics:

- Resistance to wear
- Highly shock-resistant
- Good resistance to ageing

Electrical characteristics: good resistance to contact current

Thermal characteristics: VICAT (softening point) 215°C

Resistant to:

- Hydrocarbons
- Petrol
- Oil and grease
- Alkaline solutions in general

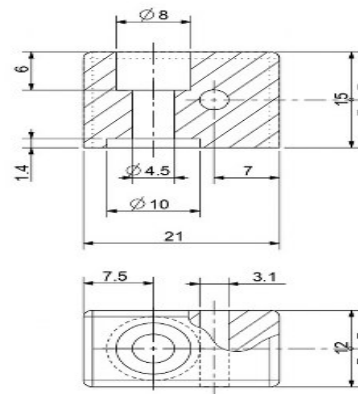
Food Compatibility: To be verified depending on applications

Supply conditions: In a package only where indicated on the specific component

## ■ Trasparent glass fiber block for removable panel

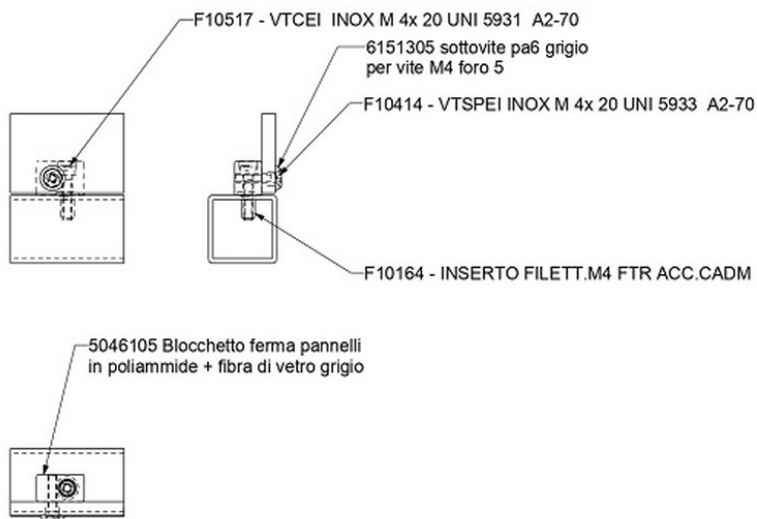
**B1010-000147** **NEW**

**5046105T**



Fixed/removable sheet Trogamid support  
 Dimension: 18x12x15mm  
 Weight: 0.025 Kg  
 Finish: Trasparent

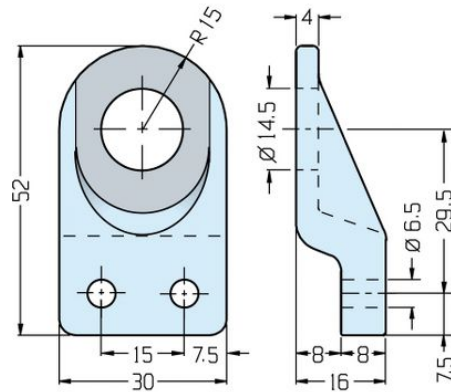
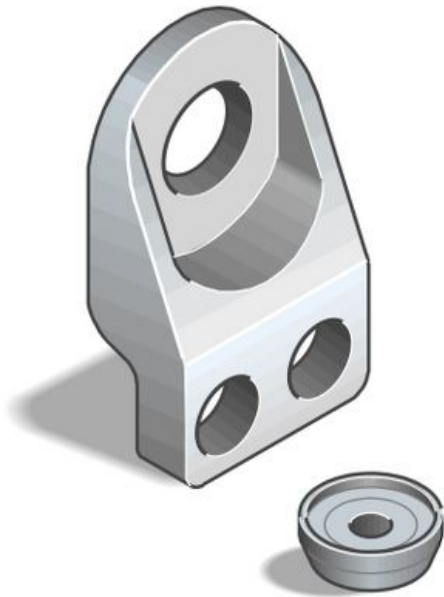
### Assembly example



# Magnet support D14

**B1050-001961** NEW

**L19162**



Magnet support D14 complete with magnetic striker

Weight: 0.014 kg

Finish: colour RAL 7039

## Parts



Cod. **F10166**  
B1080-001067 **NEW**  
M6 threaded insert



Cod. **F10538**  
B1080-000445 **NEW**  
Stainless steel socket  
head cap screw M6x20  
T=4



Cod. **F10164**  
B1080-001065 **NEW**  
M4 threaded insert

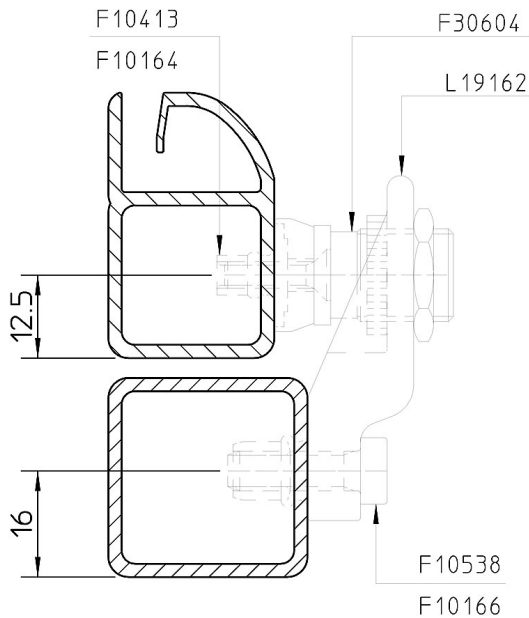


Cod. **F10413**  
B1080-001124 **NEW**  
Stainless steel  
countersunk socket  
screw M4x16



Cod. **F30604**  
B1050-000812 **NEW**  
Magnet complete with  
counter-magnet and  
ring nuts

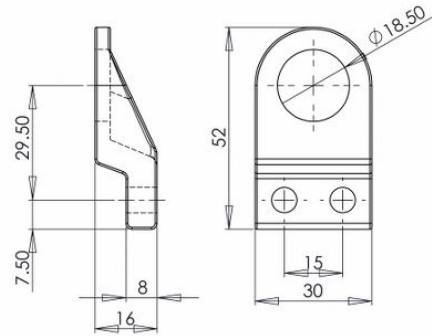
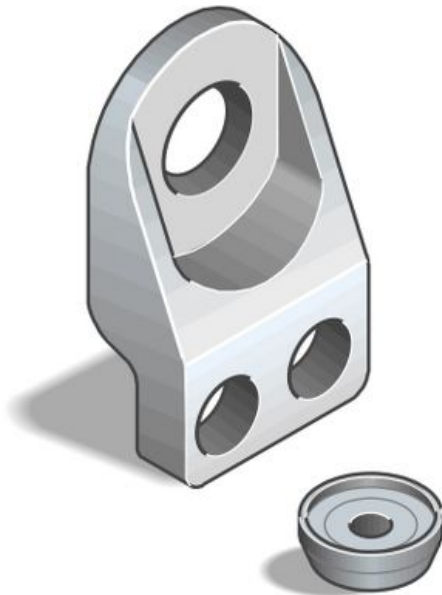
## Assembly example



# Magnet support D18

**B1050-000163 NEW**

**L19168**



**Magnet support D18 complete with magnetic striker**  
**Weight: 0.013 kg**  
**Finish: colour RAL 7039**

## Parts



Cod. **F10166**  
 B1080-001067 **NEW**  
 M6 threaded insert



Cod. **F10538**  
 B1080-000445 **NEW**  
 Stainless steel socket head cap screw M6x20 T=4



Cod. **F10164**  
 B1080-001065 **NEW**  
 M4 threaded insert

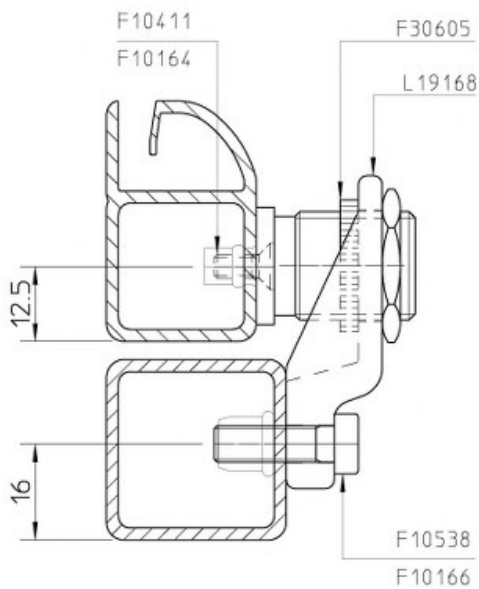


Cod. **F10413**  
 B1080-001124 **NEW**  
 Stainless steel countersunk socket screw M4x16



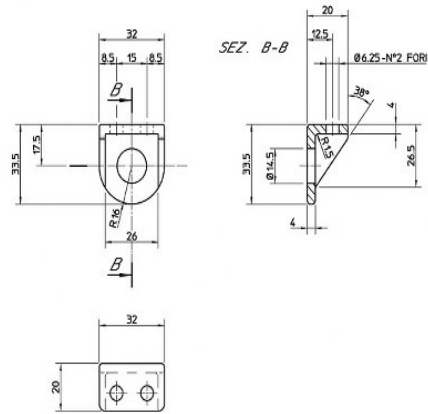
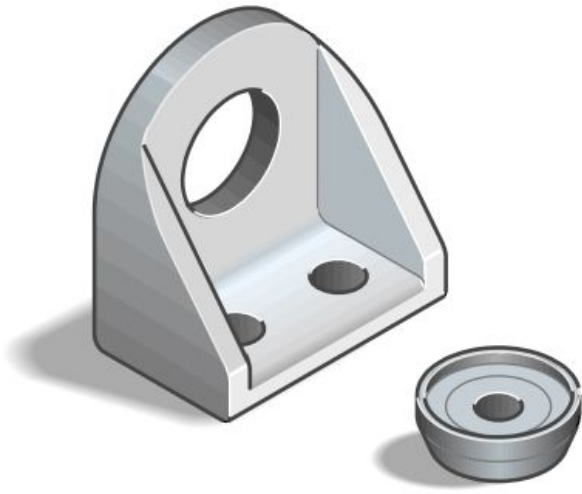
Cod. **F30605**  
 B1050-000813 **NEW**  
 Magnet complete with counter-magnet and ring nuts

## Assembly example



# Magnet support D14, 90°

**B1050-001964 NEW** **L19165**



Magnet support D14, 90°, complete with magnetic striker  
 Weight: 0.009 kg  
 Finish: colour RAL 7039

## Parts



Cod. **F10166**  
 B1080-001067 **NEW**  
 M6 threaded insert



Cod. **F10538**  
 B1080-000445 **NEW**  
 Stainless steel socket  
 head cap screw M6x20  
 T=4



Cod. **F10164**  
 B1080-001065 **NEW**  
 M4 threaded insert

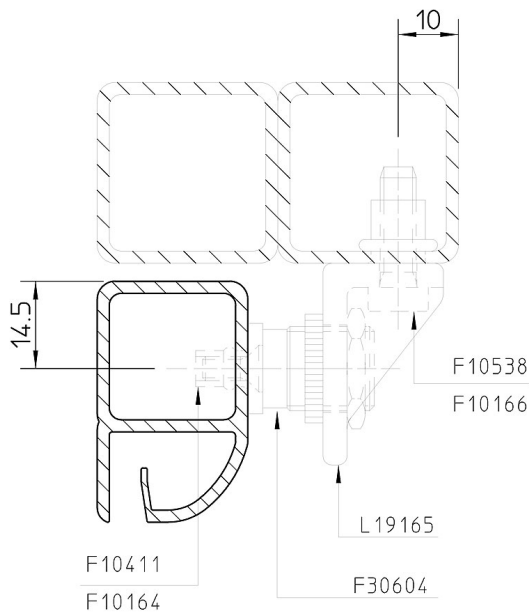


Cod. **F10413**  
 B1080-001124 **NEW**  
 Stainless steel  
 countersunk socket  
 screw M4x16



Cod. **F30604**  
 B1050-000812 **NEW**  
 Magnet complete with  
 counter-magnet and  
 ring nuts

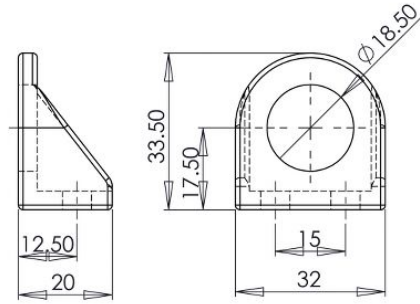
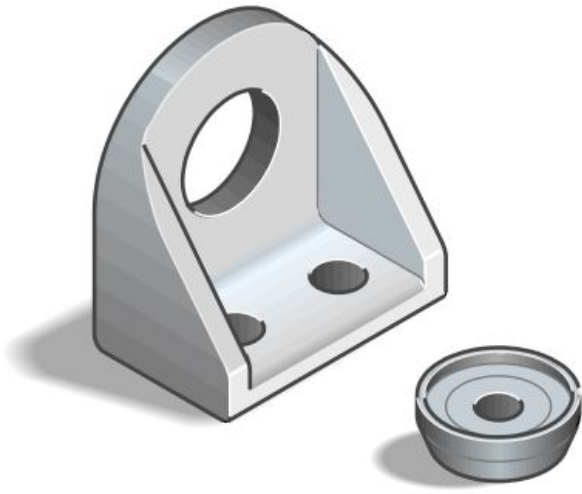
## Assembly example



# Magnet support D18, 90°

**B1050-001968** NEW

**L19169**



Magnet support D18, 90°, complete with magnetic striker  
 Weight: 0.008 kg  
 Finishing: colour RAL 7039

## Parts



Cod. **F10166**  
 B1080-001067 **NEW**  
 M6 threaded insert



Cod. **F10538**  
 B1080-000445 **NEW**  
 Stainless steel socket  
 head cap screw M6x20  
 T=4



Cod. **F10164**  
 B1080-001065 **NEW**  
 M4 threaded insert

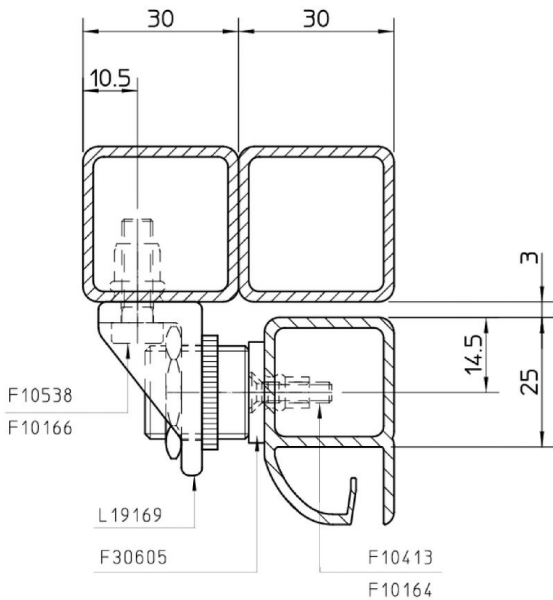


Cod. **F10413**  
 B1080-001124 **NEW**  
 Stainless steel  
 countersunk socket  
 screw M4x16



Cod. **F30605**  
 B1050-000813 **NEW**  
 Magnet complete with  
 counter-magnet and  
 ring nuts

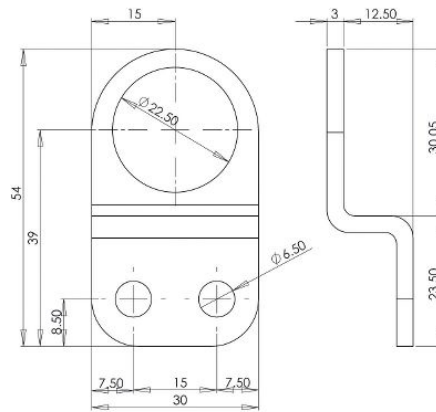
## Assembly example





# Stainless steel magnet support D22

**B1010-093812 NEW 1C0200250034**



Stainless steel magnet support D22

## Parts



Cod. **F10166**  
B1080-001067 **NEW**  
M6 threaded insert

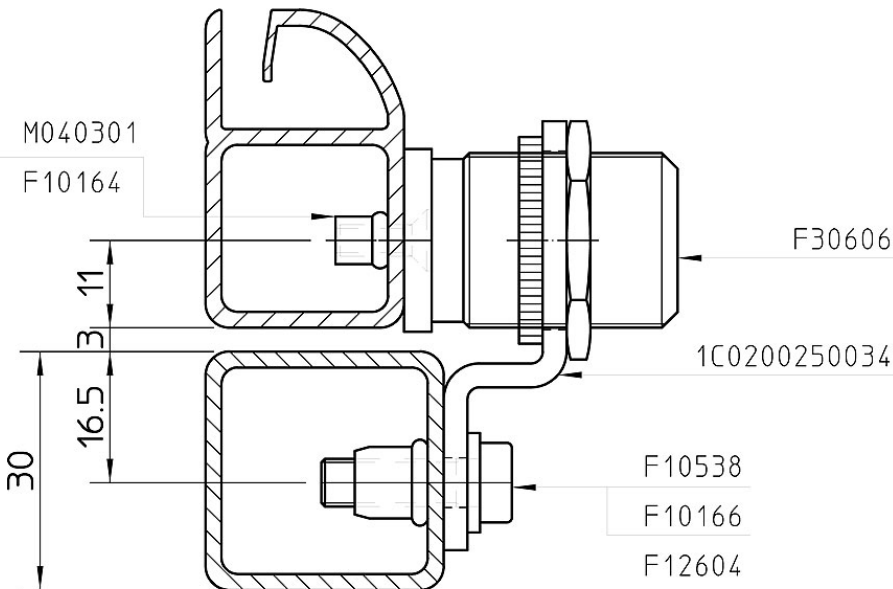


Cod. **F10538**  
B1080-000445 **NEW**  
Stainless steel socket  
head cap screw M6x20  
T=4



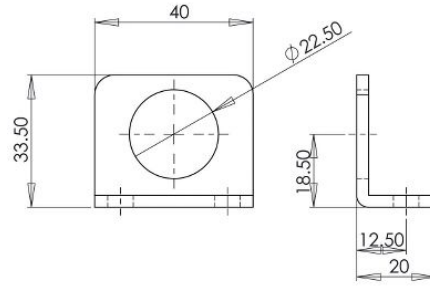
Cod. **F30606**  
B1050-000815 **NEW**  
Magnet complete with  
counter-magnet and  
ring nuts

## Assembly example



# Stainless steel magnet support D22, 90°

**B1010-093817 NEW 1C0200250105**



Stainless steel magnet support D22, 90°

## Parts



Cod. **F10166**  
B1080-001067 **NEW**  
M6 threaded insert

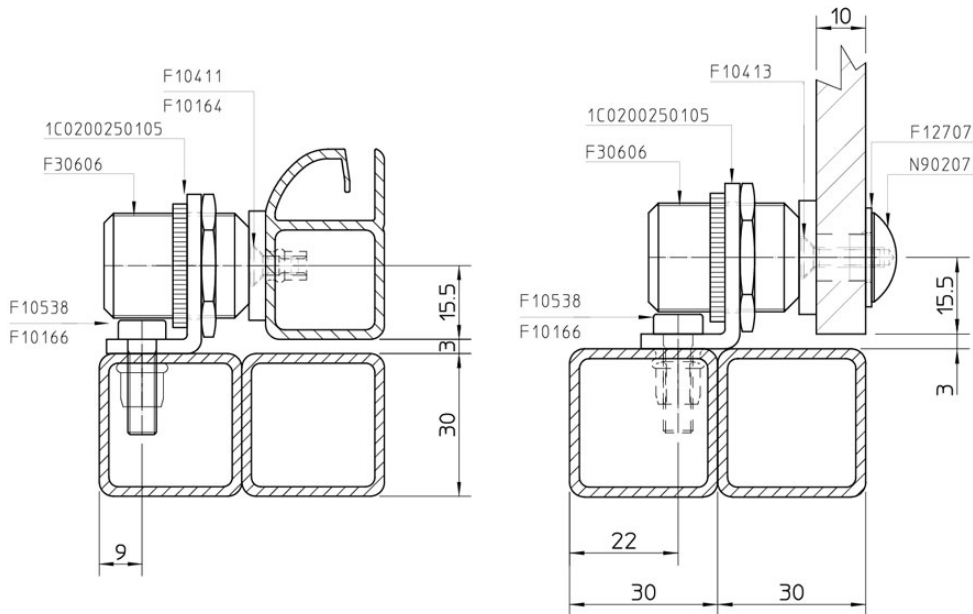


Cod. **F10538**  
B1080-000445 **NEW**  
Stainless steel socket head cap screw M6x20 T=4



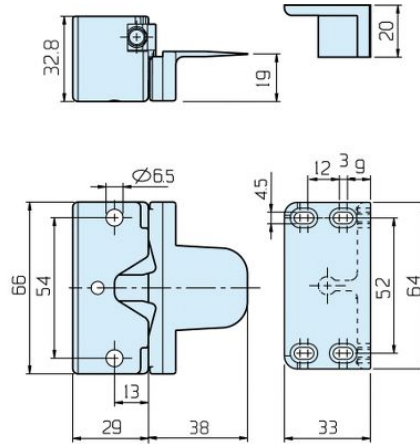
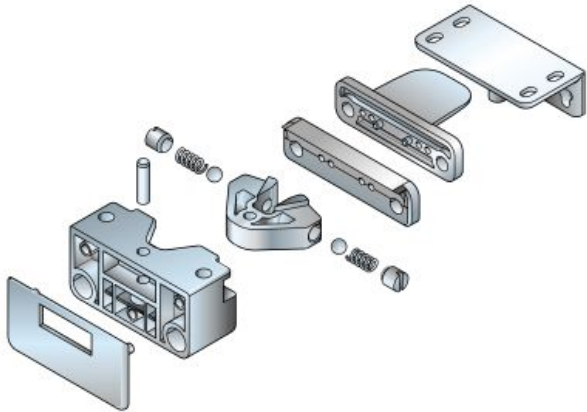
Cod. **F30606**  
B1050-000815 **NEW**  
Magnet complete with counter-magnet and ring nuts

## Assembly example



# Adjustable snap closing for sliding door

**B1050-001969 NEW L19170**



Adjustable snap closing for sliding door  
Finish: colour RAL 7039

## Parts



Cod. **F10164**  
B1080-001065 **NEW**  
M4 threaded insert



Cod. **F10536**  
B1080-000446 **NEW**  
Stainless steel socket  
head cap screw M6x25



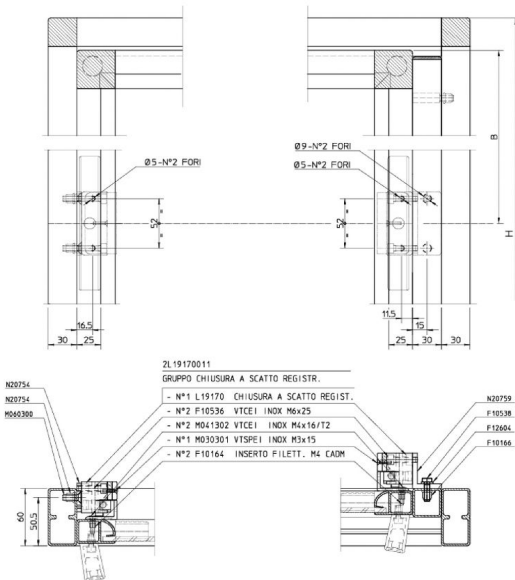
Cod. **M030301**  
Stainless steel  
countersunk socket  
screw M3x15



Cod. **M041302**  
Stainless steel  
socket head cap  
screw M4x16 T=2

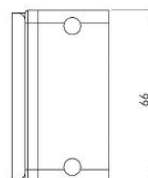
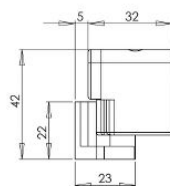
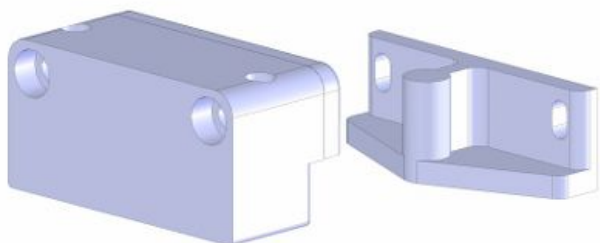
## Assembly example

### SCORREVOLE A 2 ANTE



# Adjustable snap closing for door

**B1050-000790** **NEW** **L19171**



Adjustable snap closing for door  
Finish: colour RAL 7039

## Parts



Cod. **F10164**  
B1080-001065 **NEW**  
M4 threaded insert



Cod. **F10166**  
B1080-001067 **NEW**  
M6 threaded insert



Cod. **F10541**  
B1080-001175 **NEW**  
Stainless steel socket  
head cap screw M6x40



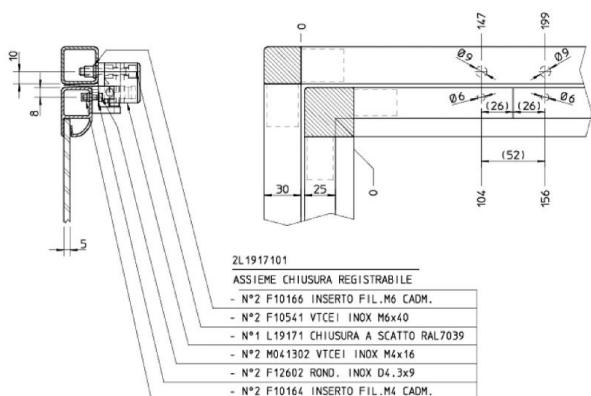
Cod. **F12602**  
B1080-001276 **NEW**  
Stainless steel washer  
D4.3x9



Cod. **M041302**  
Stainless steel  
socket head cap  
screw M4x16 T=2

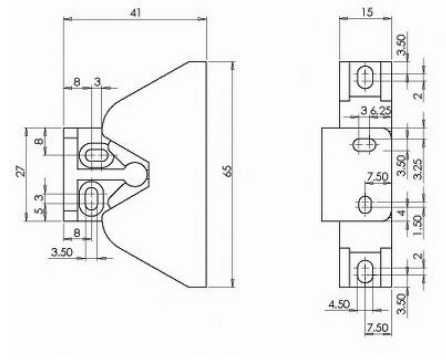
## Assembly example

- Montaggio CHIUSURA A SCATTO 1 ANTA S/G



# Spring catch

**B1050-001335 NEW F30302**



**Spring catch**  
**Weight: 0.021 kg**  
**Finish: RAL7039 colour**

## Parts



Cod. **F10164**  
 B1080-001065 **NEW**  
 M4 threaded insert



Cod. **F10405**  
 B1080-000636 **NEW**  
 Stainless steel countersunk socket screw M3x12



Cod. **F10511**  
 B1080-000411 **NEW**  
 Stainless steel socket head cap screw M4x10

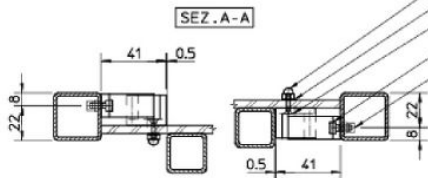
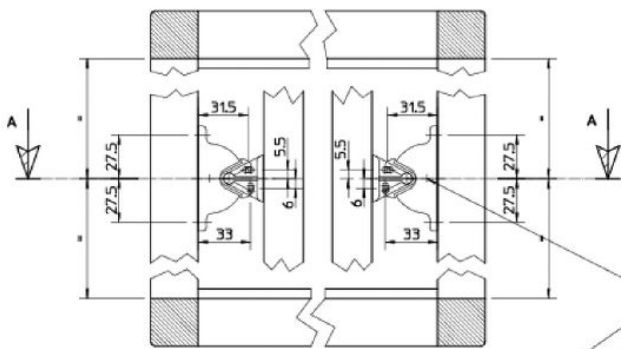


Cod. **F11702**  
 B1080-001267 **NEW**  
 Stainless steel blind nut M3



Cod. **F12601**  
 B1080-001275 **NEW**  
 Stainless steel washer D3.2x7

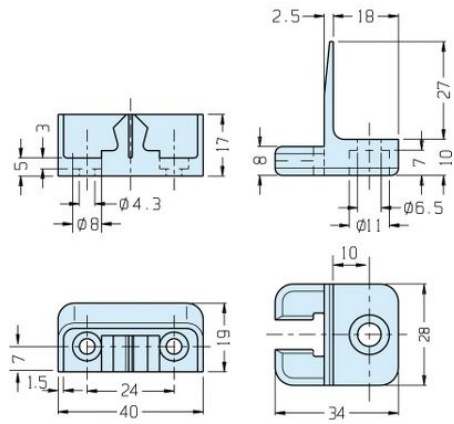
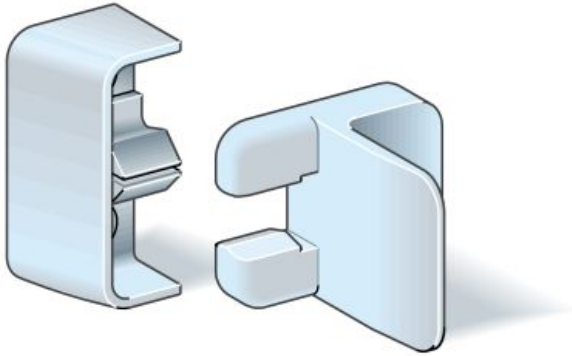
## Assembly example



- 2F3030201  
 INS. MOSCHETT. A SCATTO MONT/LASTRA
- N°1 F30302 MOSCHETT. A SCATTO ART. 1504-FB
  - N°2 F11702 DADO CIECO INOX M 3 UNI 5721
  - N°2 F12601 ROND. INOX D. 3.2x 7 UNI 6592 (a)
  - N°2 F10405 VTSPEI INOX M 3x 12 UNI 5933
  - N°2 F10511 VTCEI INOX M 4x 10 UNI 5931
  - N°2 F10164 INSERTO FILETT. M4 FTR ACC. CADM

# Snap closing

**B1050-001965 NEW** **L19166**



**Polyamide snap closing**  
**Weight: 0.020 kg**  
**Finish: colour RAL 7039**

## Parts



Cod. **F10164**  
 B1080-001065 **NEW**  
 M4 threaded insert



Cod. **F10166**  
 B1080-001067 **NEW**  
 M6 threaded insert

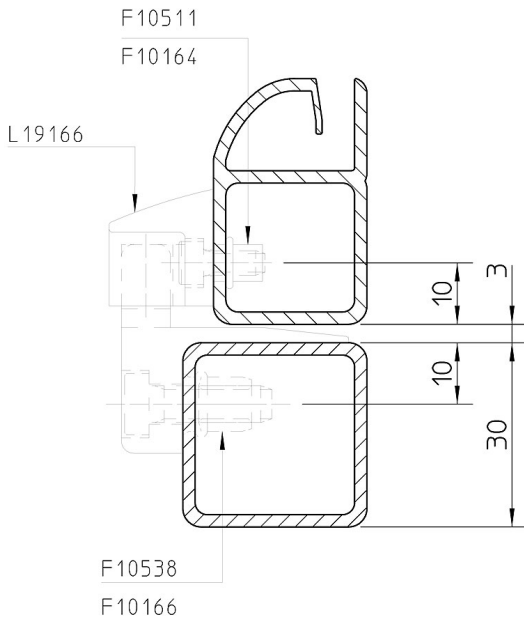


Cod. **F10538**  
 B1080-000445 **NEW**  
 Stainless steel socket  
 head cap screw M6x20  
 T=4



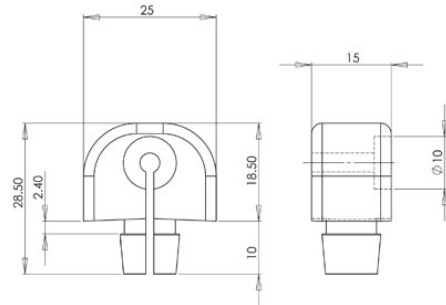
Cod. **F10511**  
 B1080-000411 **NEW**  
 Stainless steel socket  
 head cap screw M4x10

## Assembly example



# Fixed/removable sheet support

**B1050-000154 NEW** **L15137**



Fixed/removable sheet polyamide (amorphous) support  
 Weight: 0.005 Kg  
 Finish: transparent

## Parts



Cod. F12749  
 B1080-001296 **NEW**  
 D5/13 neutral screw  
 under-support



Cod. F10386  
 B1080-001116 **NEW**  
 Cheese-headed screw  
 4.8 x 19.1



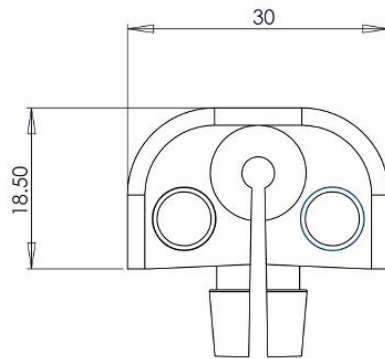
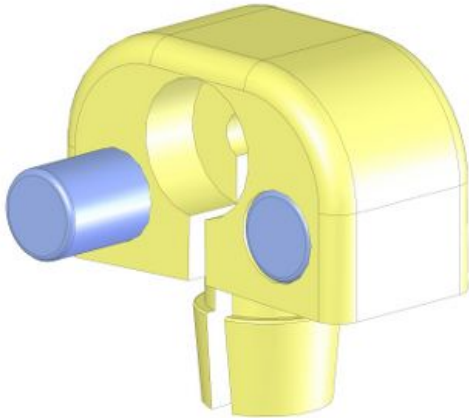
Cod. F12753  
 B1080-001299 **NEW**  
 Washer to make  
 captive screw F10386

## Assembly example

Montaggio SUPPORTO FISSO ASPORTABILE H/18 POLIAMMIDE					
PROFILO Q30	PROFILO Q25				
<p><b>2L1513701</b> LASTRE SP. 5 - 6 - 8</p> <p>2L1513701                      SUPPORTO FISSO ASPORTABILE                      - N°1 L15137 SUPPORTO FISSO ASP. H=18                      - N°1 F12753 RONDELLA PER VITE IMPERDIBILE (011)                      - N°1 F12749 SOTTOVITE NEUTRA Ø15xØ13                      - N°1 F10386 VTC 4.8x19.1 INOX</p>	<p><b>2L1513701</b> LASTRE SP. 5 - 6 - 8</p> <p>2L1513701                      SUPPORTO FISSO ASPORTABILE                      - N°1 L15137 SUPPORTO FISSO ASP. H=18                      - N°1 F12753 RONDELLA PER VITE IMPERDIBILE (011)                      - N°1 F12749 SOTTOVITE NEUTRA Ø15xØ13                      - N°1 F10386 VTC 4.8x19.1 INOX</p>				
<p><b>2L1513702</b> LASTRE SP. 10</p> <p>2L1513702                      SUPPORTO FISSO ASPORTABILE                      - N°1 L15137 SUPPORTO FISSO ASP. H=18                      - N°1 F12753 RONDELLA PER VITE IMPERDIBILE (011)                      - N°1 F12749 SOTTOVITE NEUTRA Ø15xØ13                      - N°1 F10387 VTC 4.8x22.2 INOX</p>	<p><b>2L1513702</b> LASTRE SP. 10</p> <p>2L1513702                      SUPPORTO FISSO ASPORTABILE                      - N°1 L15137 SUPPORTO FISSO ASP. H=18                      - N°1 F12753 RONDELLA PER VITE IMPERDIBILE (011)                      - N°1 F12749 SOTTOVITE NEUTRA Ø15xØ13                      - N°1 F10387 VTC 4.8x22.2 INOX</p>				
<p>MONTAGGIO LASTRA PER FIS.ASP. ...nrq1005_01</p>					
<table border="1"> <tr> <td>MILPASS</td> <td>nrq1005_04_00</td> </tr> <tr> <td>2022-02-28</td> <td>2022-06-01</td> </tr> </table>		MILPASS	nrq1005_04_00	2022-02-28	2022-06-01
MILPASS	nrq1005_04_00				
2022-02-28	2022-06-01				

# Fixed/removable sheet support with ejector

**B1050-001794 NEW** **L15138**



Fixed/removable sheet polyamide (amorphous) support with ejector  
 Finishing: trasparente  
 Weight: 0,009 Kg

## Parts



Cod. F12749  
 B1080-001296 NEW  
 D5/13 neutral screw  
 under-support



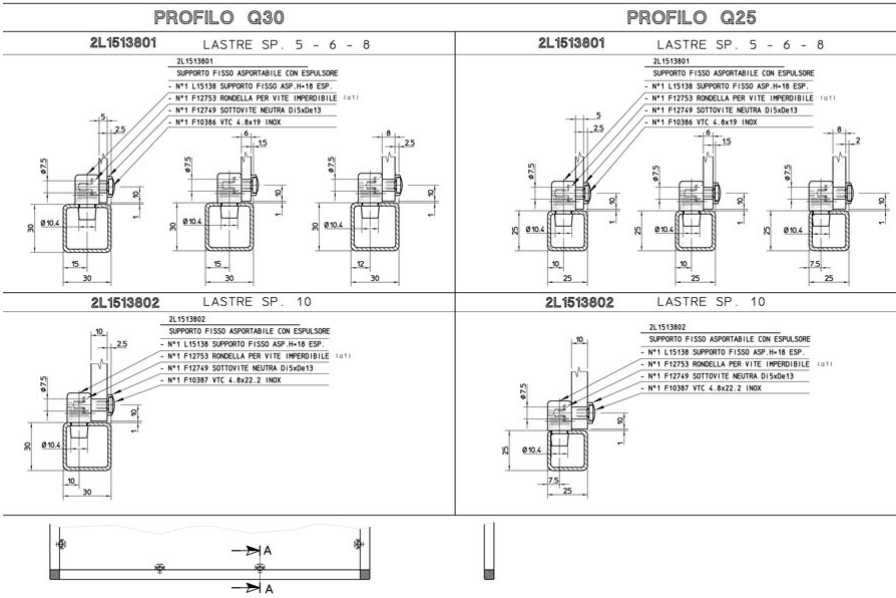
Cod. F10386  
 B1080-001116 NEW  
 Cheese-headed screw  
 4.8 x 19.1



Cod. F12753  
 B1080-001299 NEW  
 Washer to make  
 captive screw F10386

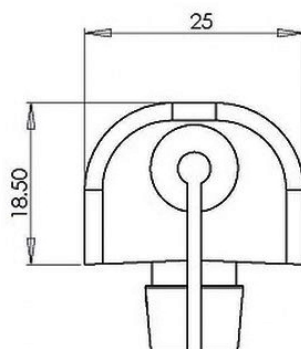
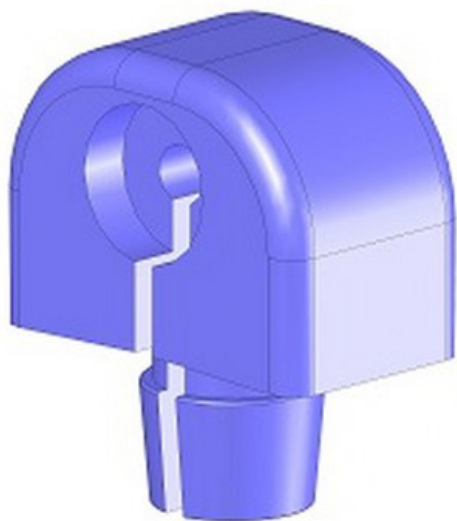
## Assembly example

Montaggio SUPPORTO FISSO ASPORTABILE CON ESPULSORE H/18 POLIAMMIDE





# ■ Detectable Fixed/removable sheet support

**B1050-001793** **NEW**
**L15137B**


Fixed/removable sheet polyamide (amorphous) support

Weight: 0.005 Kg

Finish: Light blue / Grey colored

Delivery condition: Available upon request. Delivery to be agreed upon.

## Parts



Cod. **F12749B**  
B1080-001297 **NEW**  
Detectable D5/13  
neutral screw  
under-support



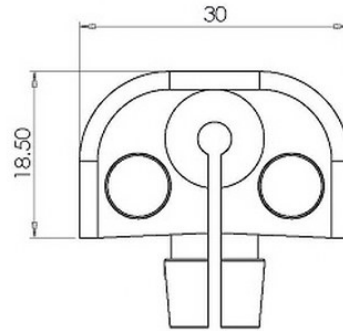
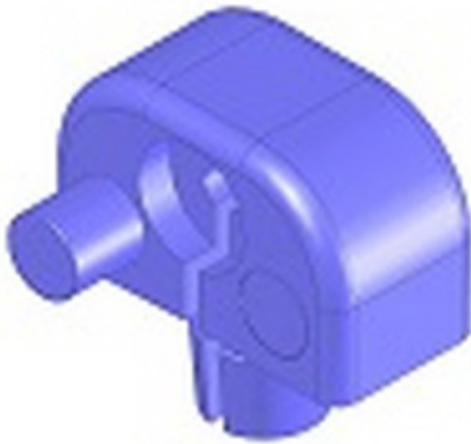
Cod. **F10386**  
B1080-001116 **NEW**  
Cheese-headed screw  
4.8 x 19.1



Cod. **F12753B**  
B1080-001300 **NEW**  
Detectable washer to  
make captive screw  
F10386

# ■ Detectable fixed/removable sheet support with ejector

**B1050-001795** **NEW** **L15138B**



Fixed/removable sheet polyamide (amorphous) support with ejector

Finishing: Light Blue / Grey colored

Weight: 0,009 Kg

Delivery condition: Available upon request. Delivery to be agreed upon.

## Parts



Cod. F12749B  
B1080-001297 **NEW**  
Detectable D5/13  
neutral screw  
under-support



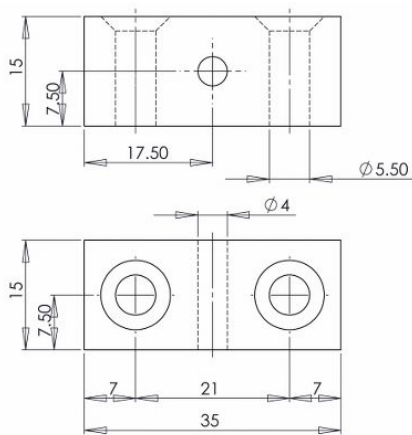
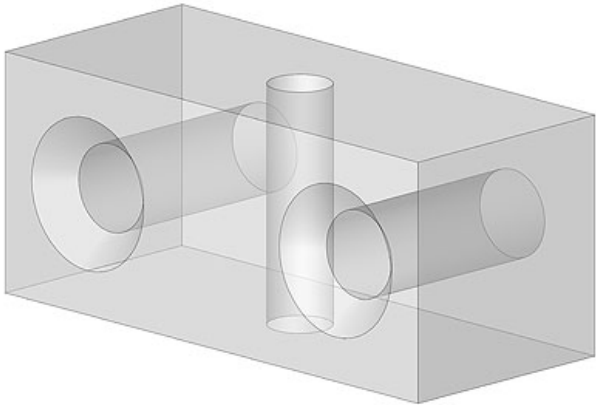
Cod. F10386  
B1080-001116 **NEW**  
Cheese-headed screw  
4.8 x 19.1



Cod. F12753B  
B1080-001300 **NEW**  
Detectable washer to  
make captive screw  
F10386

# Fixed/removable sheet polycarbonate support

**B1050-000152 NEW L15131**



**Fixed/removable sheet polycarbonate support**  
**Dimension: 15x15x35mm**  
**Weight: 0.025 Kg**  
**Finish: transparent**

### Parts



Cod. **F11704**  
 B1080-001269 **NEW**  
 Stainless steel blind  
 nut M5



Cod. **F12603**  
 B1080-001277 **NEW**  
 Stainless steel washer  
 D5.3x10

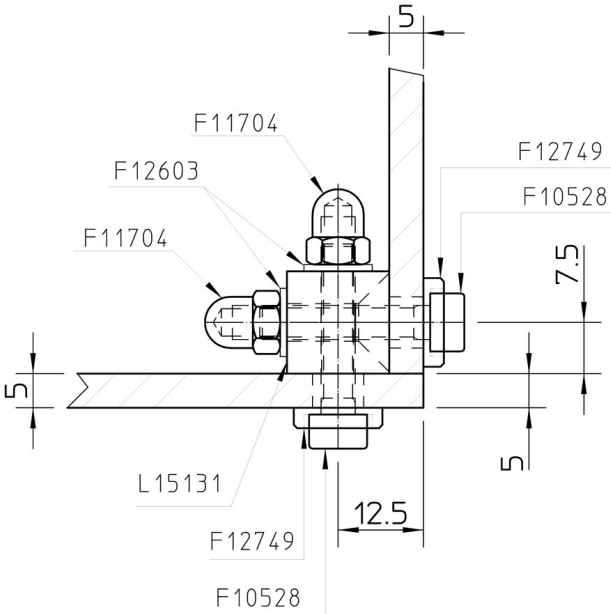


Cod. **F12749**  
 B1080-001296 **NEW**  
 D5/13 neutral screw  
 under-support



Cod. **F10528**  
 B1080-001169 **NEW**  
 Stainless steel socket  
 head screw VTCEI  
 M5x25

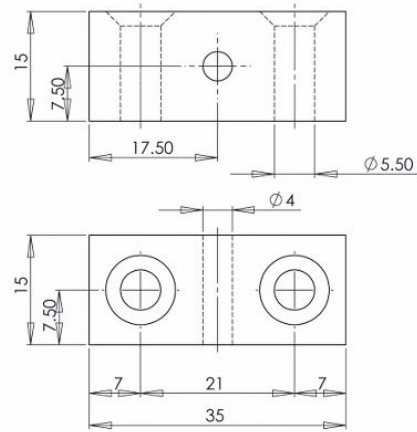
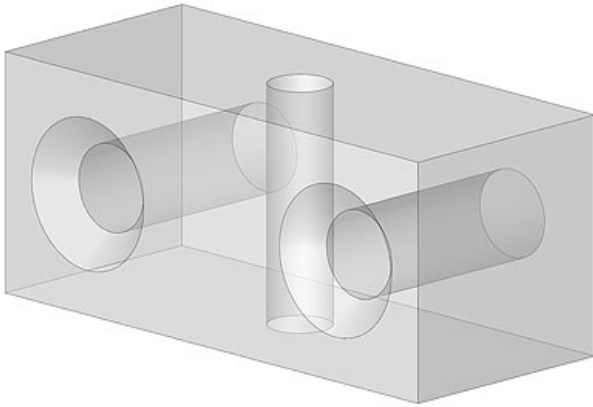
### Assembly example



# Fixed/removable sheet polyamide support

**B1050-000153** **NEW**

**L15131A**



Fixed/removable sheet polyamide support

Dimension: 15x15x35mm

Weight: 0.025 Kg

Finish: Colored RAL7039

Status: Not available in warehouse. Minimum order 2000 pieces

## Parts



Cod. F11704  
B1080-001269 **NEW**  
Stainless steel blind  
nut M5



Cod. F12603  
B1080-001277 **NEW**  
Stainless steel washer  
D5.3x10



Cod. F12749  
B1080-001296 **NEW**  
D5/13 neutral screw  
under-support

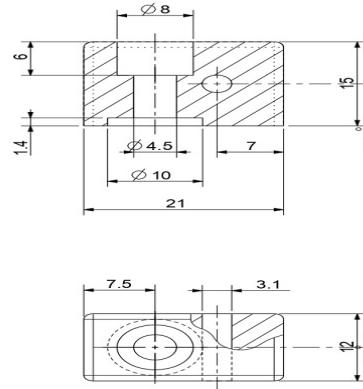
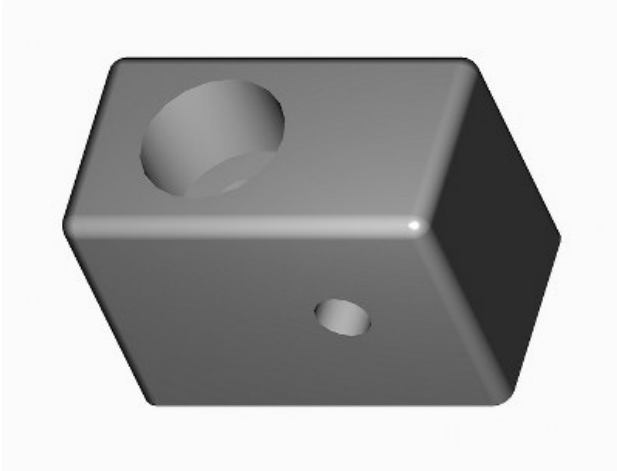


Cod. F10528  
B1080-001169 **NEW**  
Stainless steel socket  
head screw VTCE1  
M5x25

# Gley glass fiber block for removable panel

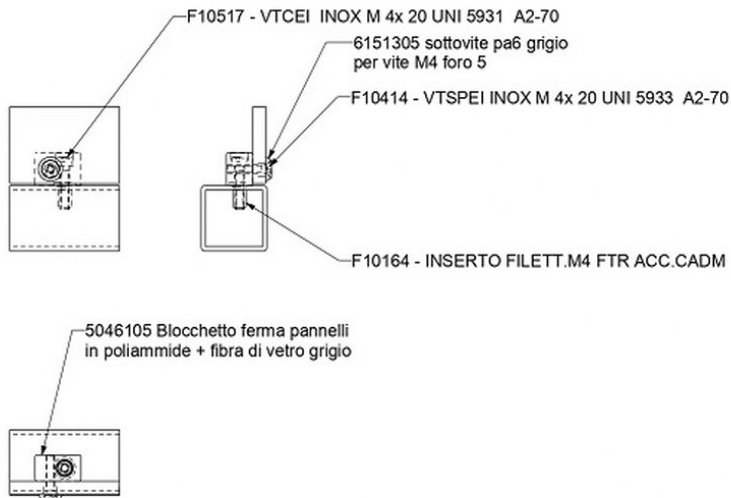
**B1050-000981 NEW**

**5046105**



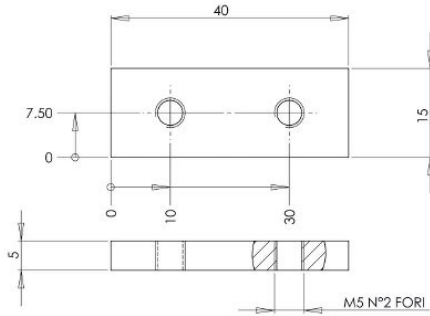
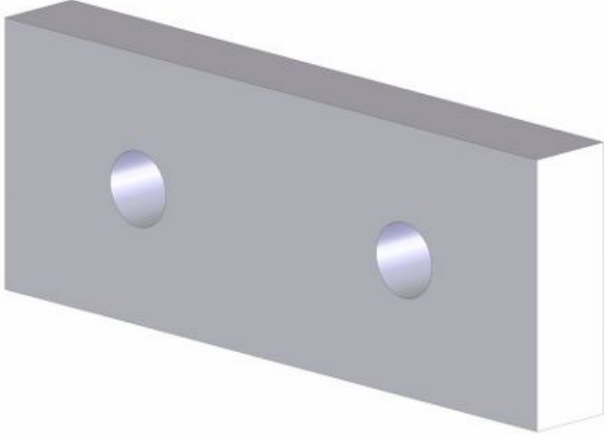
Fixed/removable sheet amorphous polyamide support  
 Dimension: 18x12x15mm  
 Weight: 0.025 Kg  
 Finish: natural grey

## Assembly example



Supports for fixed/removable sheets

**B1010-093703 NEW 1A0200340112**



Connection and stiffener support for fixed/removable sheets.  
Material: aluminium  
Surface finish: shot peening

# Plate supports

**B1050-001792** **NEW** **L15136**

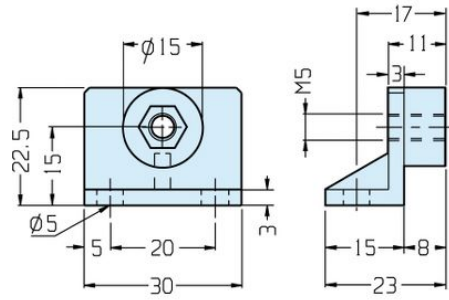
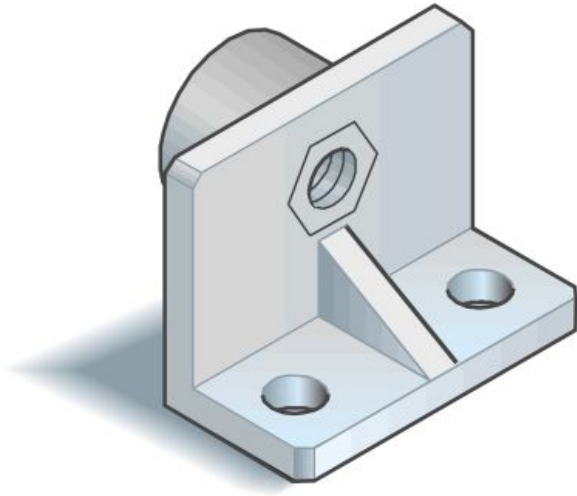


Plate support complete with M5 metal insert  
 Weight: 0.007 kg  
 Finish: colour RAL 7001

## Parts

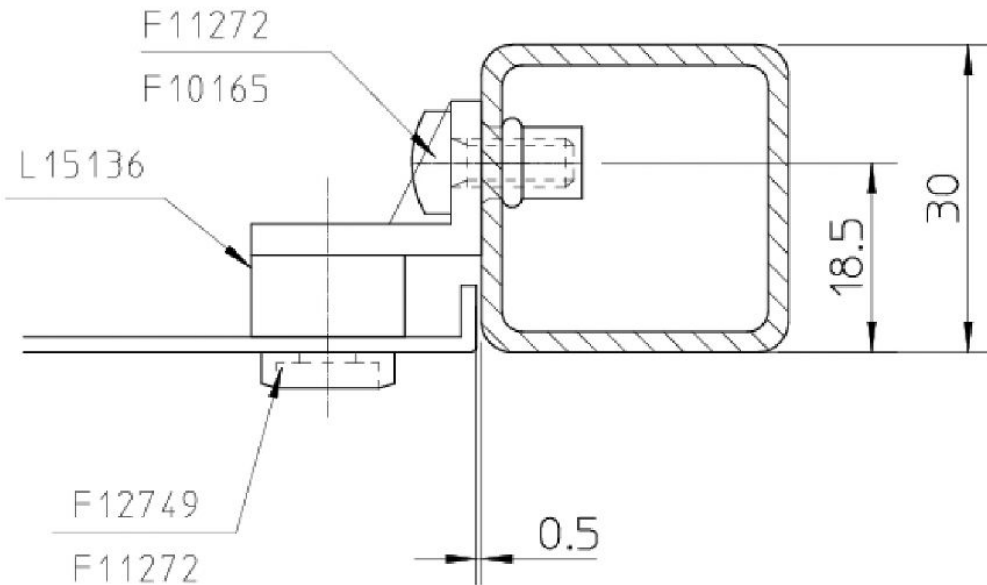


Cod. **F11272**  
 B1080-001247 **NEW**  
 Stainless steel  
 cross/cheese-headed  
 screw M5x12



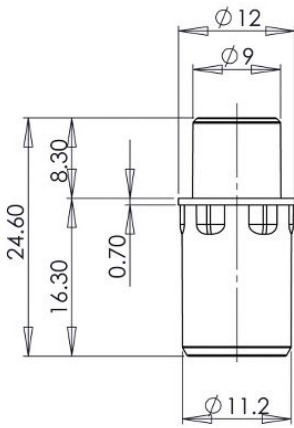
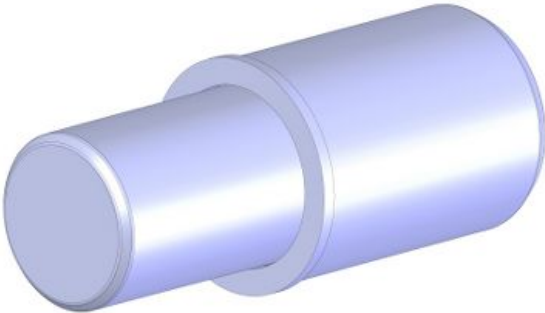
Cod. **F12749**  
 B1080-001296 **NEW**  
 D5/13 neutral screw  
 under-support

## Assembly example



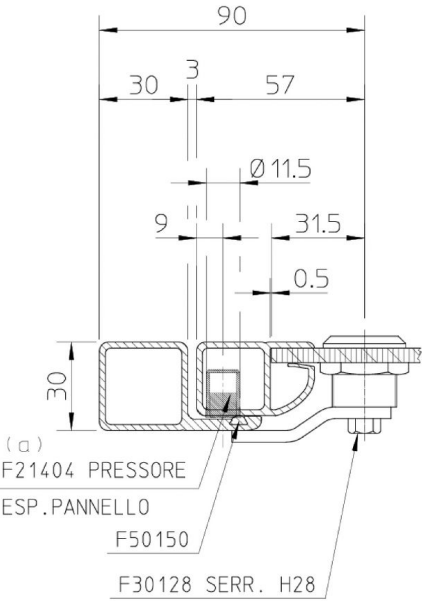
# Ejector

**B1050-001205 NEW F21404**



Fixed ejector with key

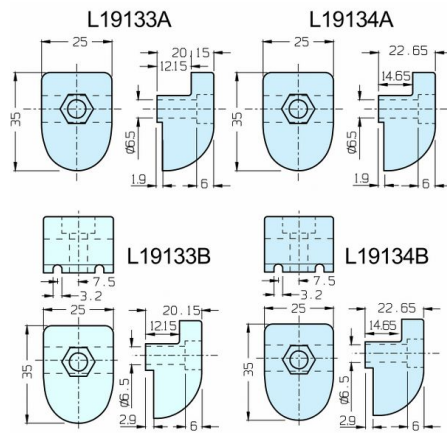
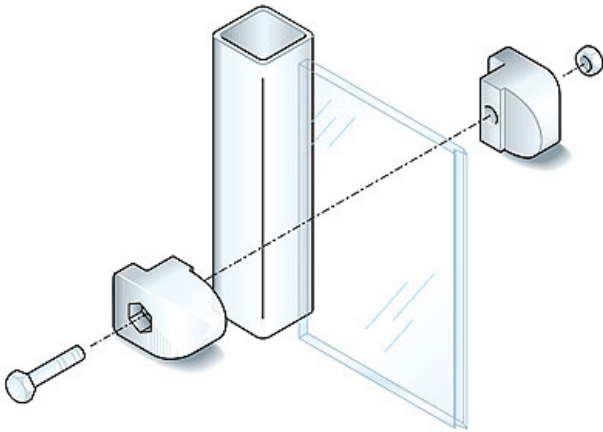
## Assembly example





Sheet clamps

**L19133**



Polyamide (with fiberglass) clamp for sheet locking.

Color: RAL 7039

Weight: 0.030 kg

The distance of 10 mm of the panel from the profile makes the protection completely washable.

Code	New Code	Use	Code profile
L19133A + L19133A	B1050-001953 + B1050-001953	Sheet sp. 4	A 40709
L19134A + L19134A	B1050-001955 + B1050-001955	Sheet sp. 4	A 40710
L19133A + L19133B	B1050-001953 + B1050-001954	Sheet sp. 5	A 40709
L19134A + L19134B	B1050-001955 + B1050-001956	Sheet sp. 5	A 40710
L19133B + L19133B	B1050-001954 + B1050-001954	Sheet sp. 6	A 40709
L19134B + L19134B	B1050-001956 + B1050-001956	Sheet sp. 6	A 40710

Parts



Cod. L19133A  
B1050-001953 **NEW**  
Support for panel blocking



Cod. L19133B  
B1050-001954 **NEW**  
Support for panel blocking



Cod. L19134A  
B1050-001955 **NEW**  
Support for panel blocking



Cod. L19134B  
B1050-001956 **NEW**  
Support for panel blocking



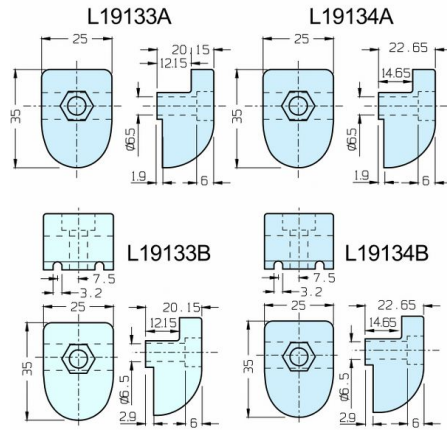
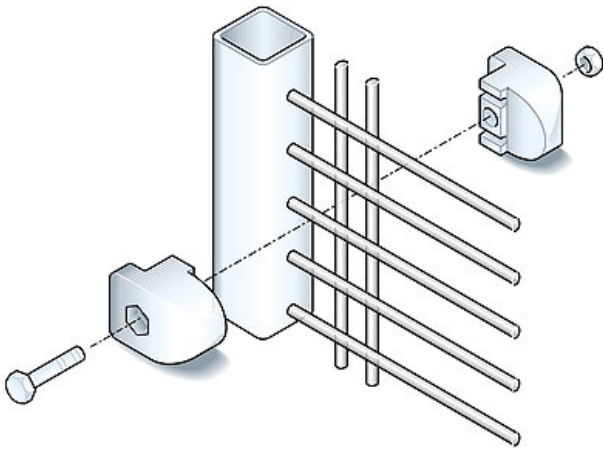
Cod. F10541  
B1080-001175 **NEW**  
Stainless steel socket head cap screw M6x40



Cod. F11956  
B1080-000814 **NEW**  
Stainless steel hex. nut M6

Mesh clamps

L19134



Polyamide (with fiberglass) clamp for mesh locking.

Color: RAL 7039

Weight: 0.030 kg

The distance of 10 mm of the panel from the profile makes the protection completely washable.

Code	New Code	Use	Code profile
L19133A + L19133B	B1050-001953 + B1050-001954	Type 1	A 40709
L19134A + L19134B	B1050-001955 + B1050-001956	Type 1	A 40710
L19133B + L19133B	B1050-001954 + B1050-001954	Type 2	A 40709
L19134B + L19134B	B1050-001956 + B1050-001956	Type 2	A 40710

Parts



Cod. L19133A  
B1050-001953 **NEW**  
Support for panel blocking



Cod. L19133B  
B1050-001954 **NEW**  
Support for panel blocking



Cod. L19134A  
B1050-001955 **NEW**  
Support for panel blocking



Cod. L19134B  
B1050-001956 **NEW**  
Support for panel blocking



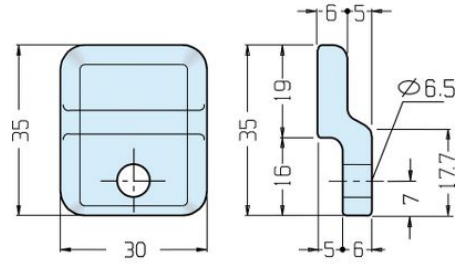
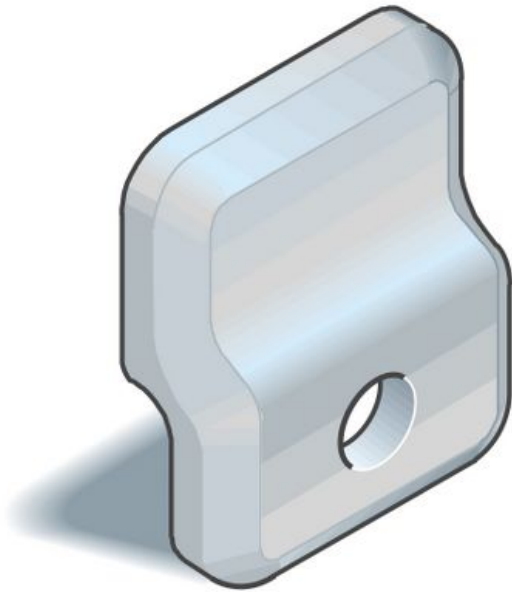
Cod. F10541  
B1080-001175 **NEW**  
Stainless steel socket head cap screw M6x40



Cod. F11956  
B1080-000814 **NEW**  
Stainless steel hex. nut M6

# Large door stop

**B1050-001958** **NEW** **L19153**



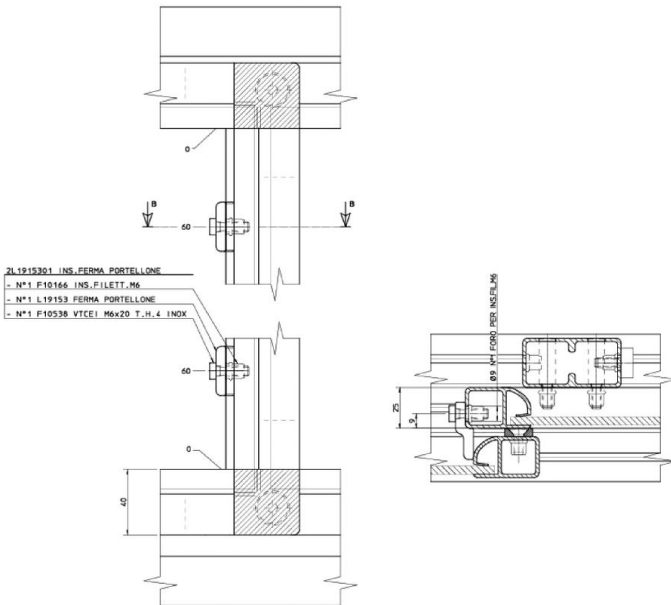
Polyamide large door stop  
 Weight: 0.009 kg  
 Finish: colour RAL 7039

## Parts



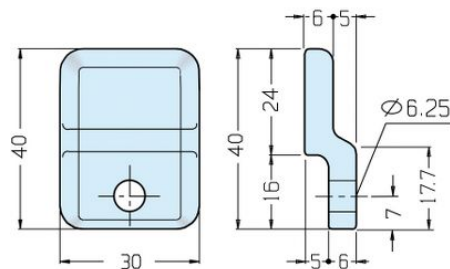
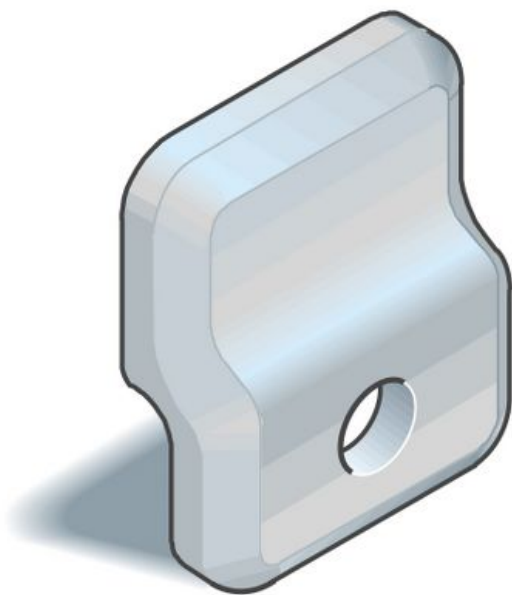
Cod. **F10538**  
 B1080-000445 **NEW**  
 Stainless steel socket  
 head cap screw M6x20  
 T=4

## Assembly example



# Large door long stop

**B1050-001959** **NEW** **L19155**



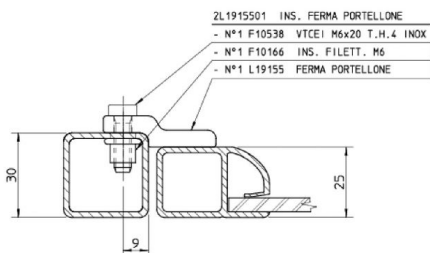
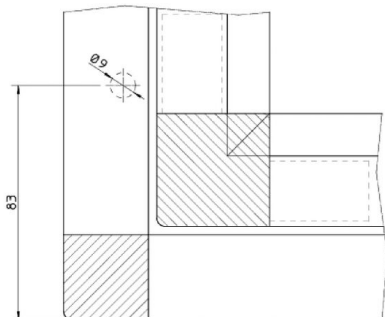
Polyamide large door long stop  
 Weight: 0.010 kg  
 Finish: colour RAL 7039

## Parts



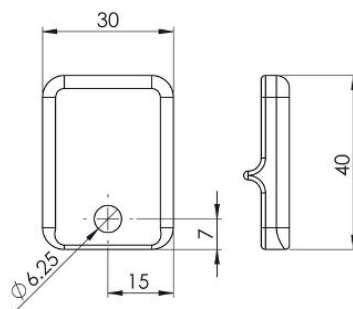
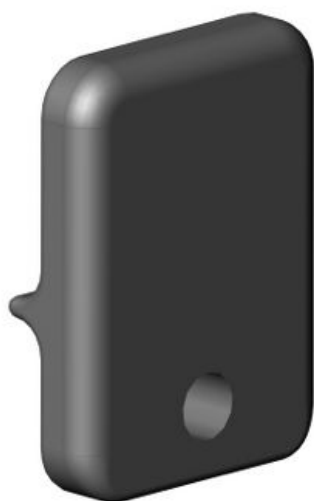
Cod. **F10538**  
**B1080-000445** **NEW**  
 Stainless steel socket  
 head cap screw M6x20  
 T=4

## Assembly example



# Large door linear stop

**B1050-001960** **NEW** **L19156**



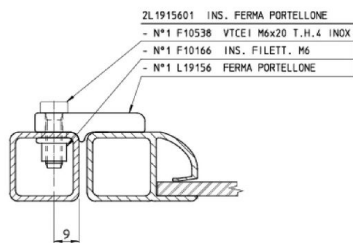
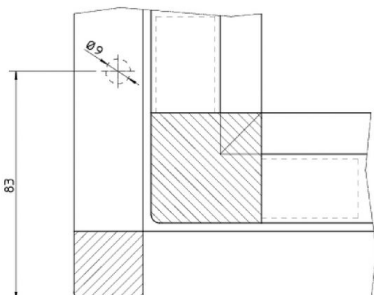
Polyamide large door linear stop  
 Weight: 0.010 kg  
 Finish: colour RAL 7039

## Parts



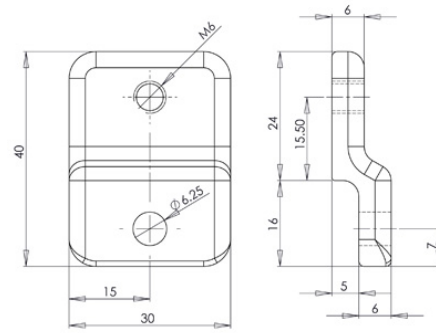
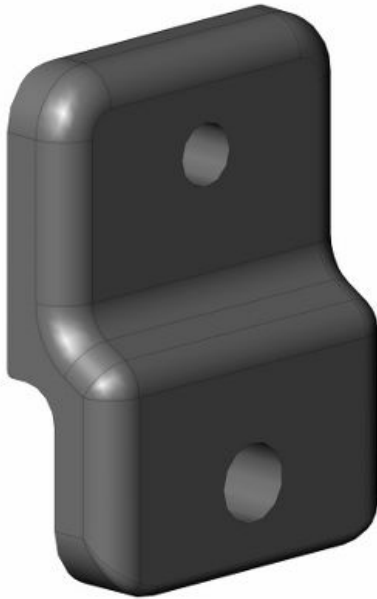
Cod. **F10538**  
**B1080-000445** **NEW**  
 Stainless steel socket  
 head cap screw M6x20  
 T=4

## Assembly example



■ Stop for fixed removable panel with key, screwed in place

**B1050-002117 NEW**      **N40140**



Stop for fixed removable panel with key, screwed in place

Material: polyamide

Colour: RAL 7039

Delivery condition: in stock

Note: If fitted with F11303 or special screws it may prevent, in most cases, the use of a microswitch. It ensures a higher safety than key.

Parts

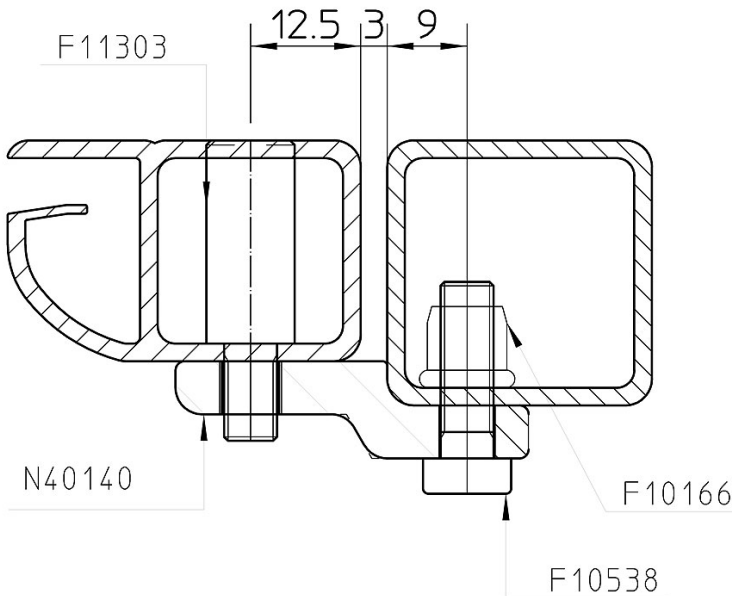


Cod. F10538  
B1080-000445 **NEW**  
Stainless steel socket  
head cap screw M6x20  
T=4



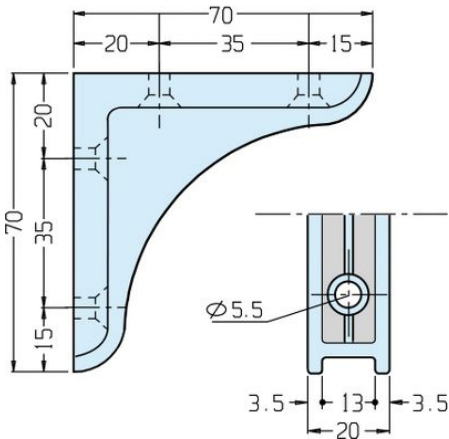
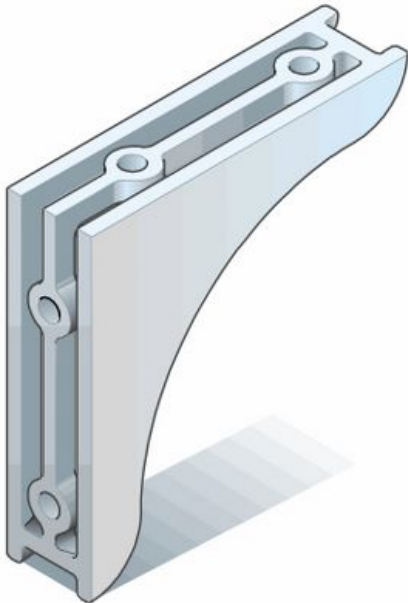
Cod. F11303  
B1080-000209 **NEW**  
Captive screw M6 x 11  
T.H. 23mm

Assembly example



# 45° stiffener supports

**B1050-001963** **NEW** **L19164**



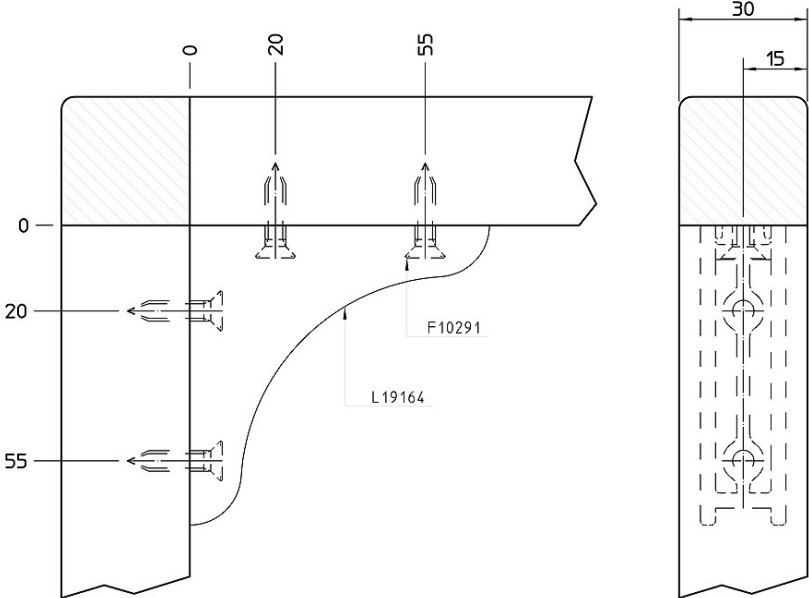
Polyamide stiffener support for 45° corners  
Weight: 0.025 kg  
Finish: colour RAL 7039

## Parts



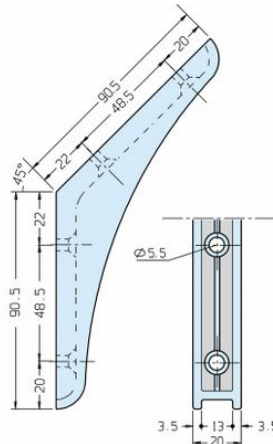
Cod. **F10291**  
B1080-001097 **NEW**  
Stainless steel  
flathead screw  
4.8x22.2

## Assembly example



90° stiffener supports

**B1050-001962** **NEW** **L19163**



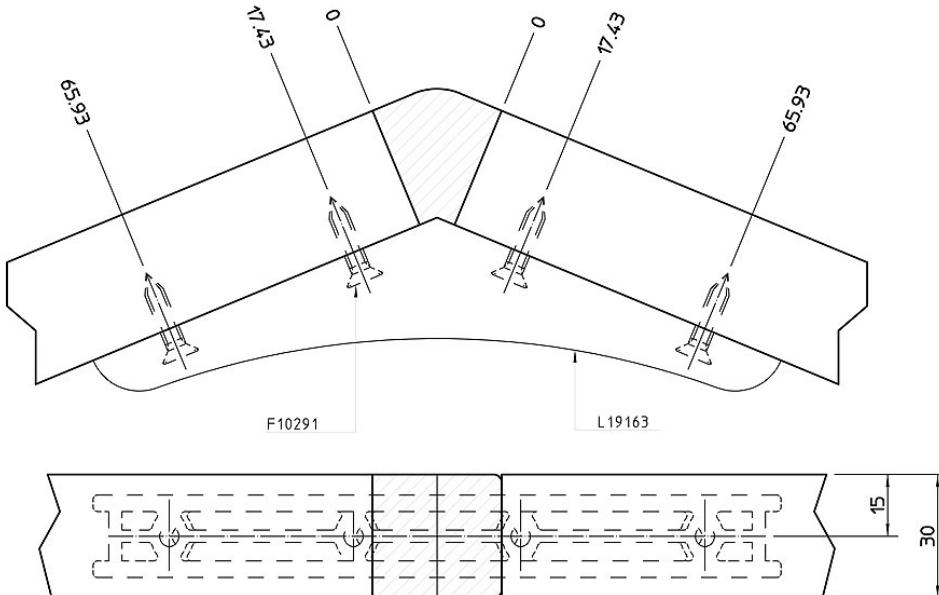
Polyamide stiffener support for 45° angles  
 Weight: 0.040 kg  
 Finish: colour RAL 7039

Parts



Cod. **F10291**  
 B1080-001097 **NEW**  
 Stainless steel  
 flathead screw  
 4.8x22.2

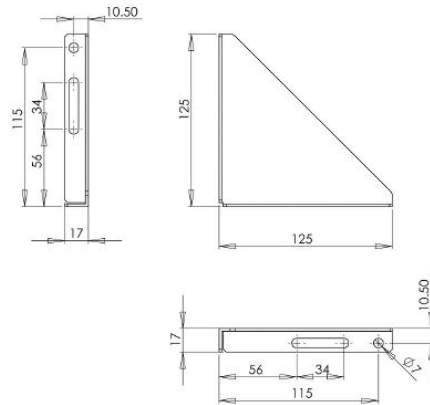
Assembly example





# Stainless steel 90° stiffener supports

**B1050-002089 NEW**      **N20851**



Stainless steel AISI304 stiffener support for 90° corners  
 Weight: 0,180 kg  
 Finish: butter finish

## Parts

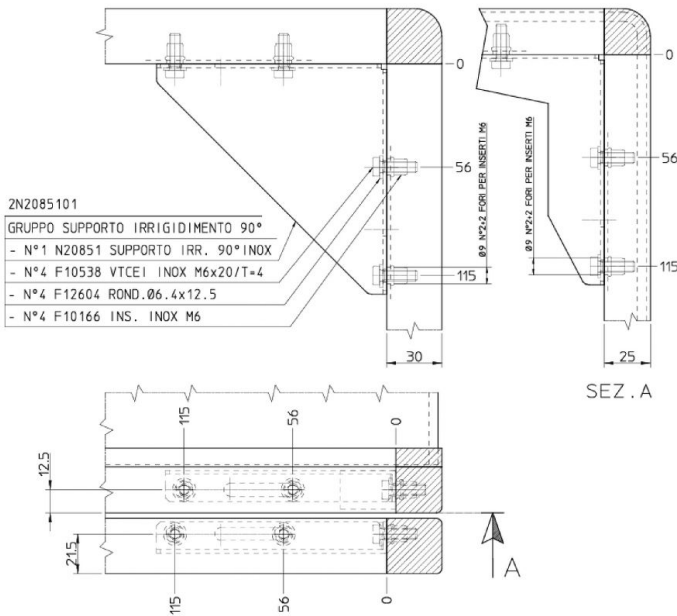


Cod. **F10166**  
 B1080-001067 **NEW**  
 M6 threaded insert



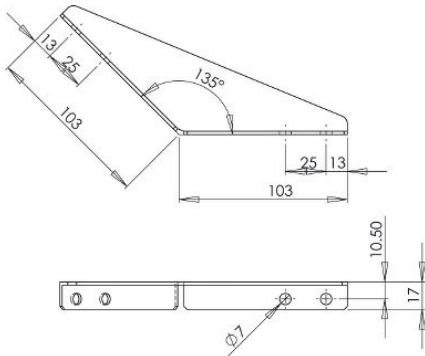
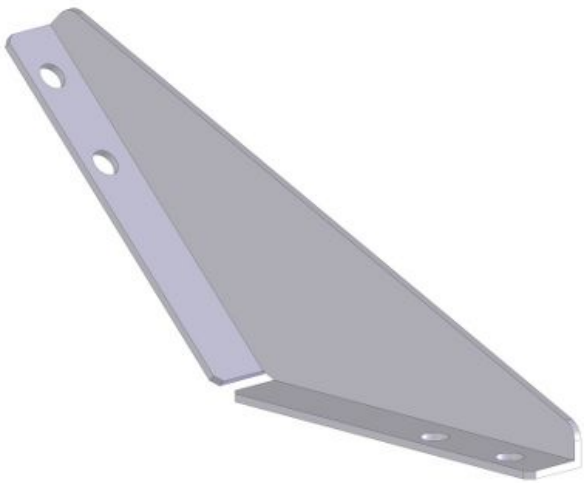
Cod. **F10538**  
 B1080-000445 **NEW**  
 Stainless steel socket  
 head cap screw M6x20  
 T=4

## Assembly example



# Stainless steel 45° stiffener supports

**B1050-002091 NEW** **N20852**



Stainless steel AISI 304 stiffener support for 45° corners  
 Weight: 0,125 kg  
 Finish: butter finish

### Parts

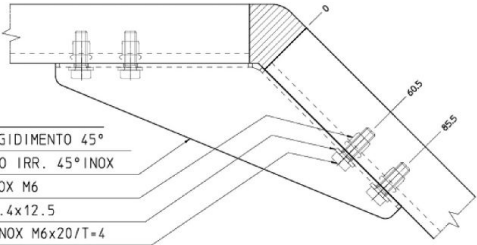


Cod. **F10166**  
 B1080-001067 **NEW**  
 M6 threaded insert

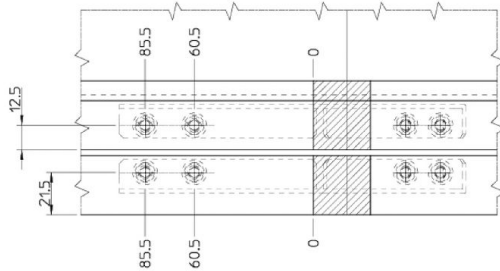


Cod. **F10538**  
 B1080-000445 **NEW**  
 Stainless steel socket  
 head cap screw M6x20  
 T=4

### Assembly example

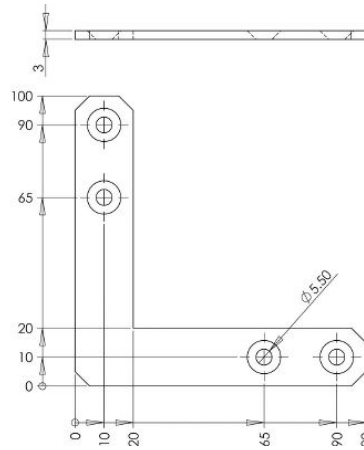
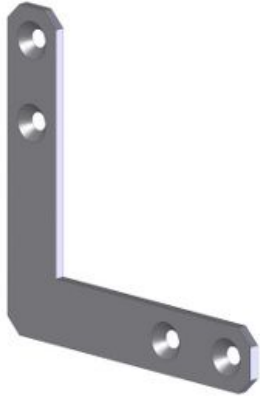


- 2N2085201  
 GRUPPO SUPPORTO IRRIGIDIMENTO 45°  
 - N°1 N20852 SUPPORTO IRR. 45° INOX  
 - N°4 F10166 INS. INOX M6  
 - N°4 F12604 ROND. Ø6.4x12.5  
 - N°4 F10538 VTCEI INOX M6x20/T=4



## Large door supports

**B1010-095409** **NEW** 1C0100250063



90° stiffener support for large door anchor area

### Parts



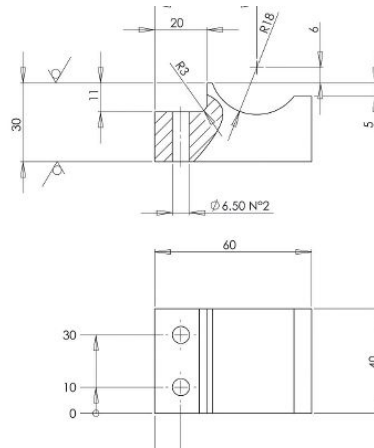
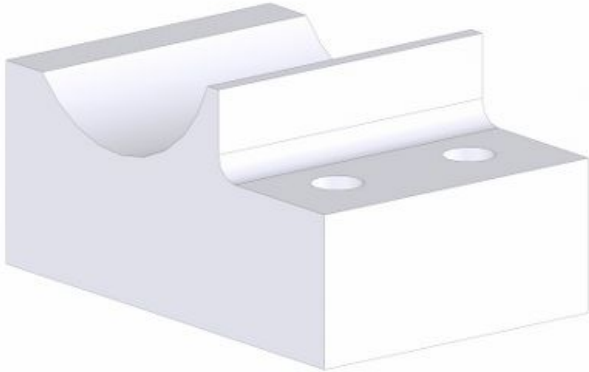
Cod. **F10165**  
B1080-001066 **NEW**  
M5 threaded insert



Cod. **F10424**  
B1080-001132 **NEW**  
Stainless steel  
countersunk socket  
screw M5x20

# Large door stiffener supports

**B1050-002110** **NEW** **N40131**



Central stiffener support to prevent large door bending  
 Material: Polizene 1000  
 Color: white

## Parts

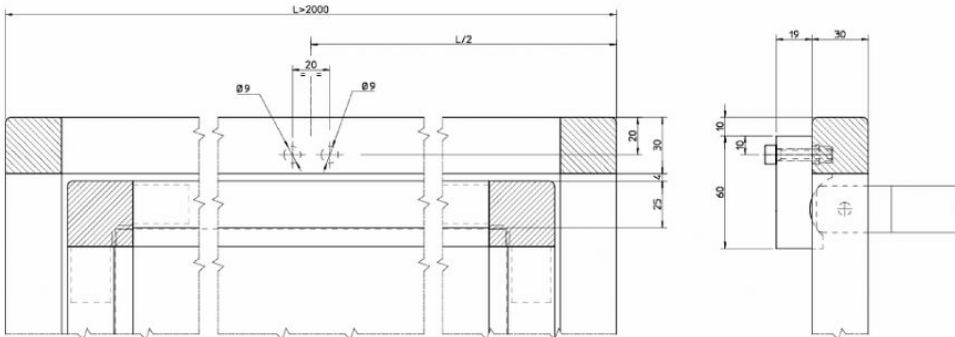


Cod. **F10166**  
 B1080-001067 **NEW**  
 M6 threaded insert

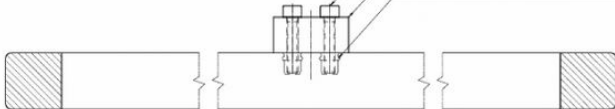


Cod. **F10540**  
 B1080-000447 **NEW**  
 Stainless steel socket  
 head cap screw M6x30

## Assembly example

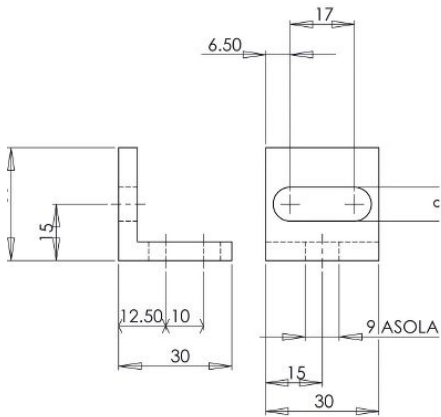
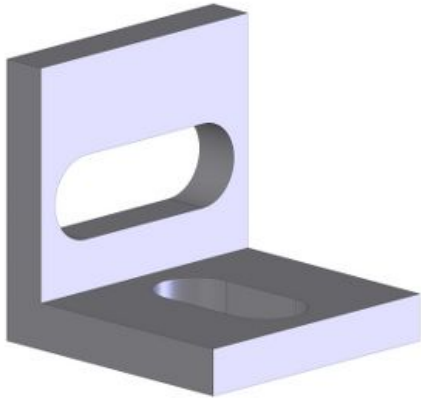


- 2N4013101  
 GRUPPO SOSTEGNO CENTR. PORTELLONE  
 - N°2 F10540 VTCEI INOX M6x30 UNI 5931  
 - N°1 N40131 SUPPORTO SOST. PORTELLONE  
 - N°2 F10166 INSERTO FIL. M6 FTR ACC. CADM



# Aluminum fastening supports

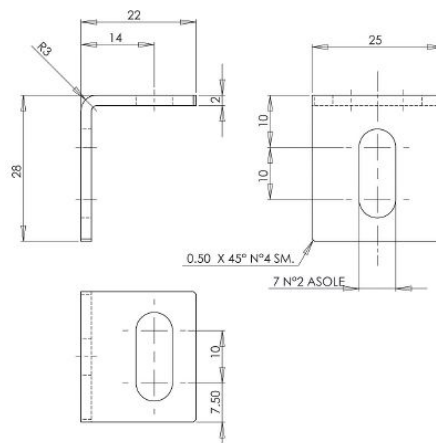
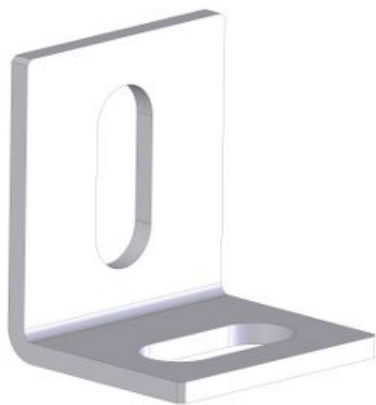
**B1010-095145 NEW 1A0400280187**



Shot peened aluminum guard fastening support with slot , 30x30x30, th. 5

# Stainless steel fastening supports

**B1010-093870** **NEW** **1C0200280370**

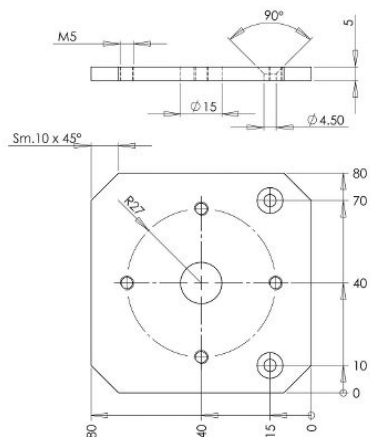
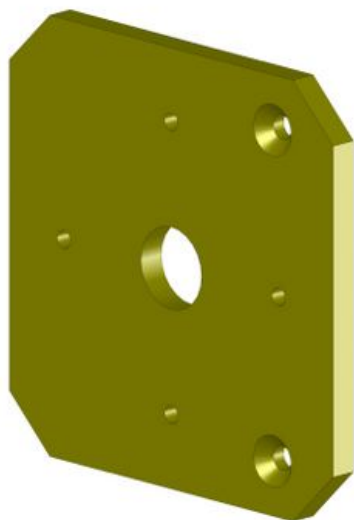


Stainless steel fastening support with slot, 28x22x25, th. 2

"Warning light" supports

**B1010-144796** **NEW**

**N20990**



Aluminum support for machine operation "warning light"

Weight: 0,084 kg

Finish: elox anodised

Parts



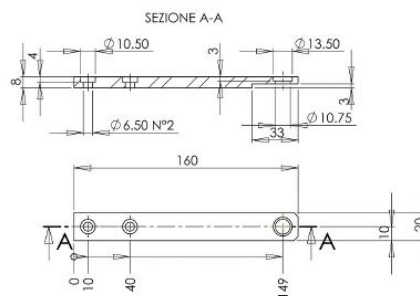
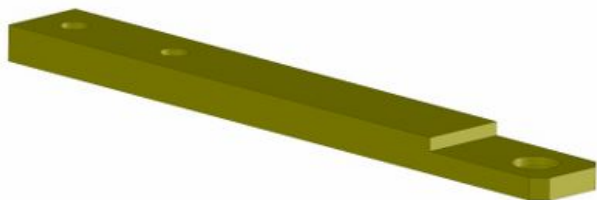
Cod. **F10166**  
B1080-001067 **NEW**  
M6 threaded insert



Cod. **F10413**  
B1080-001124 **NEW**  
Stainless steel  
countersunk socket  
screw M4x16

# Sundry supports

**B1010-144756** **NEW** **N20758**



**Cremonese bolt closing plate for double doors in aluminum**  
**Weight: 0,059 kg**  
**Finish: Elox anodized**

## Parts



Cod. **F10166**  
 B1080-001067 **NEW**  
 M6 threaded insert



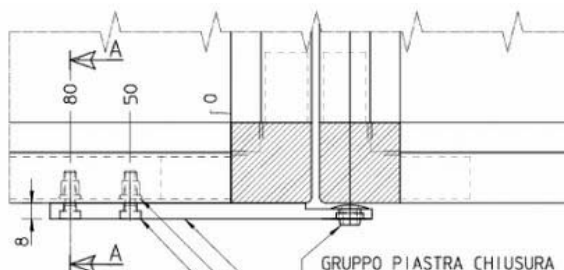
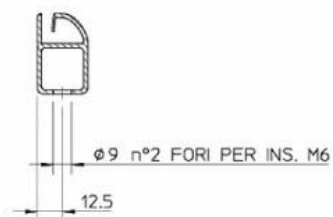
Cod. **F10538**  
 B1080-000445 **NEW**  
 Stainless steel socket  
 head cap screw M6x20  
 T=4



Cod. **L16107**  
 B1080-000039 **NEW**  
 Centering bushing for  
 Cremonese handle bar

## Assembly example

SEZ. A-A



**GRUPPO PIASTRA CHIUSURA CARIGLIONE SPORT.2 ANTE**  
 N°1 L16107 - BOCCOLA INSERIMENTO ASTA CREMONESE  
 N°1 N20758 - PIASTRA CHIUS. CARIGLIONE SPORT.2A  
 N°1 F10166 - INSERTO FIL.M6 FTR ACC.CADM.  
 N°1 F10538 - VTCEI M6x20



# HANDLES

The "Handles" section includes all the components currently manufactured by **Lpm Group** and available in stock.

All components in this section are in RAL 7039 colour like all the polyamide accessories belonging to **Lpm Group** system.

The Polyamide Polymer "6" is reinforced with fiberglass and contains a percentage of elastomer which improves its resistance to deformation, without making it elastic, and avoiding the resulting brittle fracture.

*The technical characteristics and sizes of products are indicative as they may vary and be subject to functional changes based on enhancements and production issues, which are the sole responsibility of Lpm Group.*

## **Product technical characteristics**

Structure: partially crystalline thermoplastic material

Reinforcement material: fiberglass

Colour: RAL 7039

Mechanical characteristics:

- Resistance to wear
- Highly shock-resistant
- Good resistance to ageing

Electrical characteristics: good resistance to contact current

Thermal characteristics: VICAT (softening point) 215°C

Resistant to:

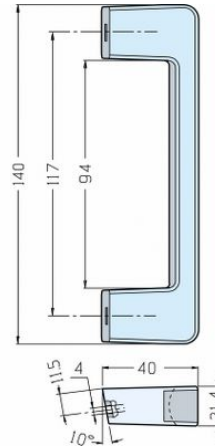
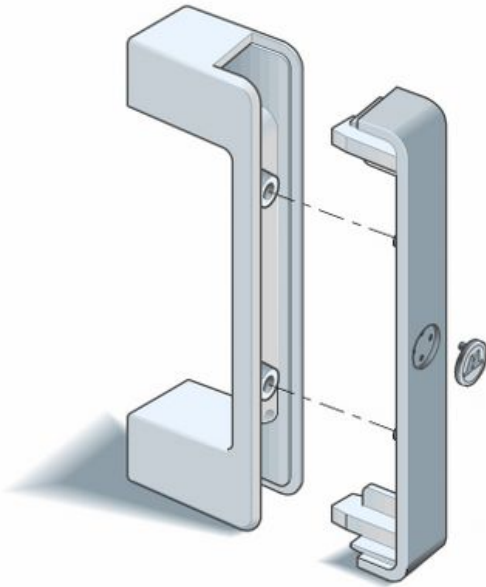
- Hydrocarbons
- Petrol
- Oil and grease
- alkaline solutions in general

Food Compatibility: To be verified depending on applications

Supply conditions: In a package only where indicated on the specific component

# Standard open handle

**B1050-000733 NEW** **L19201**



**Open handle**  
**Material: Polyamide**  
**Colour: RAL 7039**  
**Weight: 0.026 Kg**

## Parts



Cod. **L15206**  
 B1050-001813 **NEW**  
 Polyamide  
 handle-cover (with  
 fiberglass). Color:  
 Orange



Cod. **L19207**  
 B1050-000736 **NEW**  
 Polyamide  
 handle-cover (with  
 fiberglass). Color: RAL  
 7039



Cod. **F10165**  
 B1080-001066 **NEW**  
 M5 threaded insert



Cod. **F10525**  
 B1080-000426 **NEW**  
 Stainless steel socket  
 head cap screw M5x14

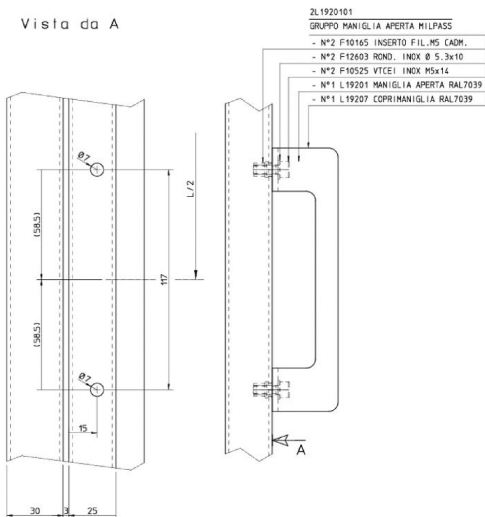


Cod. **F12603**  
 B1080-001277 **NEW**  
 Stainless steel washer  
 D5.3x10

## Assembly example

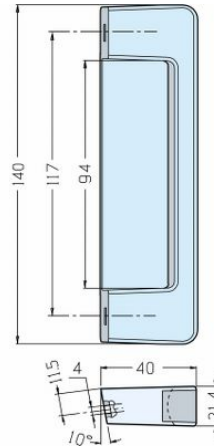
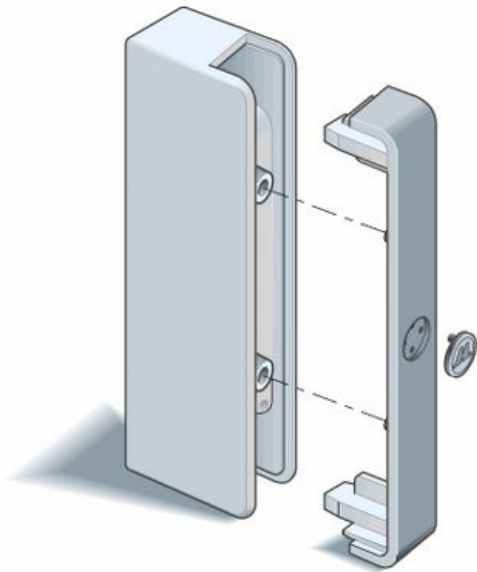
Montaggio MANIGLIA MILPASS APERTA

Vista da A



# Standard closed handle

**B1050-000734 NEW** **L19202**



**Closed handle**  
**Material: Polyamide**  
**Colour: RAL 7039**  
**Weight: 0.036 Kg**

## Parts



Cod. **L15206**  
 B1050-001813 **NEW**  
 Polyamide  
 handle-cover (with  
 fiberglass). Color:  
 Orange



Cod. **L19207**  
 B1050-000736 **NEW**  
 Polyamide  
 handle-cover (with  
 fiberglass). Color: RAL  
 7039



Cod. **F10165**  
 B1080-001066 **NEW**  
 M5 threaded insert



Cod. **F10525**  
 B1080-000426 **NEW**  
 Stainless steel socket  
 head cap screw M5x14

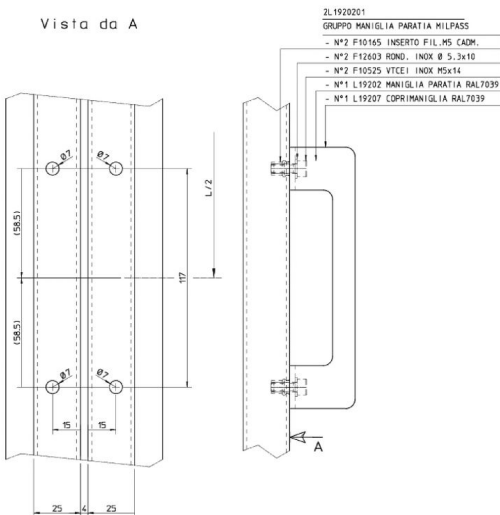


Cod. **F12603**  
 B1080-001277 **NEW**  
 Stainless steel washer  
 D5.3x10

## Assembly example

Montaggio MANIGLIA MILPASS CON PARATIA

Vista da A



Bar handle diameter 25 mm RAL 7039

**B1050-001344** **NEW** **F31111AA**



Bar handle with D25 tube  
Colour: RAL 7039

Note: aluminum tube length is made to order. For lengths above 600mm, it is recommended to use a third stiffening element.

Parts

- 

Cod. L19217A  
B1050-001973 **NEW**  
Bar handle closing pin  
D25
- 

Cod. L19218A  
B1050-000738 **NEW**  
Cap with brand for bar  
handle D25, Orange
- 

Cod. L19219A  
B1050-000739 **NEW**  
Bar handle side cover  
D25
- 

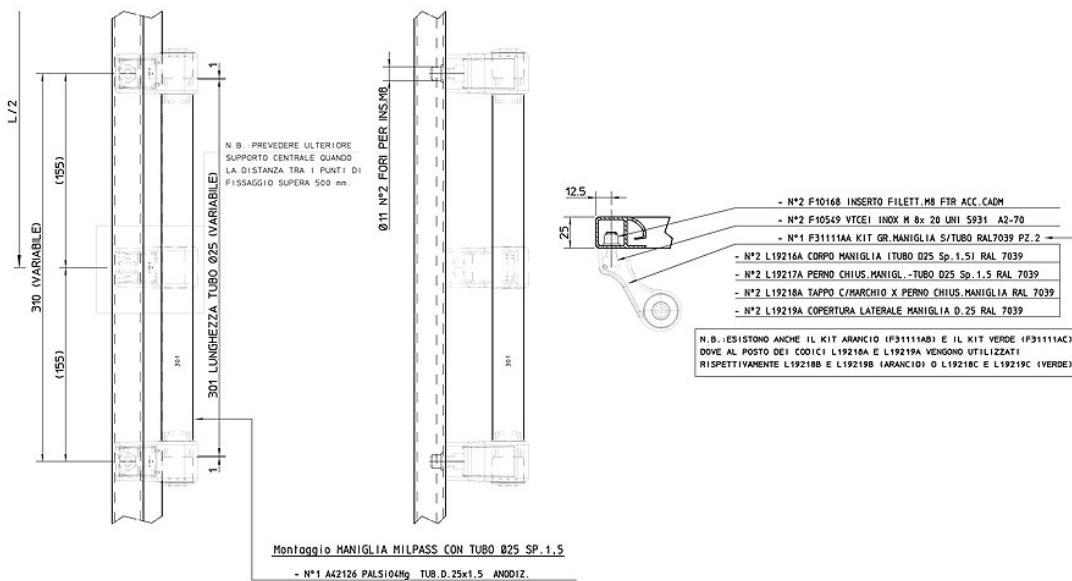
Cod. L19220A  
B1050-001978 **NEW**  
Bar handle spacer D25
- 

Cod. A42126  
B1020-003591 **NEW**  
Aluminium Pipe  
D25, 1,5mm silver  
anodized
- 

Cod. A42126A  
Aluminium pipe  
D25x1,5mm elox  
anodized

Assembly example

Montaggio SU SPORTELLI



# Big handle kit Diam. 25mm

**B1050-002387** **NEW** **F31112**



Bar handle with D25 tube and grey color

Colour: RAL 7001

Status: Available in warehouse

Note: The accessories are used with A42126 and A42126A profile. Aluminium tube length is made to order. For lengths above 600mm, it is recommended to use a third stiffening element.

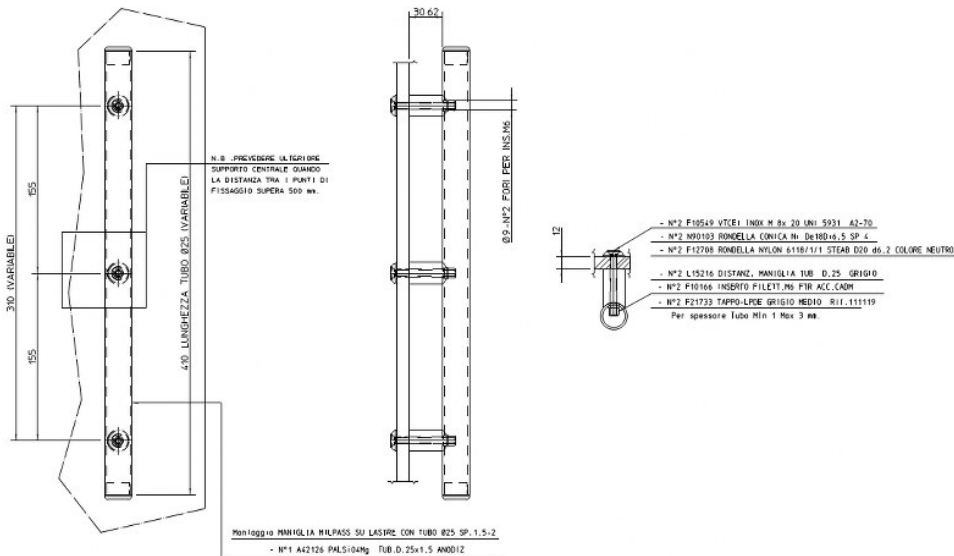
Inside the kit is NOT expected the profile.

## Parts

- |  |  |   |   |   |
|--|--|---|---|---|
|  <p>Cod. <b>L15216</b><br/>B1050-00157 <b>NEW</b><br/>Grey bar handle<br/>D.25mm spacer</p>      |  <p>Cod. <b>F21733</b><br/>Pipe cover 25mm -<br/>Height 3mm</p>  |  <p>Cod. <b>A42126</b><br/>B1020-003591 <b>NEW</b><br/>Aluminium Pipe<br/>D25,1,5mm silver<br/>anodized</p> |  <p>Cod. <b>A42126A</b><br/>Aluminium pipe<br/>D25x1,5mm elox<br/>anodized</p> |  <p>Cod. <b>F10166</b><br/>B1080-001067 <b>NEW</b><br/>M6 threaded insert</p> |
|  <p>Cod. <b>N90103</b><br/>B1080-001528 <b>NEW</b><br/>CONICAL WASHER<br/>Ni De18Di6,5 SP.4</p> |  <p>Cod. <b>F12708</b><br/>B1080-001295 <b>NEW</b><br/>NYLON WASHER<br/>6118/1/1 STEAB D20<br/>d6,2 NEUTRAL<br/>COLOR</p> |  <p>Cod. <b>M060301</b><br/>STAINLESS<br/>STEEL M6X60 UNI<br/>5933 A2-70</p>                               |   |   |

## Assembly example

### Montaggio SU SPORTELLI A LASTRA



# Bar handle, diameter 25 mm, Orange

**B1050-001345** **NEW** **F31111AB**



Bar handle with D25 tube  
Colour: orange

Note: aluminum tube length is made to order. For lengths above 600mm, it is recommended to use a third stiffening element. The aluminium pipe is not inside the code.

## Parts



Cod. L19217A  
B1050-001973 **NEW**  
Bar handle closing pin  
D25



Cod. L19218B  
B1050-001974 **NEW**  
Cap with brand for bar  
handle D25



Cod. L19219B  
B1050-001976 **NEW**  
Bar handle side cover  
D25, Orange



Cod. L19220A  
B1050-001978 **NEW**  
Bar handle spacer D25



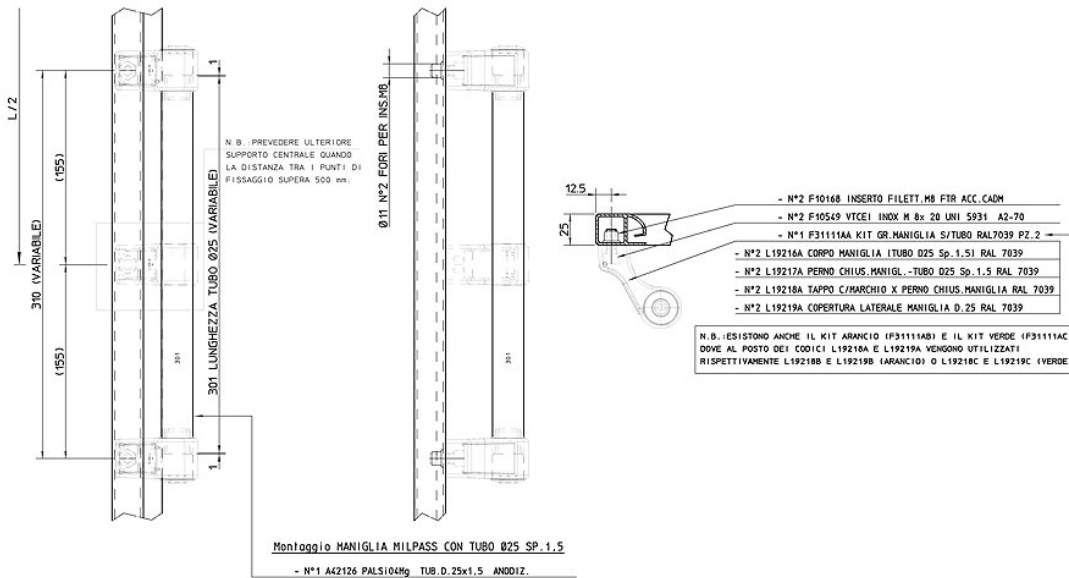
Cod. A42126  
B1020-003591 **NEW**  
Aluminium Pipe  
D25, 1,5mm silver  
anodized



Cod. A42126A  
Aluminium pipe  
D25x1,5mm elox  
anodized

## Assembly example

### Montaggio SU SPORTELLI



Bar handle diameter 25 mm, Green

**B1050-002388** **NEW** **F31111AC**



Bar handle with D25 tube  
Colour: green

Note: aluminum tube length is made to order. For lengths above 600mm, it is recommended to use a third stiffening element. The aluminium pipe is not inside the code.

Parts

- 

Cod. L19217A  
B1050-001973 **NEW**  
Bar handle closing pin  
D25
- 

Cod. L19218C  
B1050-001975 **NEW**  
Cap with brand for bar  
handle D25, Green
- 

Cod. L19219C  
B1050-001977 **NEW**  
Bar handle side cover  
D25, Green
- 

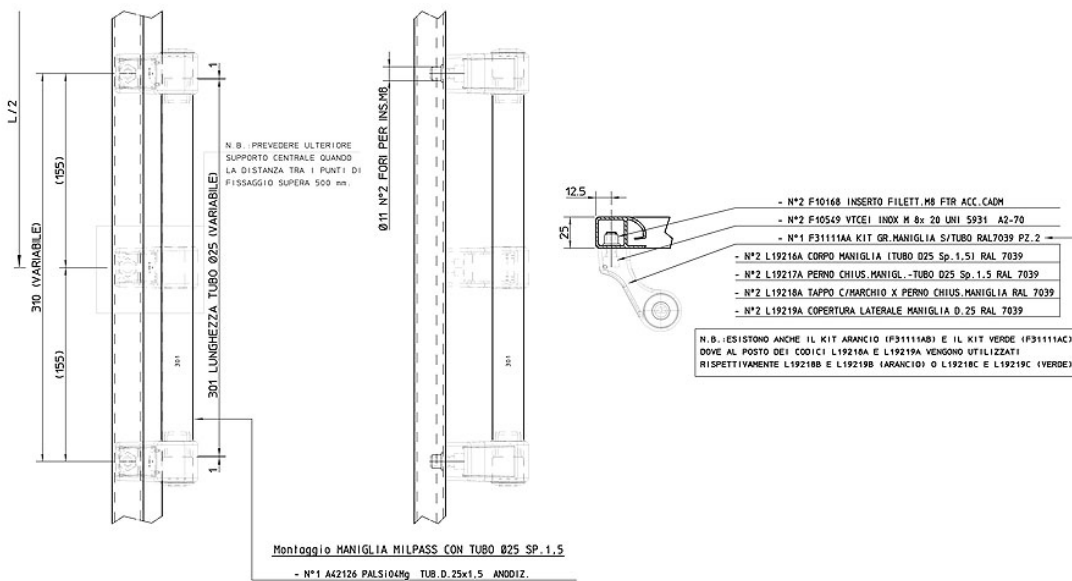
Cod. L19220A  
B1050-001978 **NEW**  
Bar handle spacer D25
- 

Cod. A42126  
B1020-003591 **NEW**  
Aluminium Pipe  
D25, 1,5mm silver  
anodized
- 

Cod. A42126A  
Aluminium pipe  
D25x1,5mm elox  
anodized

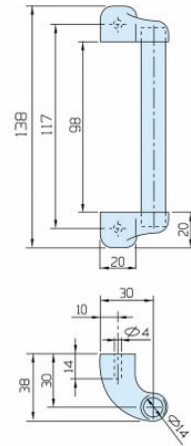
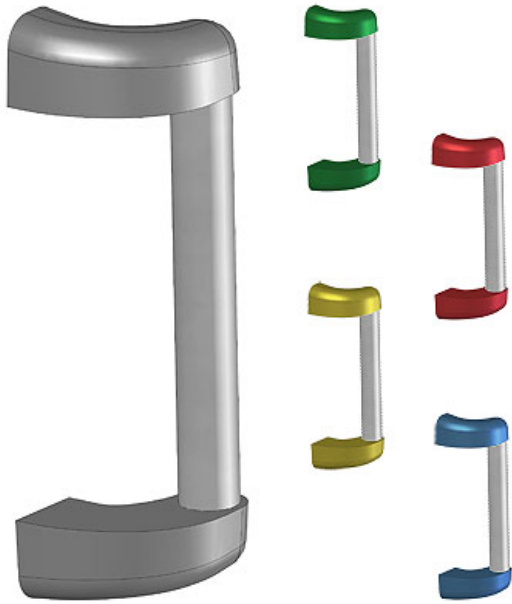
Assembly example

Montaggio SU SPORTELLI



# Aurora handle

**B1050-001821** **NEW** **L15214**



**Modular Aurora handle**  
**Material: polyamide**  
**Colour: RAL 7039**  
**Weight: 0.018 kg**  
**Delivery condition: low availability for limited use**

Colors	Code
	L15214
	L15209
	L15210
	L15211
	15213

## Parts



Cod. F10294  
 B1080-001099 **NEW**  
 Stainless steel  
 flathead screw  
 4.8x38.1



Cod. F10387  
 B1080-001118 **NEW**  
 Stainless steel  
 cheese-headed screw  
 4.8x22.2



Cod. F12749  
 B1080-001296 **NEW**  
 D5/13 neutral screw  
 under-support

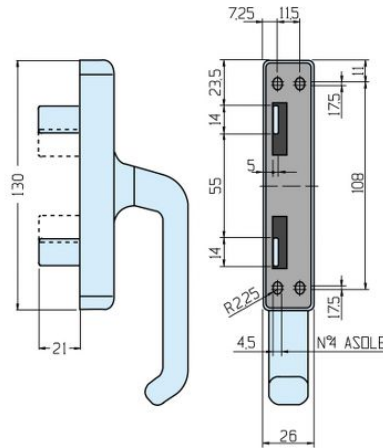


Cod. N25009A  
 44105N25009A **NEW**  
 Tube D14 L=114, elox  
 anodised



# Cremonese handle

**B1050-000727 NEW F31141A**



**Cremonese handle**  
**Material: aluminum**  
**Finish: Painted RAL 7039**  
**Weight: 0.300 Kg**

## Parts



Cod. **F10164**  
 B1080-001065 **NEW**  
 M4 threaded insert



Cod. **F10517**  
 B1080-000414 **NEW**  
 Stainless steel socket head cap screw M4x20



Cod. **L18101**  
 3402L18101 **NEW**  
 Nylon block for Cremonese bar, grey, weight 0.007 kg



Cod. **L16107**  
 B1080-000039 **NEW**  
 Centering bushing for Cremonese handle bar

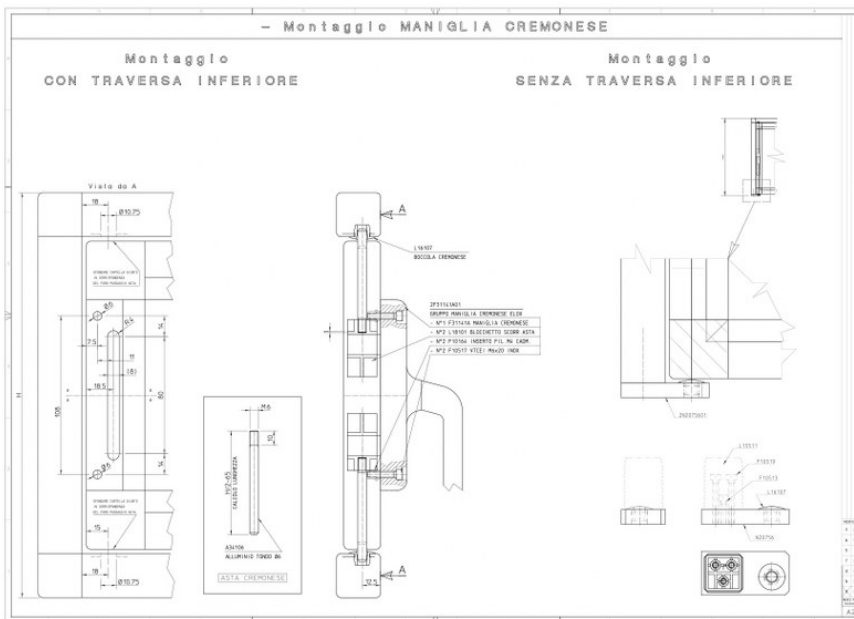


Cod. **L15511**  
 B1050-001823 **NEW**  
 Internal coupling Square 30mm 1 way



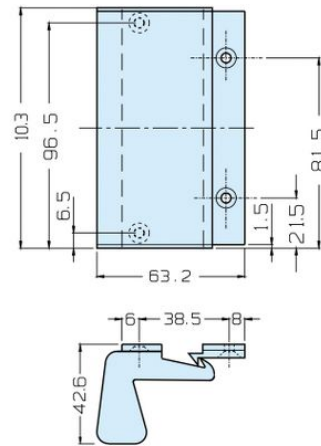
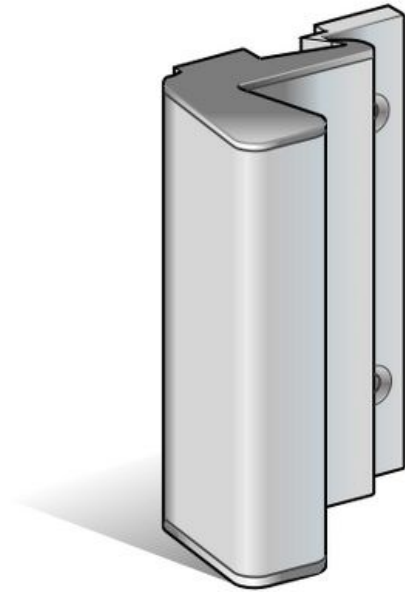
Cod. **N20756**  
 B1010-144755 **NEW**  
 Aluminium plate for Cremonese handle. Solution for door without low frame

## Assembly example



# Butterfly handle for sliding doors

**B1050-001357** **NEW** **F31161A**



**Butterfly handle**  
**Material: Aluminum**  
**Finish: Painted RAL 7039**  
**Weight: 0.189 Kg**

## Parts



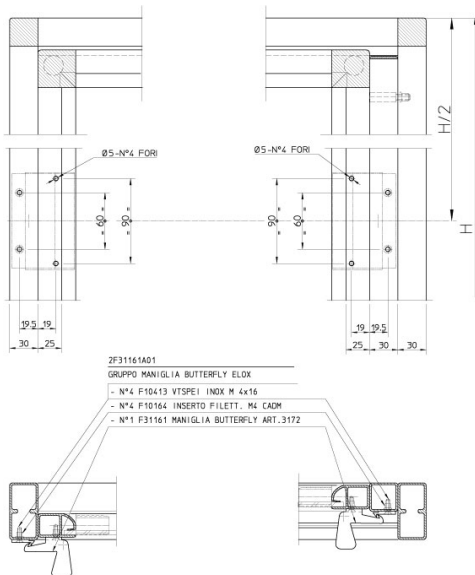
Cod. **F10164**  
 B1080-001065 **NEW**  
 M4 threaded insert



Cod. **F10413**  
 B1080-001124 **NEW**  
 Stainless steel  
 countersunk socket  
 screw M4x16

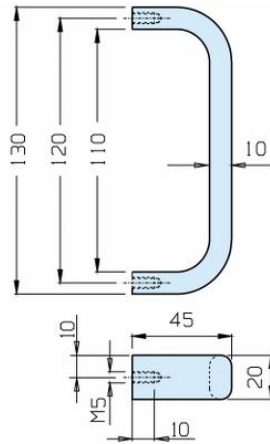
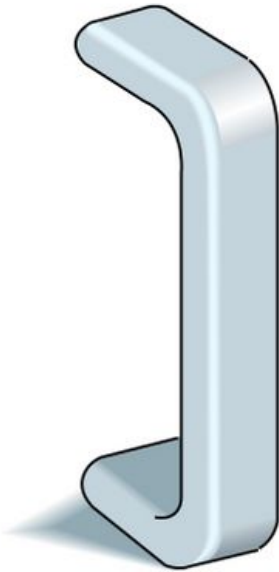
## Assembly example

SCORREVOLE A 2 ANTE



Aluminum handle

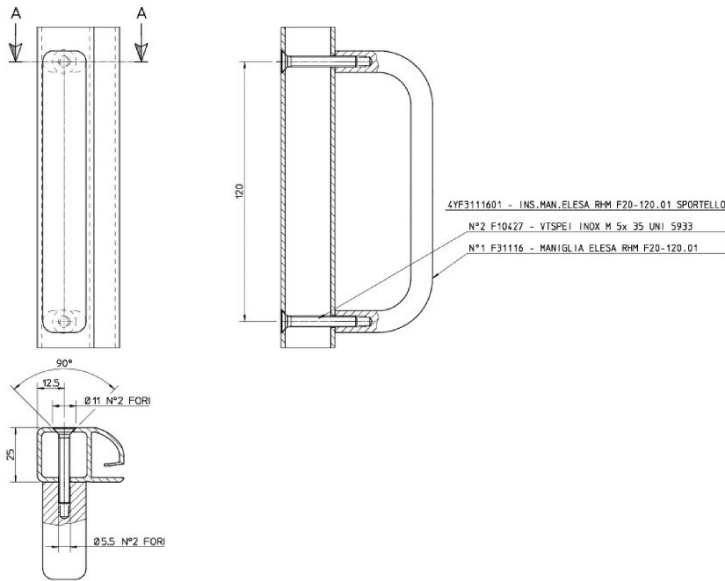
**B1050-001346 NEW F31116**



Open handle with oval cross-section  
 Material:aluminum  
 Finish: silver anodised  
 Weight: 0.090 Kg

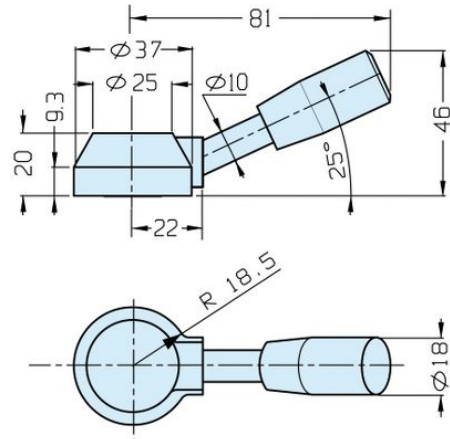
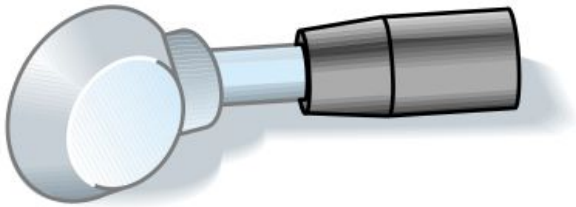
Assembly example

Montaggio MANIGLIA ELESA F31116 SU TELAIO IN ALLUMINIO Q.25















# Special lever handle

**B1050-001375 NEW F31305**

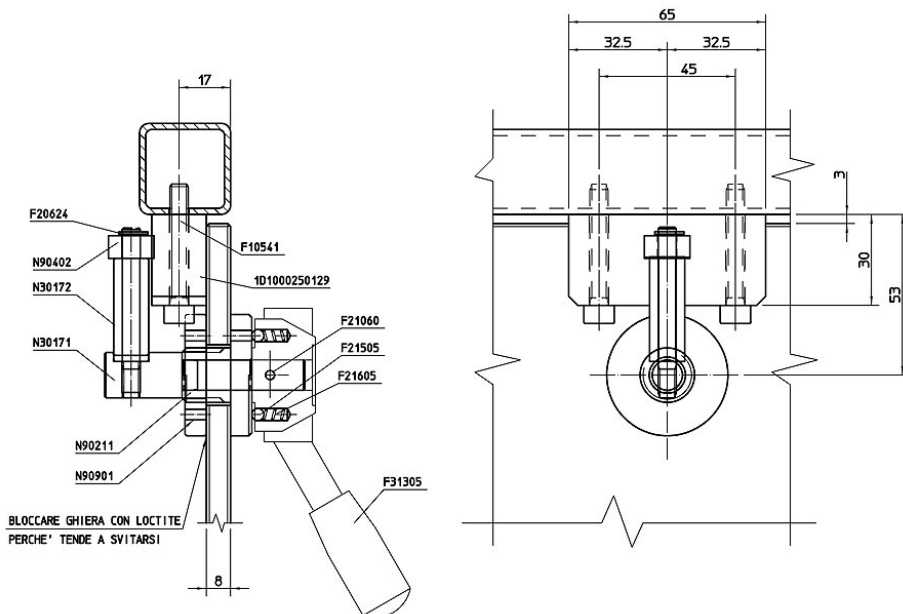


Lever handwheel  
Weight: 0.210 kg

## Parts

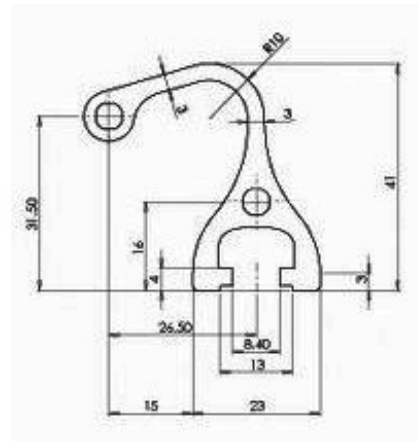
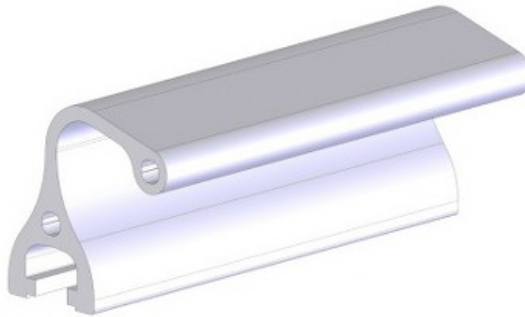
- |  |   |   |   |  |
|--|---|---|---|--|
|  Cod. F12654<br>Galvanised washer<br>D6.4x12.5   |  Cod. F20624<br>B1080-001319 <b>NEW</b><br>Stainless steel snap<br>ring D6    |  Cod. F21060<br>Stainless steel<br>spring cotter D3x30                          |  Cod. F21505<br>Steel ball D4.762<br>(3/16")   |  Cod. F21605<br>Spring OutD 4.9 -<br>Wire D 0.8 - Length<br>18.5         |
|  Cod. N30171<br>B1080-001521 <b>NEW</b><br>Stainless steel pin for<br>Elesa hand grip<br>D15x65 |  Cod. N30172<br>B1080-001522 <b>NEW</b><br>Stainless steel hex. pin<br>10x56 |  Cod. N40120<br>B1050-002105 <b>NEW</b><br>Nylon door slam<br>support 40x20x15 |  Cod. N90211<br>B1080-001534 <b>NEW</b><br>Nylon threaded<br>bushing, D40x23<br>M18x1.5 |  Cod. N90402<br>B1010-144817 <b>NEW</b><br>D6.2/D15 H7.5 nylon<br>space |
|  Cod. N90901<br>B1080-001539 <b>NEW</b><br>Nylon ring nut D40 H7                                |  Cod. F20626<br>B1080-001320 <b>NEW</b><br>Stainless steel snap<br>ring D10  |   |   |  |

## Assembly example



## Plastic sheet handle

**A40778**



Aluminum profile MP98 - Aluminium profile used by handle  
 Weight: 1.053 Kg  
 Finished: anodization  
 Delivery condition: In stock

### Parts

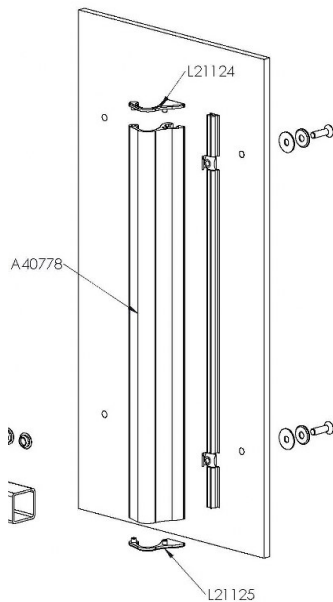


Cod. L21124  
 B1050-001987 **NEW**  
 Right cover cap for  
 MP98 profile



Cod. L21125  
 B1050-001988 **NEW**  
 Left cover cap for  
 MP98 profile

### Assembly example



# LOCKS

Here are assembly examples with components of this category.

Different materials are used for the locks:

- Polyamide cylinder
- Metal cylinder with retaining plate
- Stainless steel cylinder

The locks are supplied separately from the locking key, which is identified as a separate item and is also in the catalogue.

*The technical characteristics and sizes of products are indicative as they may vary and be subject to functional changes based on enhancements and production issues, which are the sole responsibility of Lpm Group.*

## Polyamide locks

**B1050-000148** **NEW**

**F30150**

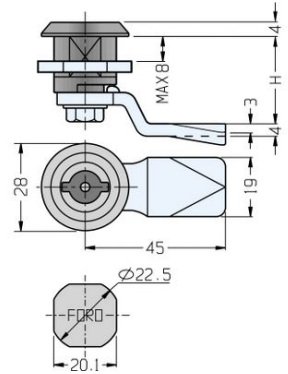
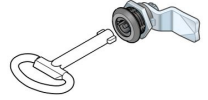
Key  
Colour: black



**B1050-001320** **NEW**

**F30130**

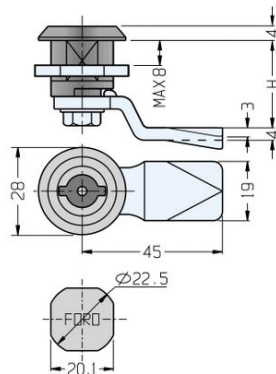
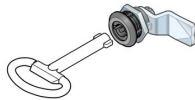
Lock with polyamide cylinder, H=30mm  
Colour: black closing



**B1050-000147** **NEW**

**F30128**

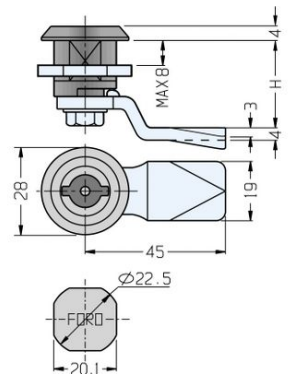
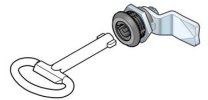
Lock with polyamide cylinder,  
H=28mm  
Colour: black closing



**B1050-001317** **NEW**

**F30125**

Lock with polyamide cylinder  
Colour: black closing  
User for material thickness 25 mm

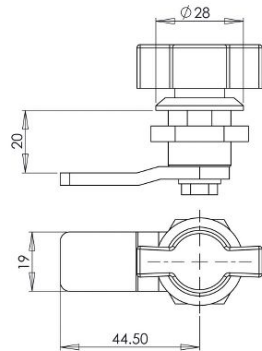
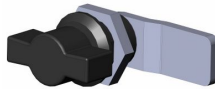


## Polyamide locks

**B1050-001316** **NEW**

**F30120**

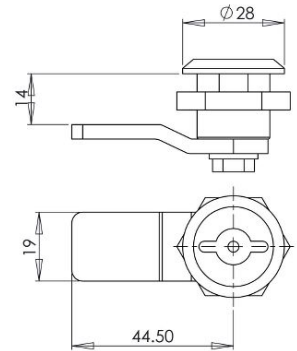
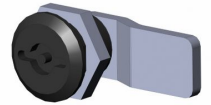
Lock with polyamide cylinder  
 Colour: black closing  
 User for material thickness 20 mm



**B1050-001315** **NEW**

**F30114**

Lock with polyamide cylinder  
 Colour: black closing  
 User for material thickness 14 mm



## Metal locks

**B1050-000149** **NEW**

**F30151**

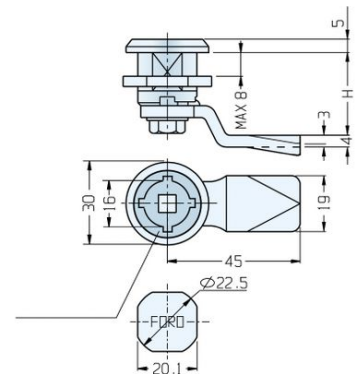
Key for metal lock  
 Colour: black



**B1050-001330** **NEW**

**F30230**

Lock with metal cylinder, H=30mm  
 Colour: grey closing



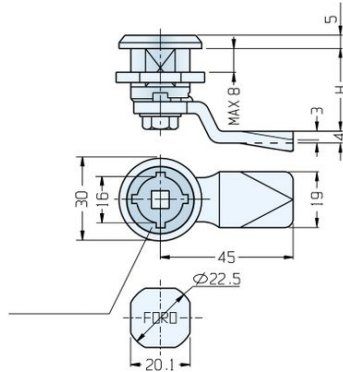


## Metal locks

**B1050-000150** **NEW**

**F30228**

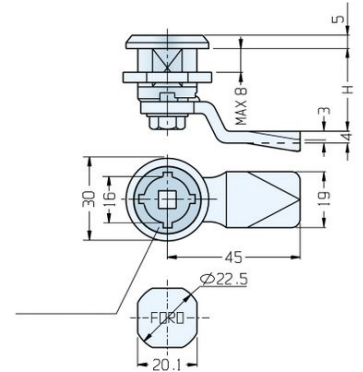
Lock with metal cylinder, H=28mm  
Colour: grey closing



**B1050-001328** **NEW**

**F30225**

Lock with metal cylinder, H=25mm  
Colour: grey closing

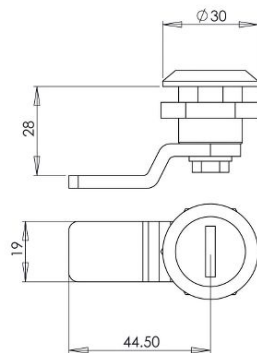
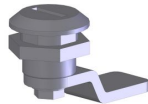


## Locks with key

**B1050-001318** **NEW**

**F30127**

Lock with key  
Material: metal  
finishing: galvanized steel  
User for material thickness 18 mm



# HINGES

The "Hinges" section includes all the components currently manufactured by Lpm Group and available in stock.

All components in this section are in RAL 7039 colour if they are polyamide accessories.

The Polyamide Polymer "6" is reinforced with fiberglass and contains a percentage of elastomer which improves its resistance to deformation, without making it elastic, and avoiding the resulting brittle fracture.

The aluminium components are supplied with anodising treatments available for aluminium profiles:

- silver anodised
- elox anodised

The hinge pins are all made of AISI 304 stainless steel.

The Polyamide Polymer "6" is reinforced with fiberglass and contains a percentage of elastomer which improves its resistance to deformation, without making it elastic, and avoiding the resulting brittle fracture.

*The technical characteristics and sizes of products are indicative as they may vary and be subject to functional changes based on enhancements and production issues, which are the sole responsibility of Lpm Group.*

## **Technical characteristics - aluminium products**

Product material: Aluminium alloy P-ALMg 0.5 Si 0.4 Fe UNI 9006/1-88

Supply condition: Hardened and tempered (T5)

Standard finish: Silver anodised for aluminium components

## **Technical characteristics - polyamide products**

Product material: Partially crystalline thermoplastic material

Standard finish: RAL 7039 for polyamide components

Mechanical characteristics:

- high fatigue strength
- resistance to wear
- Highly shock-resistant
- Self-lubricating bushings on the pin

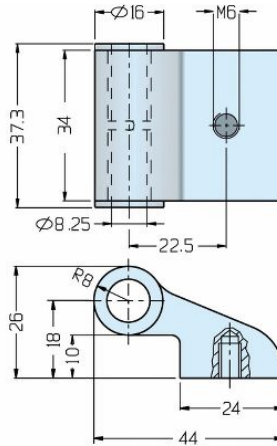
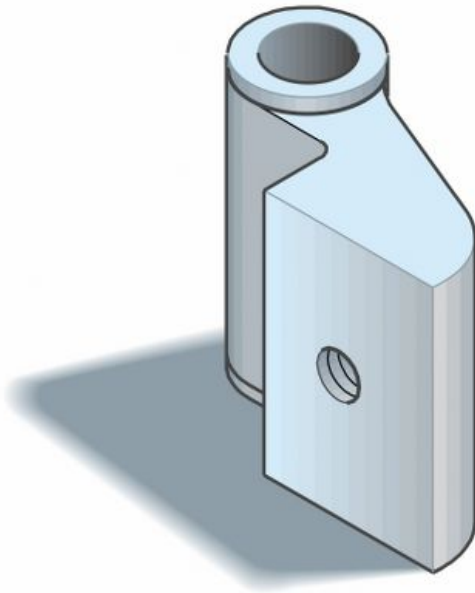
Thermal characteristics: VICAT (softening point) 215°C

Supply conditions: In a package only where indicated on the specific component.

Door hinge

**B1050-000897 NEW**

**N50114**



Anodised aluminum angle hinge with L16103 bushelNGS without pin hole

Weight: 0.048 Kg

Finish: silver anodised

Parts



Cod. N50122  
B1050-000899 **NEW**  
Hinge U-shaped support in anodised aluminum



Cod. N30124  
B1080-000106 **NEW**  
Pin Aisi 304 for hinge Dia. 8x55



Cod. F10538  
B1080-000445 **NEW**  
Stainless steel socket head cap screw M6x20 T=4

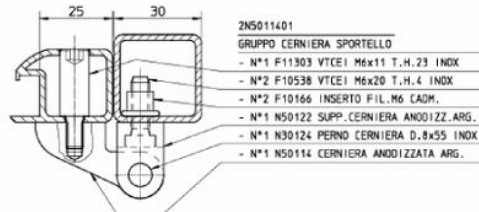


Cod. F11303  
B1080-000209 **NEW**  
Captive screw M6 x 11 T.H. 23mm

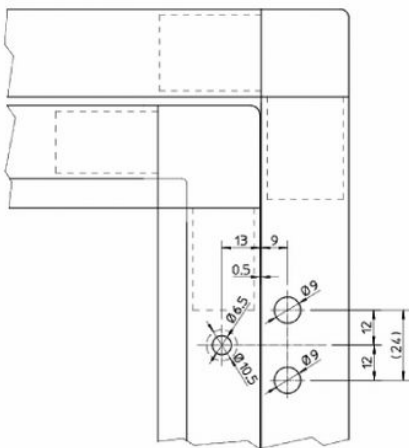
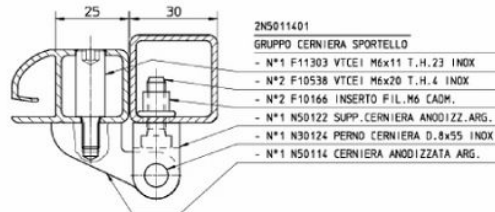
Assembly example

Montaggio CERNIERA SU SPORTELLINO C/GUARN. - S/GUARN.

Sez. con Montaggio Cerniera C/G

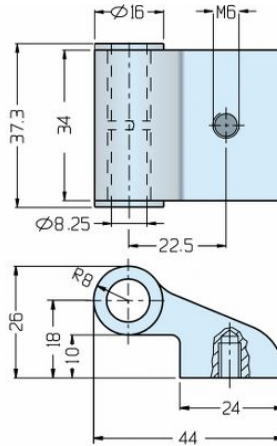
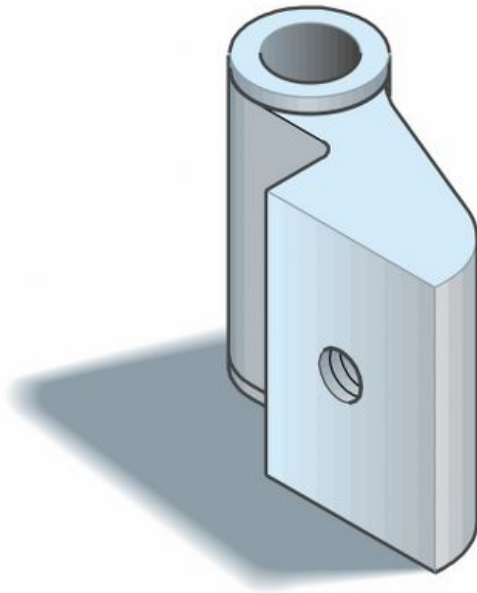


Sez. con Montaggio Cerniera S/G



# Door hinge pre-arranged for microswitch

**B1050-002125 NEW N50115**



Anodised aluminum angle hinge with L16103 bushings with pin hole

Weight: 0.048 Kg

Finish: silver anodised

## Parts



Cod. N50122  
B1050-000899 **NEW**  
Hinge U-shaped  
support in anodised  
aluminum



Cod. N30124  
B1080-000106 **NEW**  
Pin Aisi 304 for hinge  
Dia. 8x55



Cod. F10538  
B1080-000445 **NEW**  
Stainless steel socket  
head cap screw M6x20  
T=4

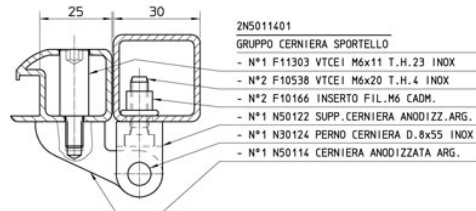
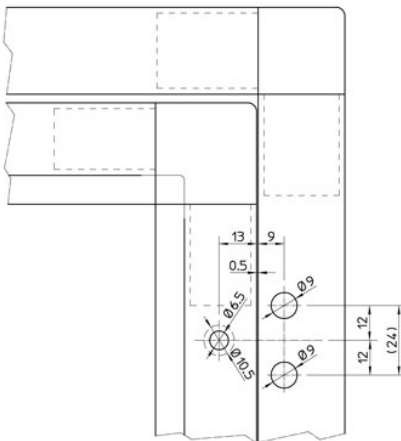


Cod. F11303  
B1080-000209 **NEW**  
Captive screw M6 x 11  
T.H. 23mm

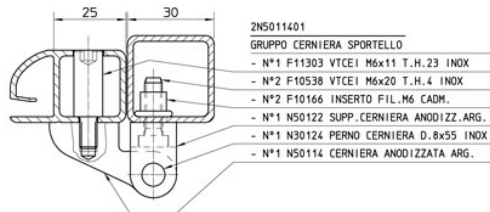
## Assembly example

### Montaggio CERNIERA SU SPORTELLO C/GUARN. - S/GUARN.

Sez. con Montaggio Cerniera C/G

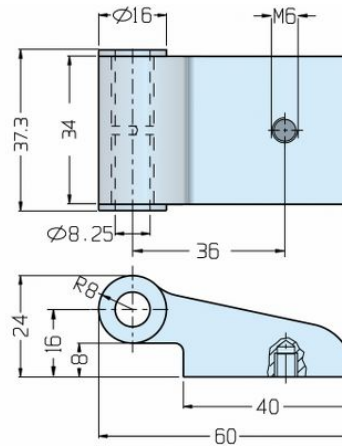
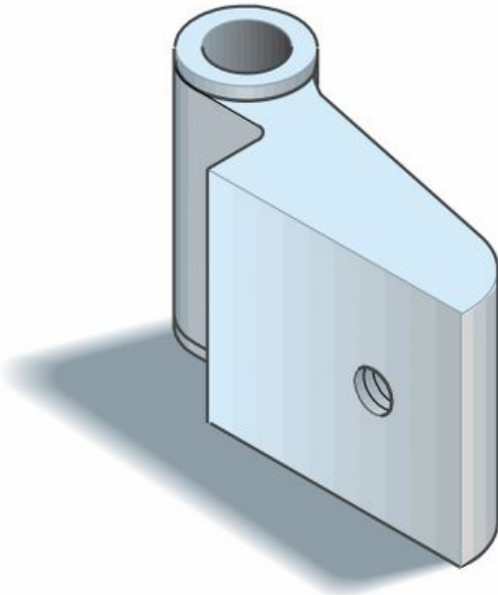


Sez. con Montaggio Cerniera S/G



# Aluminum hinge for glass/ sheet pre-arranged for microswitch

**B1050-002128 NEW N50117**



Anodised aluminum angle hinge with L16103 bushings with pin hole

Weight: 0.070 Kg

Finish: silver anodised

## Parts



Cod. F12706  
B1080-000033 NEW  
Black Polyethylene washer dia. 30 / dia. 6.2 mm H 1.8mm



Cod. N50122  
B1050-000899 NEW  
Hinge U-shaped support in anodised aluminum



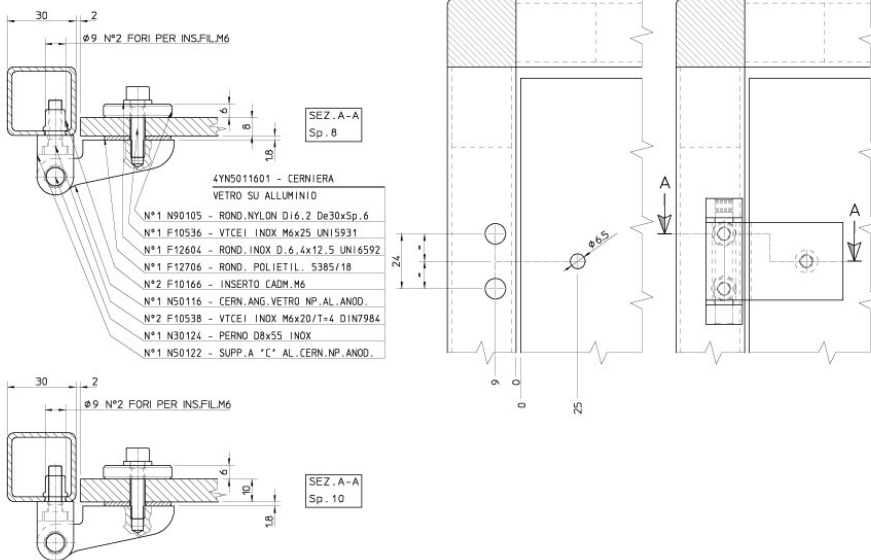
Cod. N30124  
B1080-000106 NEW  
Pin Aisi 304 for hinge Dia. 8x55



Cod. F10538  
B1080-000445 NEW  
Stainless steel socket head cap screw M6x20 T=4

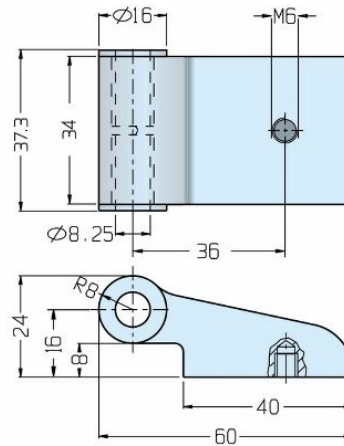
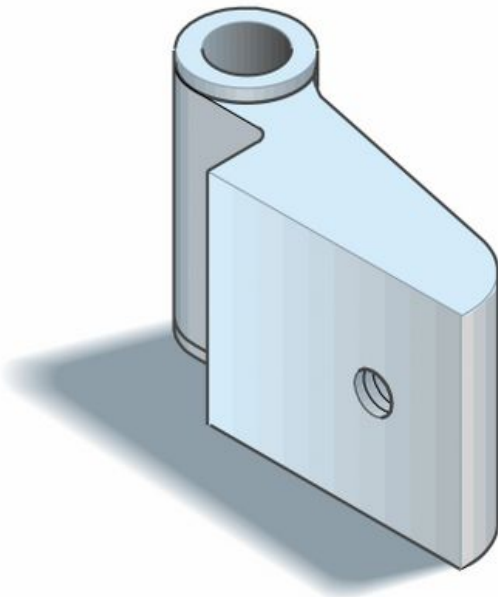
## Assembly example

Montaggio CERNIERA SU TELAIO IN ALLUMINIO E SPORTELLO MATERIALE PLASTICO Sp.8 E 10



# Aluminum hinge for glass/sheet

**B1050-000951 NEW** **N50116**



Anodised aluminum angle hinge with L16103 bushings without pin hole  
**Weight: 0.070 Kg**  
**Finish: silver anodised**

## Parts



Cod. **F12706**  
 B1080-000033 **NEW**  
 Black Polyethylene washer dia. 30 / dia. 6.2 mm H 1.8mm



Cod. **N50122**  
 B1050-000899 **NEW**  
 Hinge U-shaped support in anodised aluminum



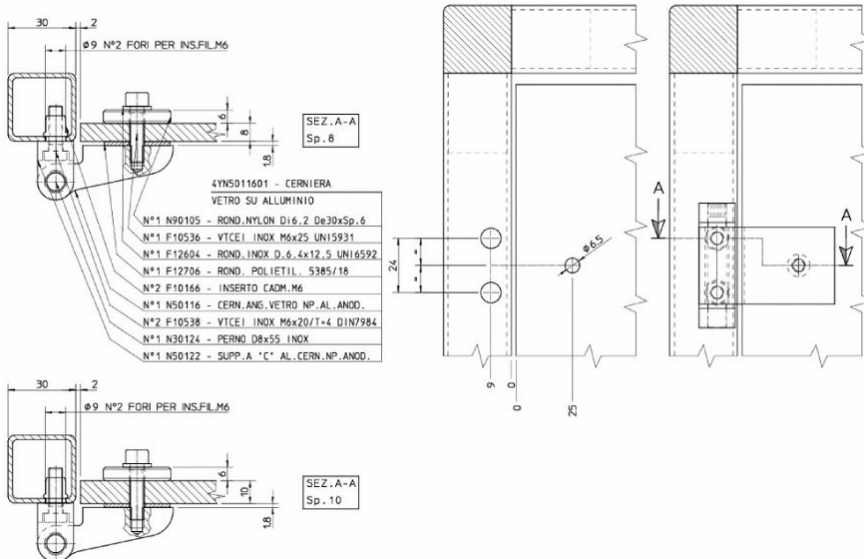
Cod. **N30124**  
 B1080-000106 **NEW**  
 Pin Aisi 304 for hinge Dia. 8x55



Cod. **F10538**  
 B1080-000445 **NEW**  
 Stainless steel socket head cap screw M6x20 T=4

## Assembly example

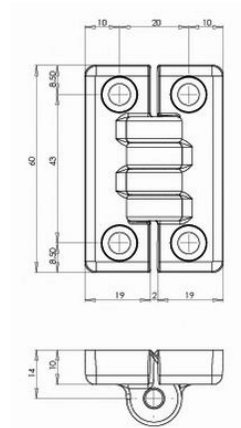
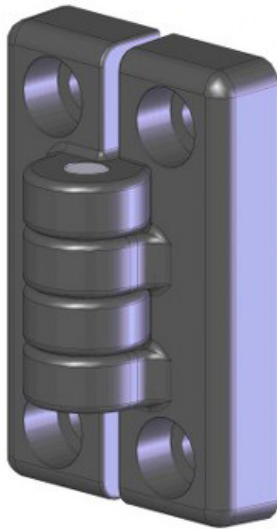
Montaggio CERNIERA SU TELAIO IN ALLUMINIO E SPORTELLO MATERIALE PLASTICO Sp.8 E 10



**Polyamide door hinge 60x40x22mm**

**B1050-000873 NEW**

**F31173A**



**Polyamide hinge assembled**

**Color: RAL 7039**

**Weight: 0,038 Kg**

**Deliverycondition: box with 10 pieces**

**Parts**



Cod. **L19180A**  
B1050-001971 **NEW**  
Polyamide RAL7039  
semi-hinge, 60x19x10



Cod. **L19180A**  
B1050-001971 **NEW**  
Polyamide RAL7039  
semi-hinge, 60x19x10



Cod. **L19181A**  
B1010-144730 **NEW**  
Semi-hinge spacer for  
L19180A thickness  
4mm



Cod. **N30158**  
B1080-001517 **NEW**  
Stainless steel pin  
D6x30

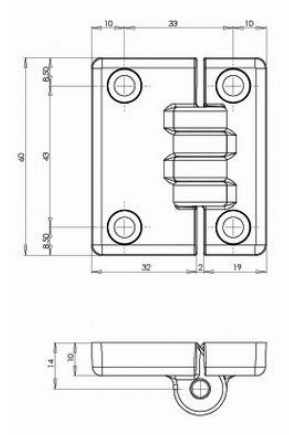
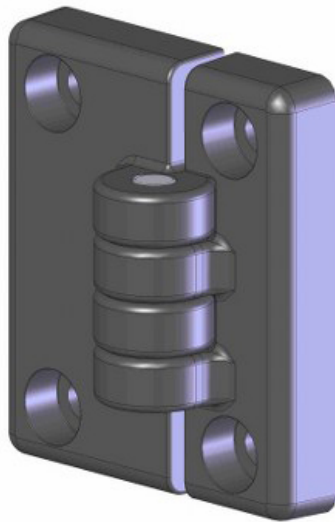


Cod. **F10534**  
B1080-000443 **NEW**  
Stainless steel socket  
head cap screw M6x16

# Polyamide door hinge 60x53x22mm

**B1050-001363** **NEW**

**F31174A**



**Polyamide hinge assembled**

**Color: RAL 7039**

**Weight: 0,047 Kg**

**Deliverycondition: box with 10 pieces**

## Parts



Cod. **L19180A**  
B1050-001971 **NEW**  
Polyamide RAL7039  
semi-hinge, 60x19x10



Cod. **L19182A**  
B1050-001972 **NEW**  
Polyamide RAL7039  
semi-hinge, 60x32x10



Cod. **L19181A**  
B1010-144730 **NEW**  
Semi-hinge spacer for  
L19180A thickness  
4mm



Cod. **L19183A**  
B1010-144731 **NEW**  
Semi-hinge spacer for  
L19182A thickness  
4mm



Cod. **N30158**  
B1080-001517 **NEW**  
Stainless steel pin  
D6x30



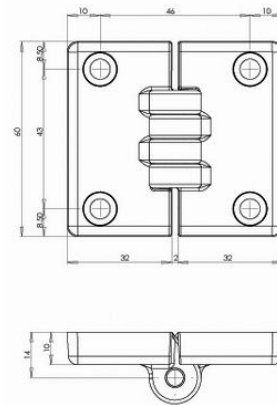
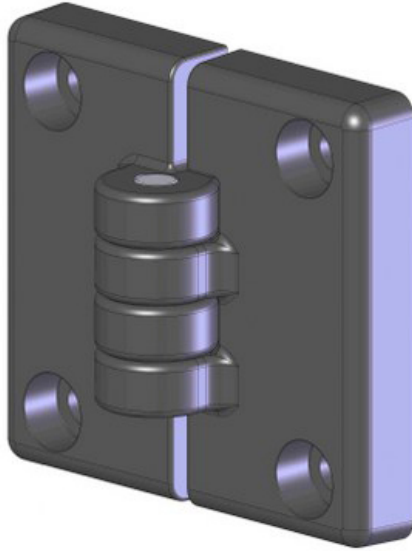
Cod. **F10534**  
B1080-000443 **NEW**  
Stainless steel socket  
head cap screw M6x16



# Polyamide hinge 60x66x22mm

**B1050-001364** **NEW**

**F31175A**



**Polyamide hinge assembled**

**Finish: colour RAL 7039**

**Weight: 0,057 Kg**

**Delivery condition: box with 10 pieces**

**Note: competens to use aluminium profile Q.45mm, Q90mm and 45x90mm (structural line) with glass/plastic material doors or same section aluminium profile door.**

## Parts



Cod. **L19182A**  
B1050-001972 **NEW**  
Polyamide RAL7039  
semi-hinge, 60x32x10



Cod. **L19182A**  
B1050-001972 **NEW**  
Polyamide RAL7039  
semi-hinge, 60x32x10



Cod. **L19183A**  
B1010-144731 **NEW**  
Semi-hinge spacer for  
L19182A thickness  
4mm



Cod. **N30158**  
B1080-001517 **NEW**  
Stainless steel pin  
D6x30



Cod. **F10534**  
B1080-000443 **NEW**  
Stainless steel socket  
head cap screw M6x16



Cod. **F10545**  
B1080-001177 **NEW**  
Stainless steel socket  
head cap screw M6x18



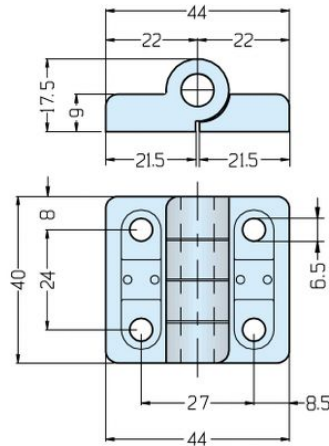
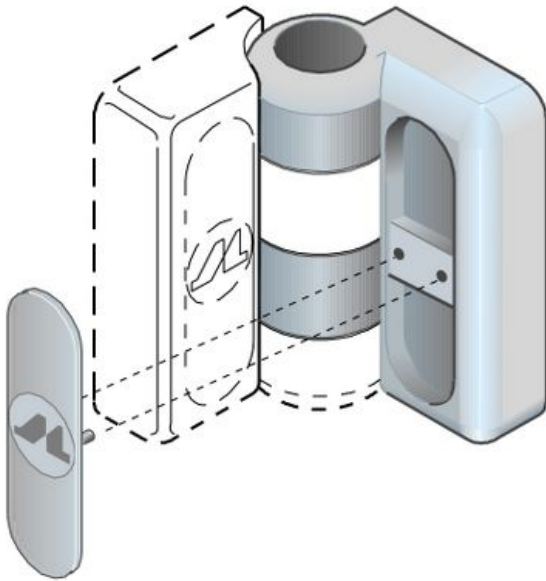
Cod. **N90209**  
B1080-000118 **NEW**  
M6 threaded bushing  
in Aisi 304



Cod. **F12707**  
B1080-001294 **NEW**  
Black Polyethylene  
washer dia. 20 / Dia.  
10 mm

# Polyamide folding door hinge

**B1050-001970** **NEW** **L19179**



Polyamide folding door semi-hinge complete with hole caps  
 Finish: colour RAL 7039  
 Weight: 0.011 Kg

## Parts

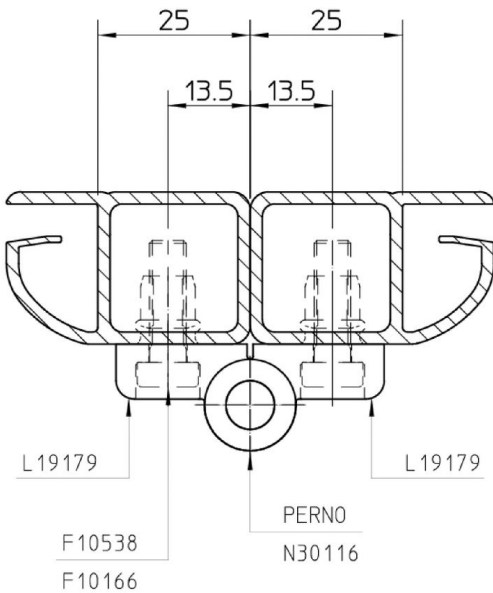


Cod. **N30116**  
 B1080-001495 **NEW**  
 Pin D8x40 FE



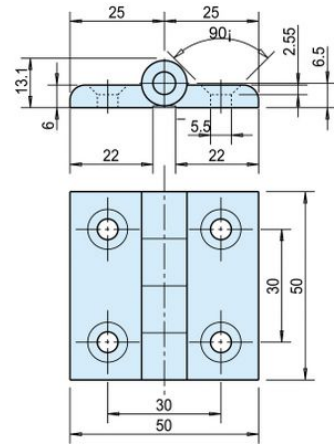
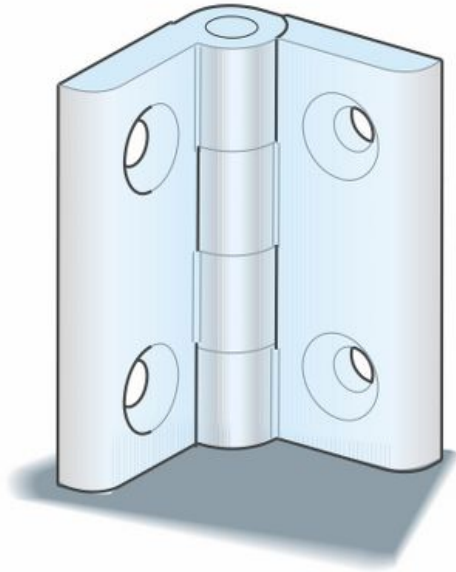
Cod. **F10538**  
 B1080-000445 **NEW**  
 Stainless steel socket  
 head cap screw M6x20  
 T=4

## Assembly example



# Aluminum folding door hinge

**B1050-001467** **NEW** **F70122**



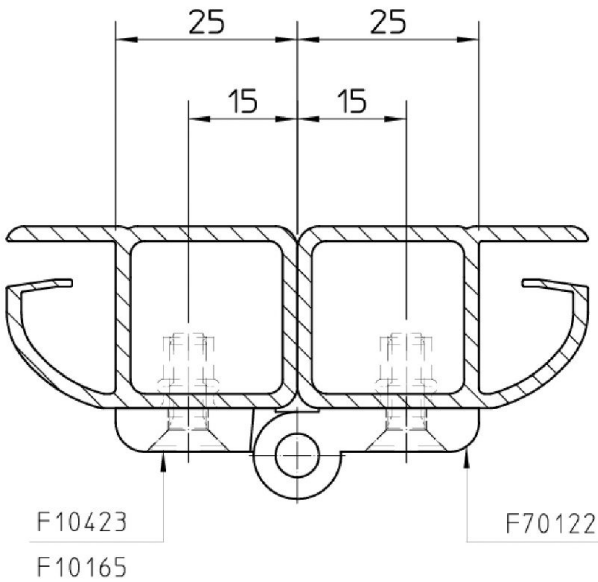
Aluminum folding door hinge  
 Weight: 0.050 Kg  
 Finish: silver anodised

## Parts



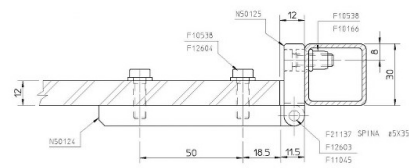
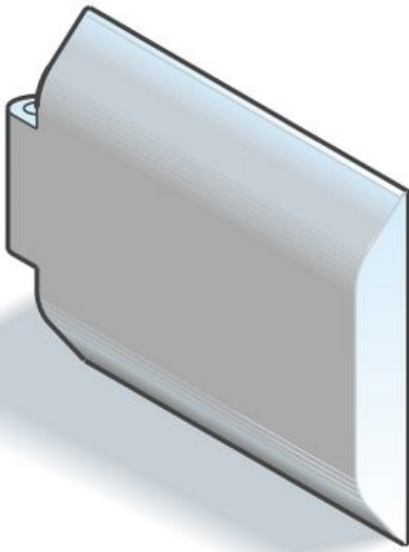
Cod. **F10423**  
 B1080-000646 **NEW**  
 Stainless steel  
 countersunk socket  
 screw M5x16

## Assembly example



# Plain hinge for sheet

**B1050-000904 NEW N50124**



**Plain hinge**  
**Weight: 0.122 Kg**  
**Finish: silver anodised**

## Parts

Cod. **N50125**  
 B1050-002133 **NEW**  
 Plain hinge U-shaped  
 support, anodised



Cod. **F21137**  
 0000001566 **NEW**  
 CYLINDRICAL  
 PLUG.TEM.D 5h6X  
 35 UNI6364A

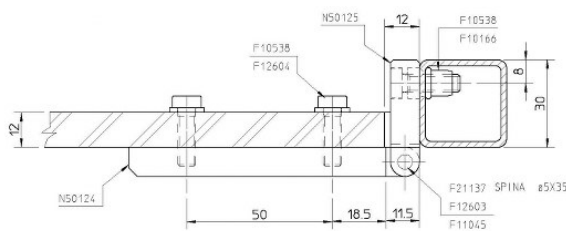


Cod. **F11045**  
 B1080-000800 **NEW**  
 Grub screw M6X6 UNI  
 5927 A2-70



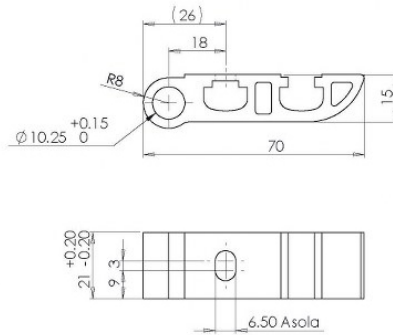
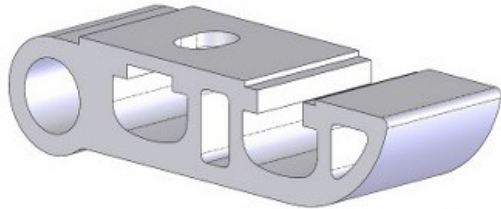
Cod. **F12603**  
 B1080-001277 **NEW**  
 Stainless steel washer  
 D5.3x10

## Assembly example



# Hinge support for A40777 profile

**B1050-002138** **NEW** **N50128**



## Sheet Hinge support for A40777 (MP97) profile

Height dimension: 21mm

Weight: Kg

Finish: silver anodised

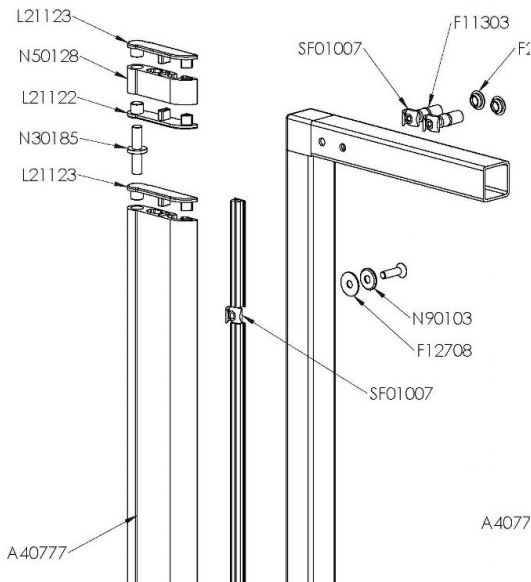
Delivery condition: In stock

Note: Solution created for frame with aluminium tubular Q.30mm

### Parts

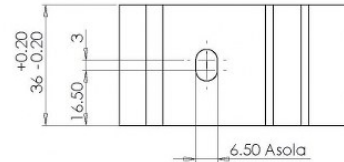
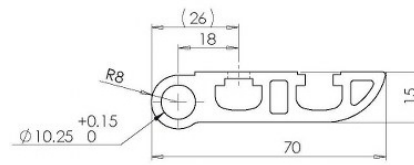
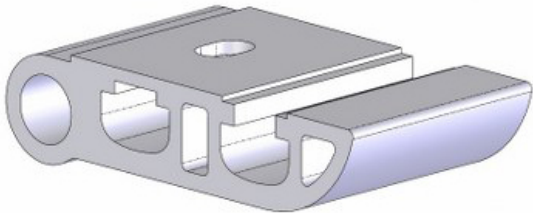
 Cod. <b>L21123</b> B1050-001986 <b>NEW</b> Right cover cap for MP97 profile	 Cod. <b>L21122</b> B1050-001985 <b>NEW</b> Left cover cap for MP97 profile	 Cod. <b>N30185</b> B1080-001525 <b>NEW</b> Hinge pin D.8/D.16mm H=40mm	 Cod. <b>A40777</b> Aluminium profile MP97	 Cod. <b>SF05006</b> Seal for profile type MP97/MP98
--	---	--	--	--

### Assembly example



# Hinge support for A40777 profile

**B1050-002139 NEW**      **N50129**



## Sheet Hinge support for A40777 (MP97) profile

Height dimension: 36mm

Weight: Kg

Finish: silver anodised

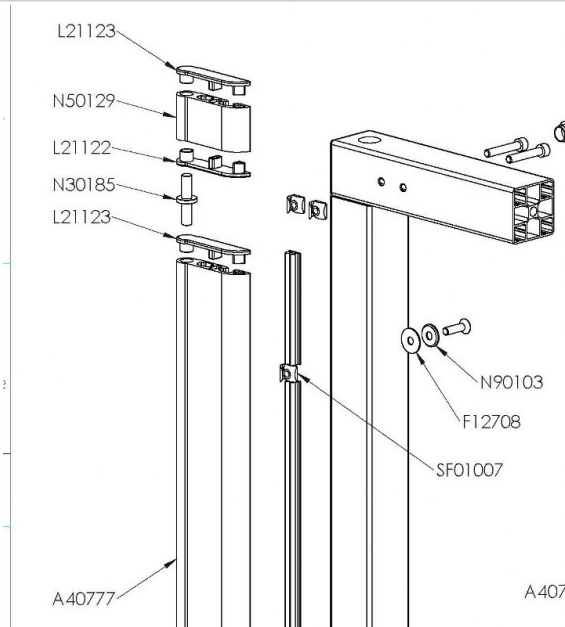
Delivery condition: In stock

Note: Solution utilized with Q.45 series structural profile

### Parts

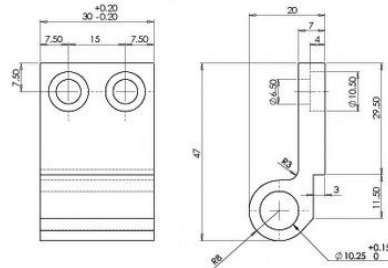
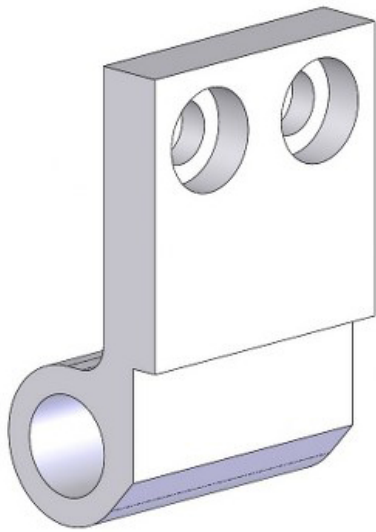
 <p>Cod. <b>L21123</b> B1050-001986 <b>NEW</b> Right cover cap for MP97 profile</p>	 <p>Cod. <b>L21122</b> B1050-001985 <b>NEW</b> Left cover cap for MP97 profile</p>	 <p>Cod. <b>N30185</b> B1080-001525 <b>NEW</b> Hinge pin D.8/D.16mm H=40mm</p>	 <p>Cod. <b>A40777</b> Aluminium profile MP97</p>	 <p>Cod. <b>SF05006</b> Seal for profile type MP97/MP98</p>
---	--	--	---	---

### Assembly example



# Hinge support for A40777 profile

**B1050-002140 NEW N50130**



Sheet Hinge support for sheet materiale realized by A40777 (MP97) profile

Height dimension: 30mm

Weight: Kg

Finish: silver anodized

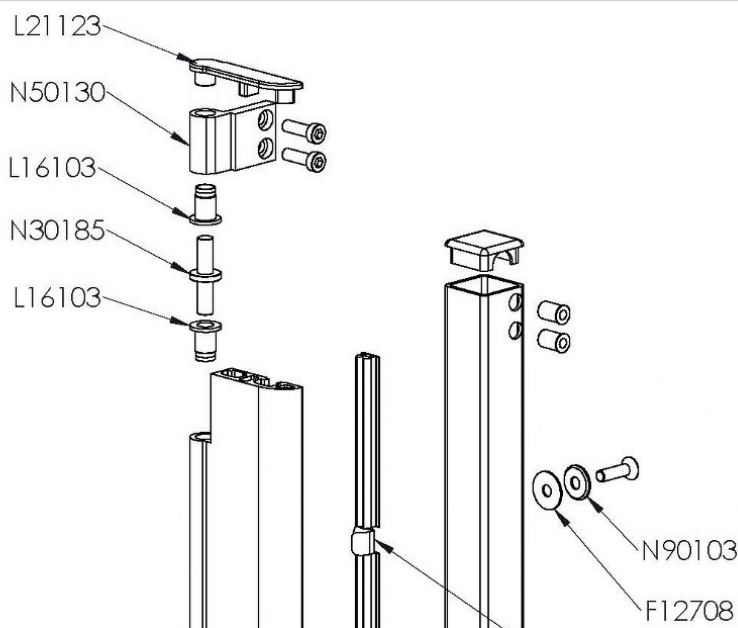
Delivery condition: In stock

Note: Solution utilized with Q30 series tubular profile and Q.45 series structural profile. The solution the opportunity to have plastic sheet material in the same level of the frame (not in evidence)

## Parts

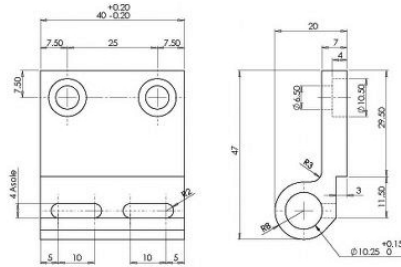
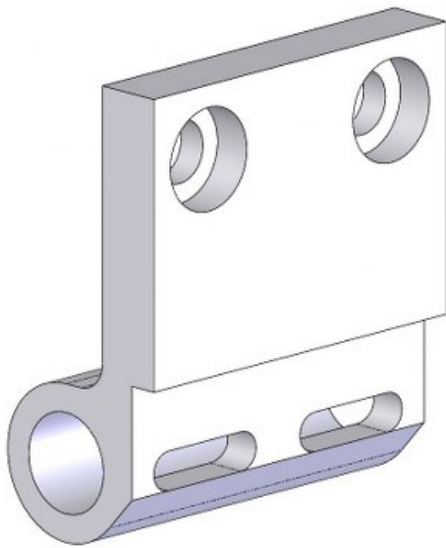
 Cod. L21123 B1050-001986 <b>NEW</b> Right cover cap for MP97 profile	 Cod. L21122 B1050-001985 <b>NEW</b> Left cover cap for MP97 profile	 Cod. N30185 B1080-001525 <b>NEW</b> Hinge pin D.8/D.16mm H=40mm	 Cod. A40777 Aluminium profile MP97	 Cod. SF05006 Seal for profile type MP97/MP98
 Cod. L16103 B1080-001395 <b>NEW</b> Hinge bushing H=18	 Cod. F10538 B1080-000445 <b>NEW</b> Stainless steel socket head cap screw M6x20 T=4			

## Assembly example



Hinge support for A40777 profile

**B1050-002141** **NEW** **N50131**



Central Sheet Hinge support. Solution only with plastic sheet and A40777 (MP97) profile.

Height dimension: 40mm

Weight: Kg

Finish: silver anodized

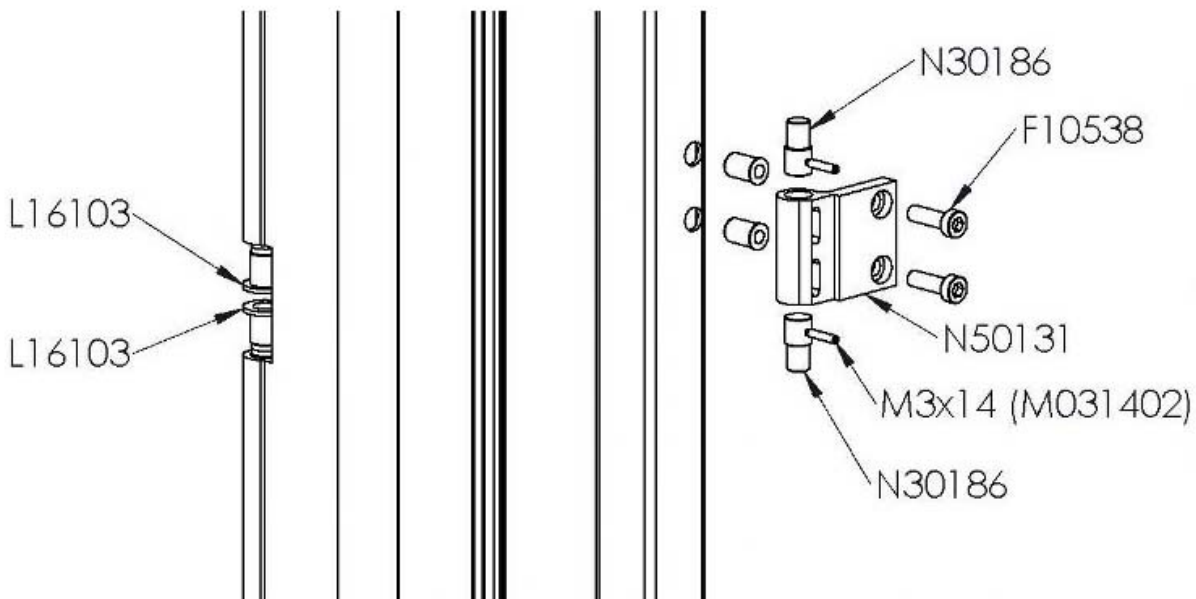
Delivery condition: In stock

Note: Solution utilized with Q30 series tubular profile and Q.45 series structural profile. The solution the opportunity to have plastic sheet material in the same level of the frame (not in evidence)

Parts

 <p>Cod. <b>L21123</b> B1050-001986 <b>NEW</b> Right cover cap for MP97 profile</p>	 <p>Cod. <b>L21122</b> B1050-001985 <b>NEW</b> Left cover cap for MP97 profile</p>	 <p>Cod. <b>N30186</b> B1080-001526 <b>NEW</b> Hinge pin D.8/D.16mm H=20mm</p>	 <p>Cod. <b>A40777</b> Aluminium profile MP97</p>	 <p>Cod. <b>SF05006</b> Seal for profile type MP97/MP98</p>
 <p>Cod. <b>L16103</b> B1080-001395 <b>NEW</b> Hinge bushing H=18</p>	 <p>Cod. <b>F10538</b> B1080-000445 <b>NEW</b> Stainless steel socket head cap screw M6x20 T=4</p>	 <p>Cod. <b>M031402</b> Wheat M3x14 UNI-5923</p>		

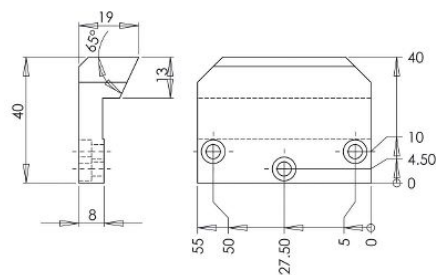
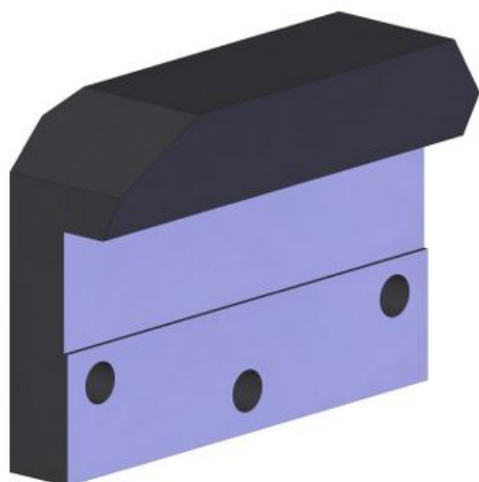
Assembly example





■ Door stop (90°)

**B1010-075687** **NEW** **N20779**



Door opening stop at 90°  
 Material: polizene 1000  
 Color: black

Parts

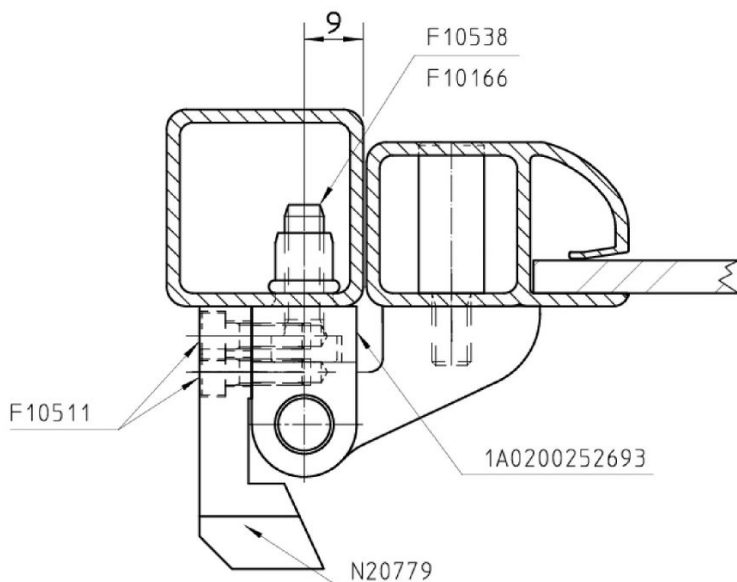


Cod. **F10512**  
 B1080-001164 **NEW**  
 Stainless steel socket  
 head cap screw M4x14



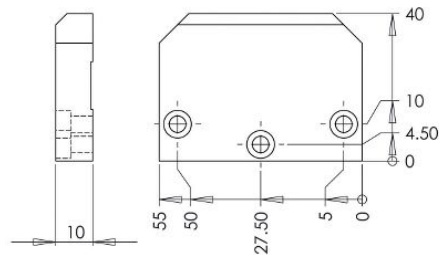
Cod. **N20778**  
 B1050-002083 **NEW**  
 Support N501222 with  
 fastening holes for  
 opening stop lock

Assembly example



# Door stop (120°)

**B1050-002082** **NEW** **N20777**



**Door opening stop at 120°**  
**Material: polizene 1000**  
**Color: black**

## Parts

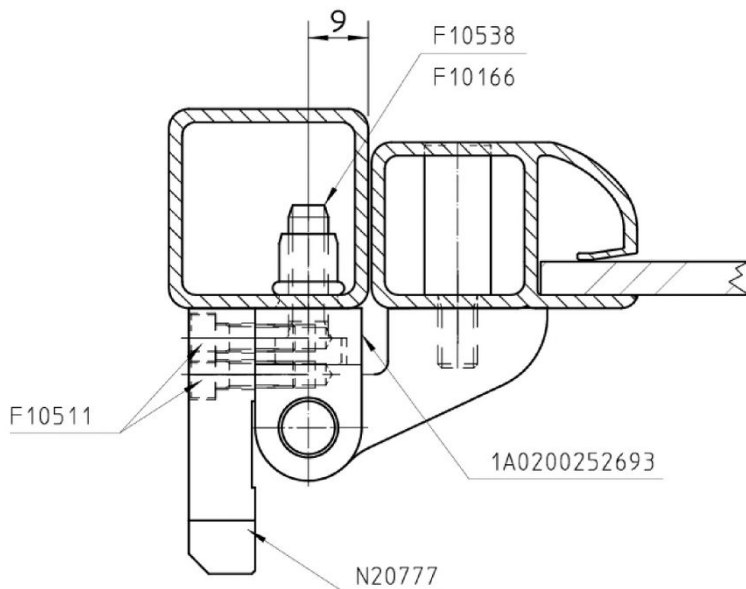


Cod. **F10512**  
 B1080-001164 **NEW**  
 Stainless steel socket  
 head cap screw M4x14



Cod. **N20778**  
 B1050-002083 **NEW**  
 Support N501222 with  
 fastening holes for  
 opening stop lock

## Assembly example



# GAS SPRINGS

## Technical characteristics

The hydropneumatic gas springs consist of a cylinder containing compressed nitrogen gas, isolated by means of a special sealing device, and a connecting rod.

The extension speed depends on the cross-section of the cylinder (or piston); some models include a mechanical opening block system.

In addition to nitrogen, the internal chamber of the springs is filled with a quantity of oil that guarantees not only excellent lubrication of the system but also end of stroke damping.

The springs need no maintenance and are tested for at least 50,000 strokes.

### **Installation:**

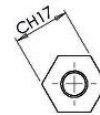
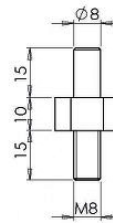
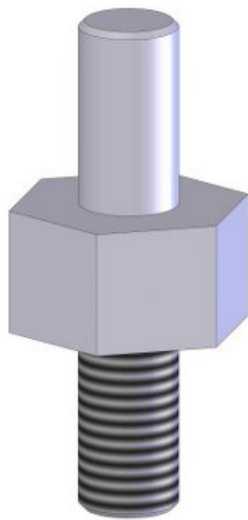
- use the special fittings
- avoid lateral stress
- it is advisable to fit with the rod facing downwards

*The technical characteristics and sizes of products are indicative as they may vary and be subject to functional changes based on enhancements and production issues, which are the sole responsibility of Lpm Group.*

## Stainless steel spring gas pin

**B1080-001506** NEW

**N30141**



Stainless steel pin, tool CH17

Finish: butter-finished

Weight: 0.020 Kg

### Parts



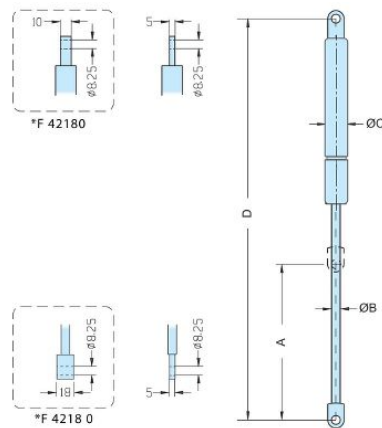
Cod. **N90810**  
B1080-001537 NEW  
Locking ring for 8mm  
pin



Cod. **F11035**  
B1080-001218 NEW  
Stainless steel CE  
grub screw

Gas spring

**B1050-001405** **NEW** **F42180**

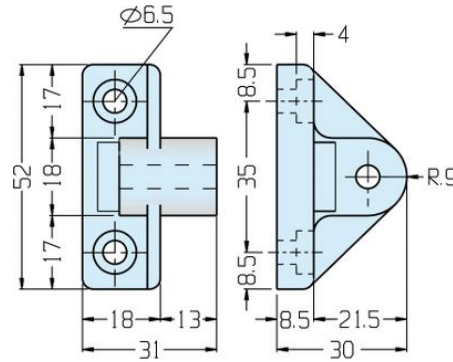
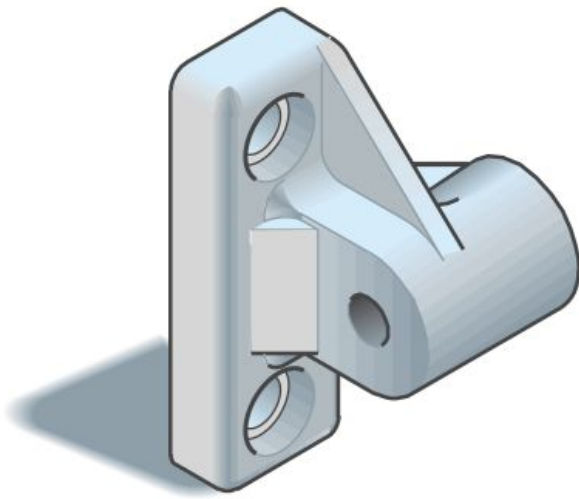


Code	A	ØB	ØC	D	Weight	Flow N
F 42110	85	8	19	254,5	0,165	100N
F 42112	200	8	19	485	0,240	100N
F 42120	200	8	19	485	0,240	200N
F 42125	85	8	19	254,5	0,165	200N
F 42225	133	8	19	354	0,180	250N
F 42132	200	8	19	485	0,240	300N
F 42135	85	8	19	254,5	0,165	300N
F 42142	200	8	19	485	0,240	400N
F 42162	200	8	19	485	0,240	600N
*F 42180	245	10	22	600	0,515	800N

# Gas spring support

**B1050-001957 NEW**

**L19142**



**Polyamide gas spring support**  
**Finish: colour RAL 7039**  
**Weight: 0.020 Kg**

## Parts



Cod. **F10538**  
**B1080-00445 NEW**  
 Stainless steel socket head cap screw M6x20 T=4



Cod. **F10166**  
**B1080-001067 NEW**  
 M6 threaded insert



Cod. **N30131**  
**B1080-001504 NEW**  
 Stainless steel gas spring pin D8/D6



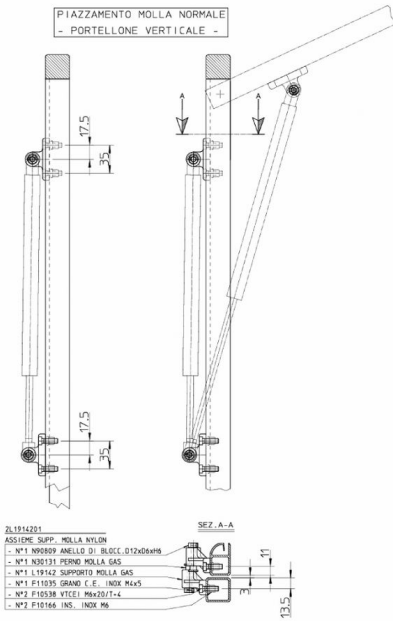
Cod. **N90809**  
**B1080-001536 NEW**  
 Locking ring for 6mm pin



Cod. **F11035**  
**B1080-001218 NEW**  
 Stainless steel CE grub screw

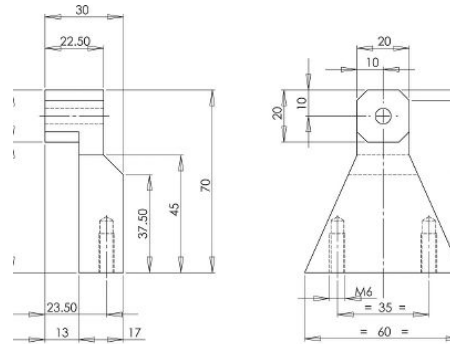
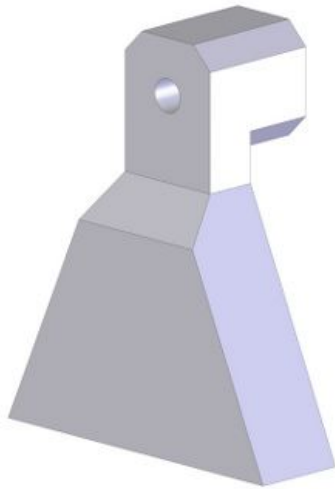
## Assembly example

PIAZZAMENTO MOLLA NORMALE  
 - PORTELLONE VERTICALE -



# Aluminum gas spring support

**B1010-094523 NEW 1A0200251221**



Aluminum gas spring support

## Parts



Cod. **F11303**  
B1080-000209 **NEW**  
Captive screw M6 x 11  
T.H. 23mm



Cod. **N30131**  
B1080-001504 **NEW**  
Stainless steel gas  
spring pin D8/D6

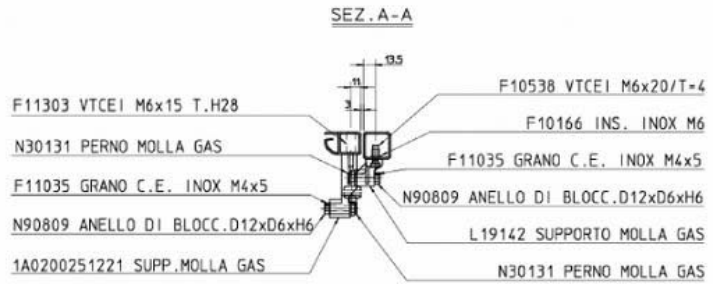
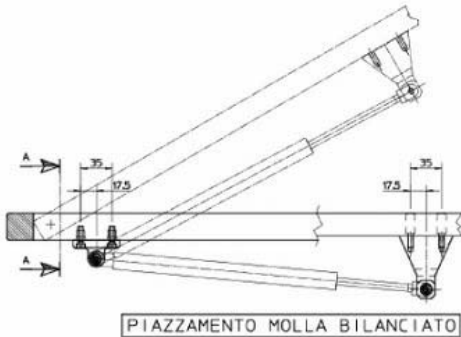


Cod. **N90809**  
B1080-001536 **NEW**  
Locking ring for 6mm  
pin



Cod. **F11035**  
B1080-001218 **NEW**  
Stainless steel CE  
grub screw

## Assembly example



# HINGE-OPERATED SAFETY SWITCHES

The key microswitch models presented are supplied by the manufacturer in accordance with the main regulations in force and represent the best solution for guard locking as they prevent tampering and therefore improper use, if properly designed.

The forced opening contacts comply with safety regulations IEC 337, IEC 947-5-1, VDE0660 part 206, NFC63-143.

*The technical characteristics, sizes and especially weights of products are indicative as they may vary and be subject to functional changes based on enhancements and production issues, which are the sole responsibility of Lpm Group.*

*Product specifications and dimensions are indicative and they are the responsibility of supplier Pizzato, who reserves the right to make functional changes based on enhancements and component use in accordance with the laws in force.*

*In any case, you can consult Pizzato catalogue at: [www.pizzato.it](http://www.pizzato.it)*

## **PIZZATO models - Product technical characteristics**

Operating temperature: from -25 °C to + 80°C

Operation heads and casing material: technopolymer with fiberglass, self extinguishing and shockproof

Operation positions: all positions

Protection class: IP 65

Mechanical life - operation instances: 20 million (6000/hour)

Rated thermal current: 10 A

Contact operation: 2NC+1NO

Power (alternate current AC 15): 250 V, 6A - 400 V, 3A - 500V, 1A

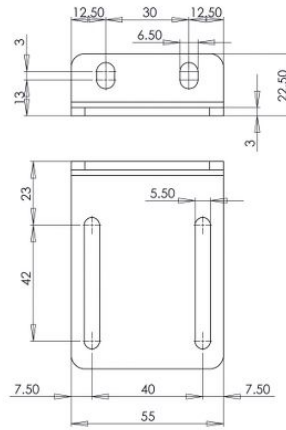
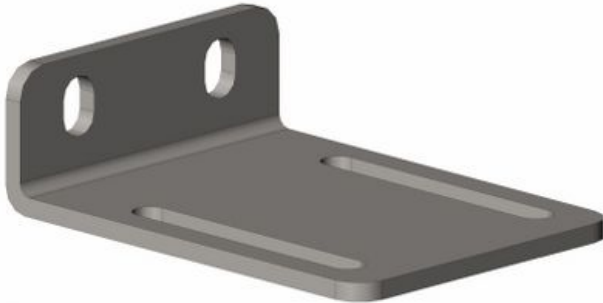
Power (direct current DC 13): 24V, 6A - 125V 1.1A - 250V, 0.4A



# Universal bayonet microswitch support

**B1010-144736** NEW

**N20703**



**Material: stainless steel Aisi 304**

**Weight: 0,104 Kg**

**Finish: blasted**

## Parts



Cod. **F10166**  
B1080-001067 **NEW**  
M6 threaded insert

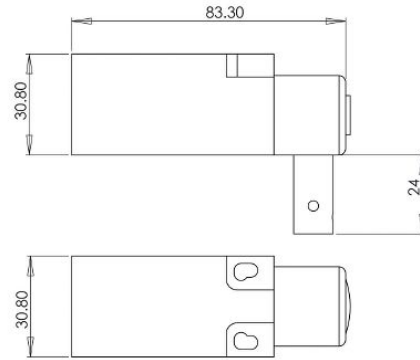
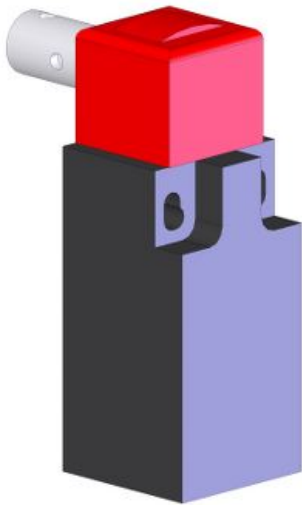


Cod. **F10538**  
B1080-000445 **NEW**  
Stainless steel socket  
head cap screw M6x20  
T=4



# Microswitch with pin

**B1050-000276** **NEW** **G20438**



**Pizzato microswitch (slow tripping) series FR2096-S1004**  
**Contacts 2NC + 1NO**  
**Weight: 0.085 kg**  
**Delivery condition: in stock**

## Parts



Cod. **N30122**  
 B1080-001500 **NEW**  
 Stainless steel pin  
 D8x78.5

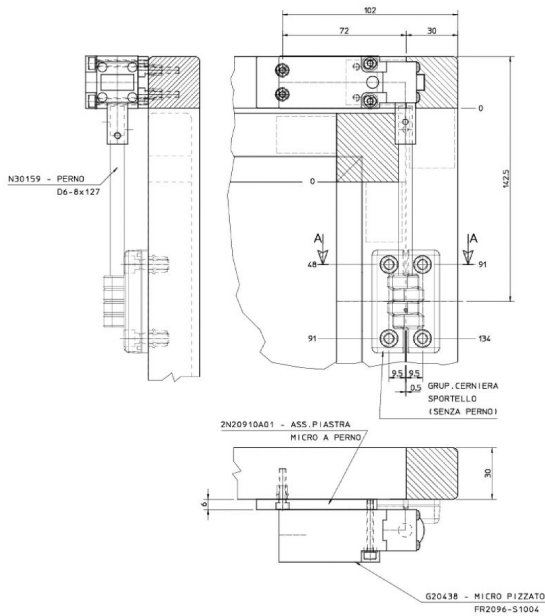


Cod. **N20910**  
 Polyamide support  
 for Pizzato  
 microswitch with pin



Cod. **N30159**  
 B1080-001518 **NEW**  
 Stainless steel pin, D  
 6mm L 127 mm

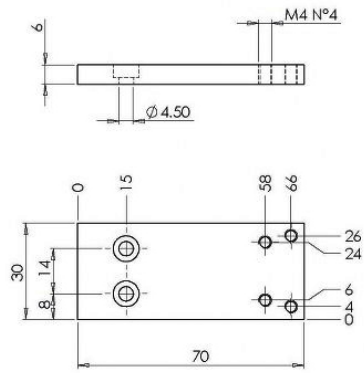
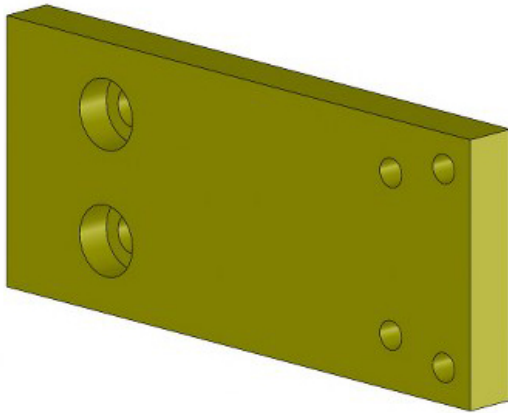
## Assembly example



■ Pizzato with pin microswitch polyamide support

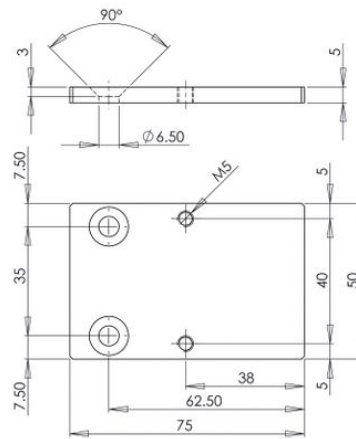
**B1010-144789** **NEW**

**N20910A**



**Material: Polyamide**  
**Color: RAL 7039**  
**Weight: 0,060 Kg**

## Flat bayonet microswitch support

**B1010-144737** **NEW**
**N20704**

**Material: flat aluminum**
**Dimensions: 50x75x5 mm**
**Weight:**
**Finish: shot-peened**

### Parts



Cod. **F10166**  
 B1080-001067 **NEW**  
 M6 threaded insert

# ACCESSORIES

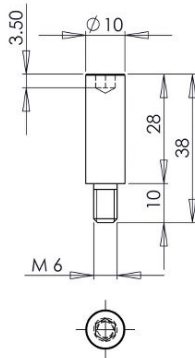
*Product specifications and dimensions are indicative as they may be subject to changes by the supplier.  
Lpm Group disclaims any responsibility for any differences found on the product.*

## Special screws

**B1080-001263** **NEW**

**F11309A**

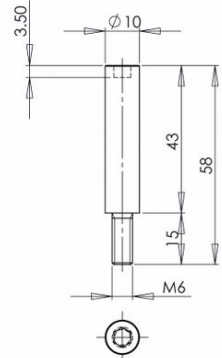
Special galvanised screw M6x10 H=28  
 Weight:  
 Delivery condition: In stock



**B1080-001261** **NEW**

**F11308A**

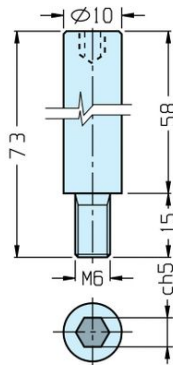
Special galvanised screw M6x15 H=43  
 Weight:  
 Delivery condition: In stock



**B1080-001259** **NEW**

**F11307A**

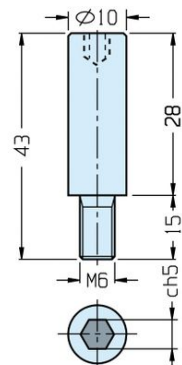
Special galvanised screw M6x15 H=58  
 Weight: 0.050 Kg  
 Delivery condition: In stock



**B1080-001253** **NEW**

**F11304A**

Special galvanised screw M6x15 H=28  
 Weight: 0.020 Kg  
 Delivery condition: In stock



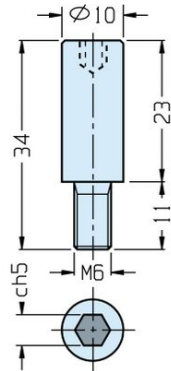
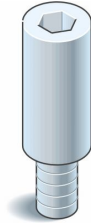
## Special screws

**B1080-001251** **NEW**

**F11303A**

Special galvanised screw M6x11 H=23

Weight: 0.015 Kg



## Captive screws

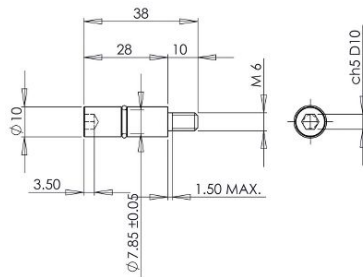
**B1080-001262** **NEW**

**F11309**

Captive screw M6x10 H=28

Weight:

Delivery condition: in stock.



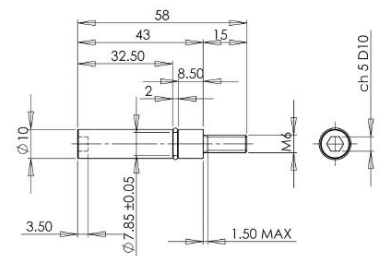
**B1080-001260** **NEW**

**F11308**

Galvanised captive screw M6x15 H=43

Weight:

Delivery condition: in stock.



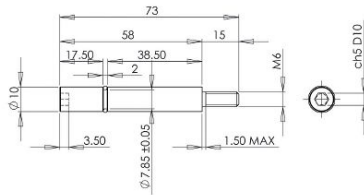


## Captive screws

**B1080-001258** **NEW**

**F11307**

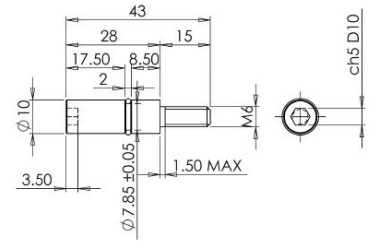
Captive screw M6x15 H=58  
 Weight: 0.050 Kg  
 Delivery condition: In stock



**B1080-001252** **NEW**

**F11304**

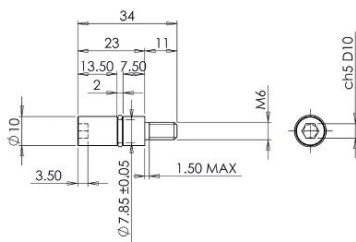
Galvanised captive screw M6x15 H=28  
 Weight: 0.020 Kg  
 Delivery condition: in stock.



**B1080-000209** **NEW**

**F11303**

Galvanised captive screw M6x11 H=23  
 Weight: 0.015 Kg  
 Delivery condition: in stock.

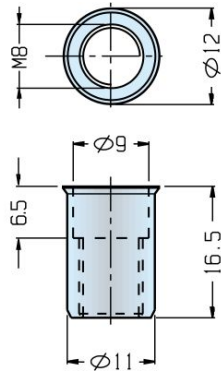


## Threaded inserts

**B1080-001078** **NEW**

**F10188**

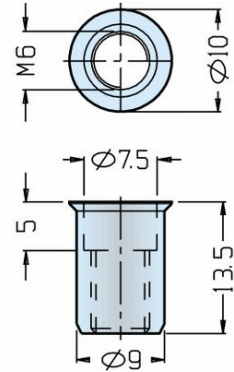
Stainless steel M8 threaded insert  
 Weight: 0.005 Kg  
 Status: available in warehouse



**B1080-001076** **NEW**

**F10186**

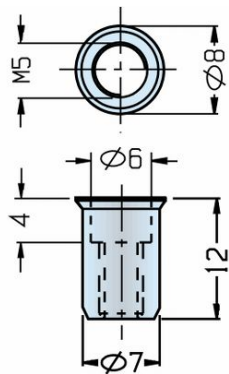
Stainless steel M6 threaded insert  
 Weight: 0.003 Kg  
 Status: available in warehouse



**B1080-001074** **NEW**

**F10185**

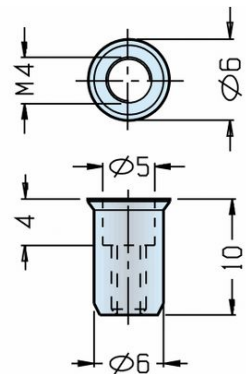
Stainless steel M5 threaded insert  
 Weight: 0.002 Kg  
 Status: available in warehouse



**B1080-001072** **NEW**

**F10184**

Stainless steel M4 threaded insert  
 Weight: 0,001 Kg  
 Status: available in warehouse



## Threaded inserts

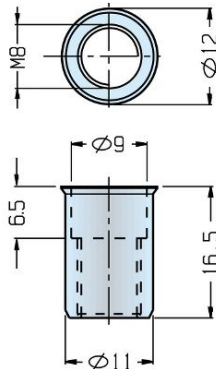
**B1080-001069** **NEW**

**F10168**

M8 threaded insert

Weight: 0.005 Kg

Status: available in warehouse



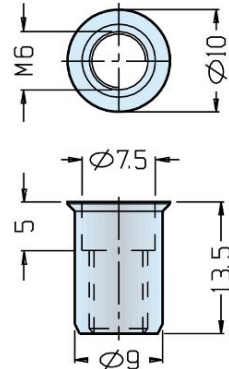
**B1080-001067** **NEW**

**F10166**

M6 threaded insert

Weight: 0.003 Kg

Status: available in warehouse



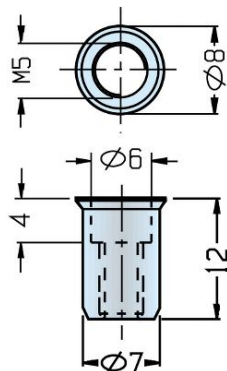
**B1080-001066** **NEW**

**F10165**

M5 threaded insert

Weight: 0.002 Kg

Status: available in warehouse



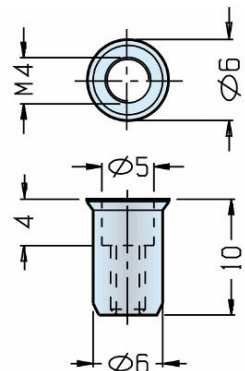
**B1080-001065** **NEW**

**F10164**

M4 threaded insert

Weight: 0.001 Kg

Status: available in warehouse



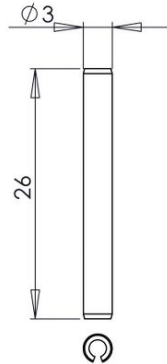
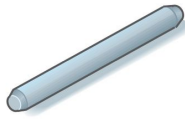
## Sundry accessories

**B1080-001328** **NEW**

**F21050**

Stainless steel Cylindrical pin  
D.3x26mm

Status: available in warehouse

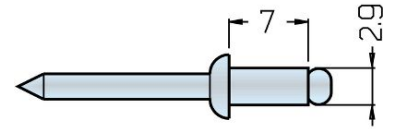
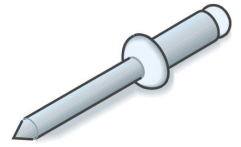


**B1080-001061** **NEW**

**F10105**

Aluminum alloy rivets 2,9x7mm.

Status: available in warehouse



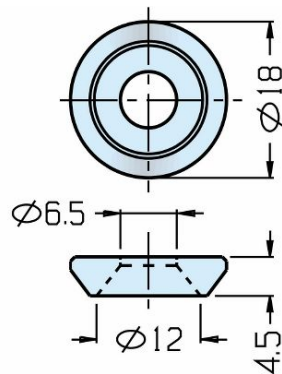
**B1080-001528** **NEW**

**N90103**

Under-support for countersunk  
head screw of M6

Material: steel

Finishing: nickel plating



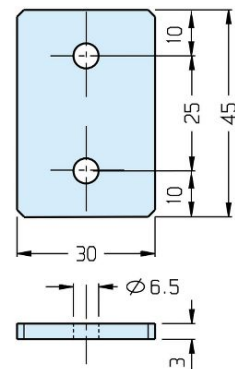
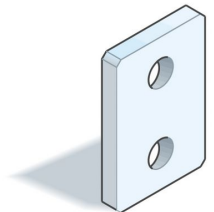
**B1010-144753** **NEW**

**N20753**

doubling plate for Q.25mm profile  
Material: Stainless steel AISI304, 3  
mm Thickness

Finishing: blasted

Weight: 0.030 Kg

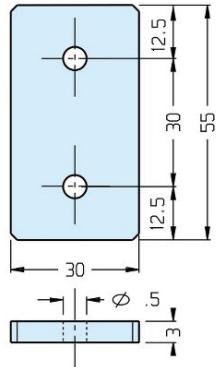
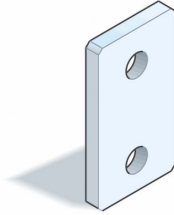


## Sundry accessories

**B1010-144749** **NEW**

**N20751**

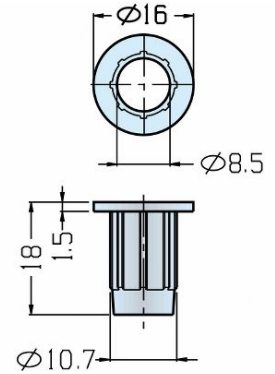
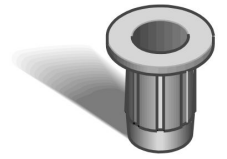
doubling plate for Q.30mm profile  
 Material: Stainless steel AISI304, 3 mm Thickness  
 Finishing: blasted  
 Weight: 0.036 Kg



**B1080-001395** **NEW**

**L16103**

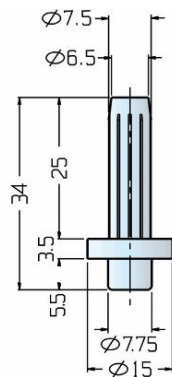
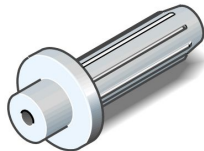
Polyamide (with fiberglass)  
 hinge bushing  
 Colour: Grey  
 Delivery condition: in stock  
 Note: to be used with codes N50114 and N50116



**B1080-000038** **NEW**

**L16102**

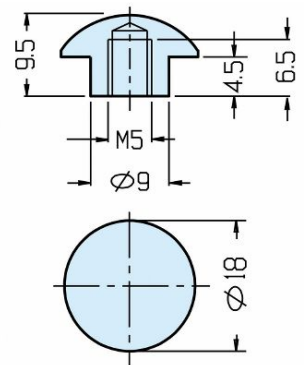
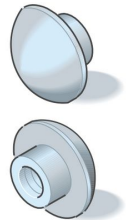
Polyamide (with fiberglass) pin  
 Color: Grey  
 Status: available in ware house



**B1080-000117** **NEW**

**N90208**

Threaded bushing M5mm  
 Material: butter-finished stainless steel  
 Delivery condition: in stock

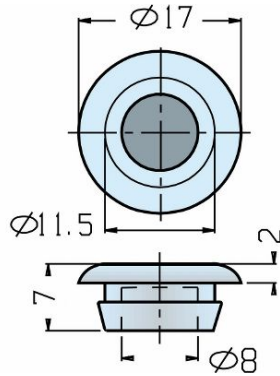


## Sundry accessories

**B1050-001214** **NEW**

**F21711**

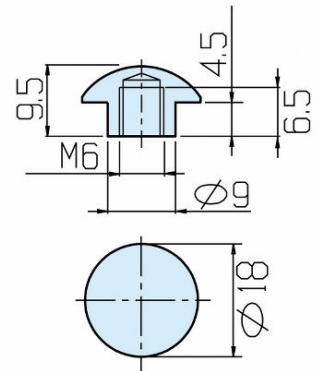
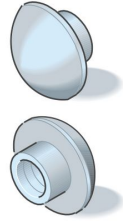
Round cap  
Colour: grey



**B1080-000118** **NEW**

**N90209**

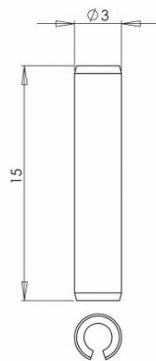
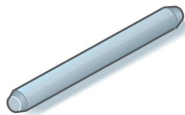
Threaded bushing M6 mm  
Material: butter-finished stainless steel  
Delivery condition: in stock



**B1080-001326** **NEW**

**F21045**

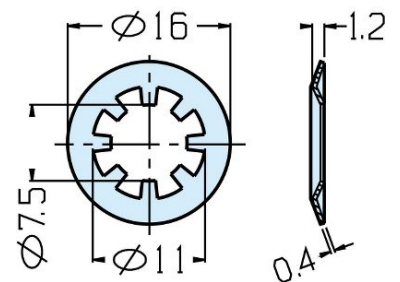
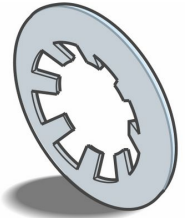
Cylindrical pin



**B1080-001316** **NEW**

**F20508**

Self-locking ring 8mm diameter  
Status: available in warehouse

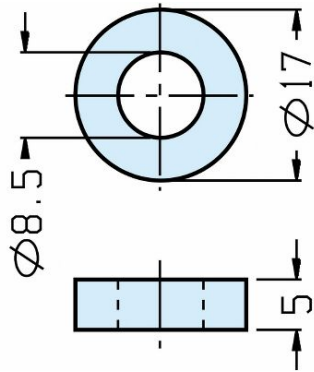
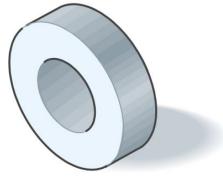


## Sundry accessories

**B1010-144707** **NEW**

**F20210**

Nylon spacer  
Color: White  
Status: available in warehouse



**B1080-001116** **NEW**

**F10386**

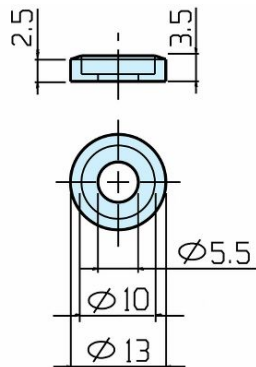
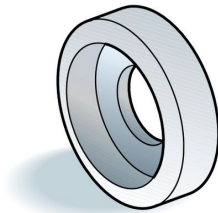
Flat head screw 4.8x19.1 to be used  
for fixed /removable solution with  
L15137



**B1080-001296** **NEW**

**F12749**

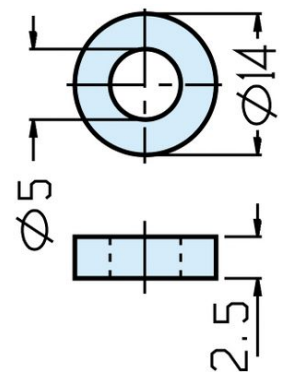
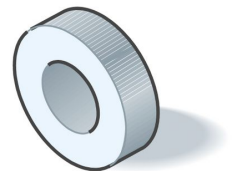
Plain under-support for  
M5 countersunk cheese-head screw  
Delivery condition: 500 pc pack



**B1080-001293** **NEW**

**F12705**

Nylon washer

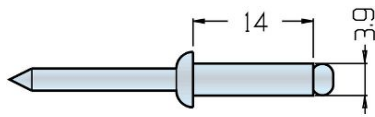
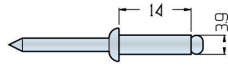


## Sundry accessories

**B1080-001050** **NEW**

**F10111**

Aluminum alloy rivets



**B1080-001401** **NEW**

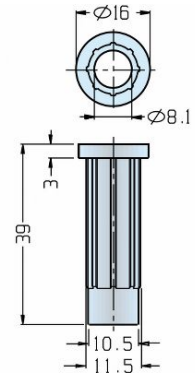
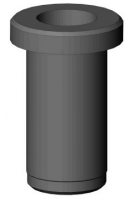
**L16112**

Polyamide (with fiberglass) bushing

Length 36mm, upper head 3mm

Colour: Grey

Delivery condition: in stock.



**B1010-144709** **NEW**

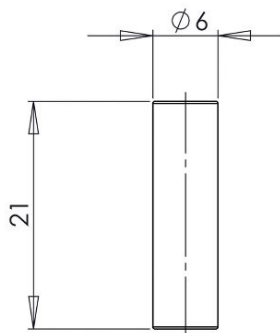
**F22530**

Pin D6x20 for slide

Material: hardened Fe

Delivery condition: in stock

Note: together with code N40132 (support) and code N90902 (wheel) it represents an effective alternative to coupling N15849 for door sliding. It is the ideal solution for long sliding doors, and it proves particularly suitable in case of frequent part replacement.



**B1080-001525** **NEW**

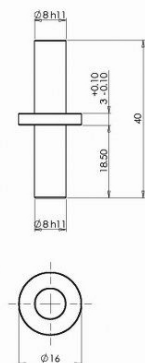
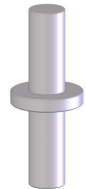
**N30185**

Hinge pin D.8 / D.16mm H=40mm

Material: AISI 304

Delivery status: in stock

Note: Used on A40777 profile (MP97)



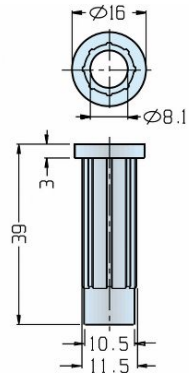
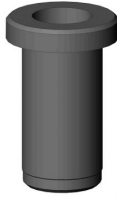


## Sundry accessories

**B1080-001401** **NEW**

**L16112**

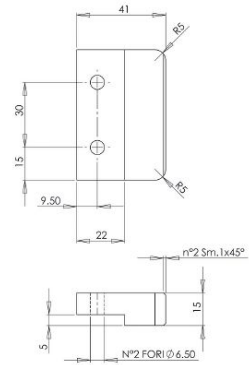
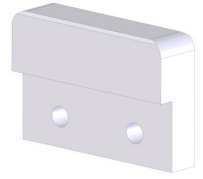
Polyamide (with fiberglass) bushing  
 Length 20mm, upper head 3mm  
 Color: Grey  
 Delivery condition: in stock.



**B1050-002087** **NEW**

**N20782**

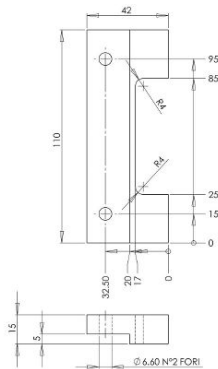
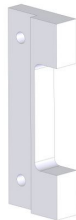
Driving block for sliding door H=60mm  
 Material: white polyzene  
 Delivery condition: in stock  
 Note: It replaces codes L19153 and L19155 in case of very heavy sliding doors



**B1010-096203** **NEW**

**1D1000250229**

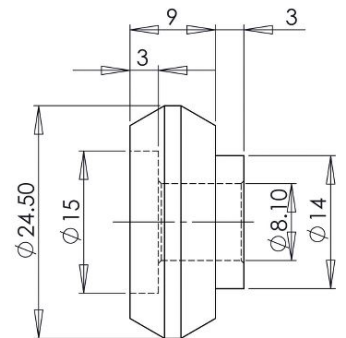
Driving block for sliding door in the stiffening crosspiece area H=110, white polyzene



**B1050-001944** **NEW**

**L16201**

Wheel D25, linear guide for profile MP75, MP77, MP78  
 Material: white nylon  
 Delivery condition: in stock



## Sundry accessories

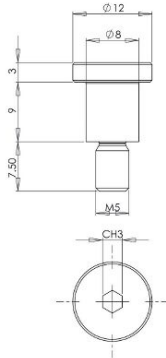
**B1080-001524** **NEW**

**N30184**

Wheel pin D5, linear guide for profile  
MP75, MP77, MP78

Stainless steel AISI 304

Delivery condition: in stock



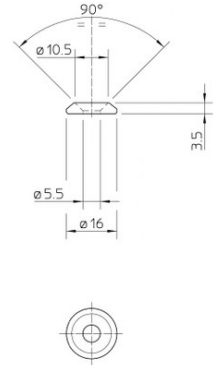
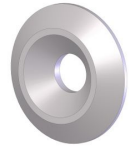
**B1080-001529** **NEW**

**N90104**

Under-support for countersunk  
head screw of M5

Material: steel

Finishing: nickel plating



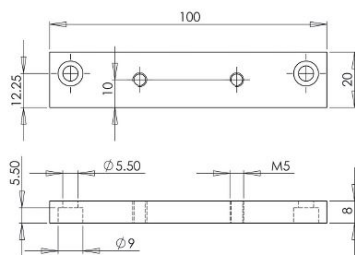
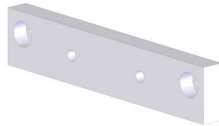
**B1050-002109** **NEW**

**N40130**

Linear guide slide for 2 sliding rollers  
for profile MP75, MP77, MP78

Shot-peened aluminum

Delivery condition: in stock



**B1080-001526** **NEW**

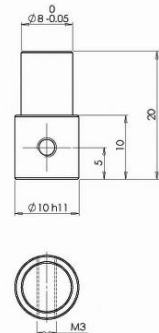
**N30186**

Hinge pin D.8 /D.16mm H=20mm

Material: AISI 304

Delivery status: in stock

Note: Used on A40777 profile (MP97)  
only with N50131 hinge support



## Sundry accessories

**B1050-002153** **NEW**

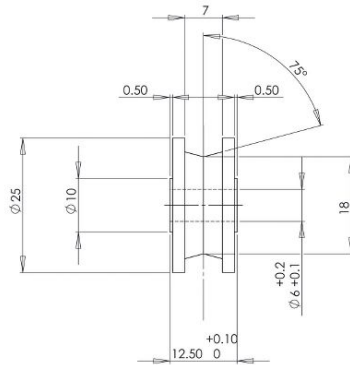
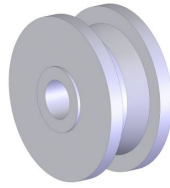
**N90902**

Polyamide wheel slide for sliding door

Colour: RAL 7039

Delivery condition: in stock

Note: together with code F22530 (pin) and code N40132 (support) it represents an effective alternative to coupling N15849 for door sliding. It is the ideal solution for long sliding doors, and it proves particularly suitable in case of frequent part replacement



**B1050-002111** **NEW**

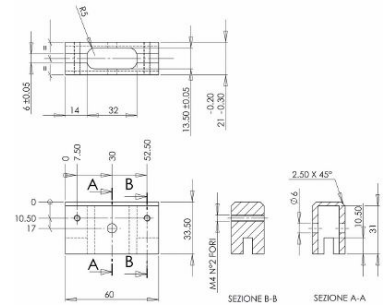
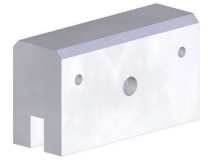
**N40132**

Polyamide wheel slide for sliding door

Colour: RAL 7039

Delivery condition: in stock

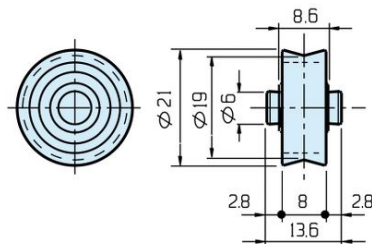
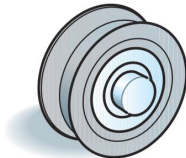
Note: together with code F22530 (pin) and code N90902 (wheel) it represents an effective alternative to coupling N15849 for door sliding. It is the ideal solution for long sliding doors, and it proves particularly suitable in case of frequent part replacement.



**B1080-001349** **NEW**

**F22524**

Internal bearing for sliding support



**B1080-001219** **NEW**

**F11055**

Grub screw for ring nut

Material: galvanised Fe

Delivery condition: in stock

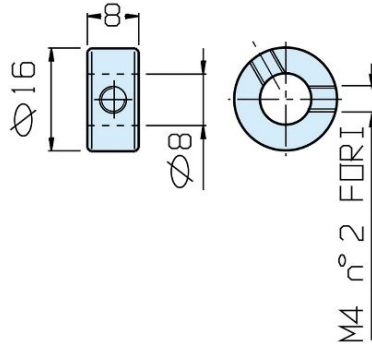
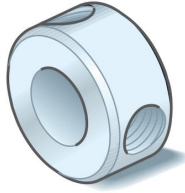


## Sundry accessories

**B1080-001537** **NEW**

**N90810**

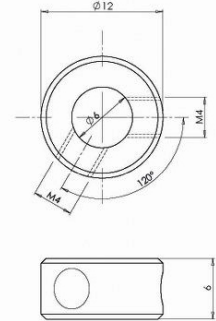
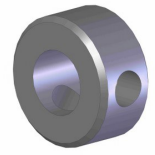
Ring nut for pin diameter 8mm  
Material: stainless steel AISI304  
Delivery condition: in stock



**B1080-001536** **NEW**

**N90809**

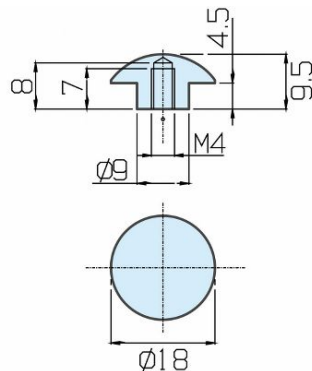
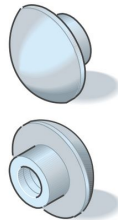
Ring nut for pin diameter 6mm  
Material: stainless steel AISI304  
Delivery condition: in stock



**B1080-000116** **NEW**

**N90207**

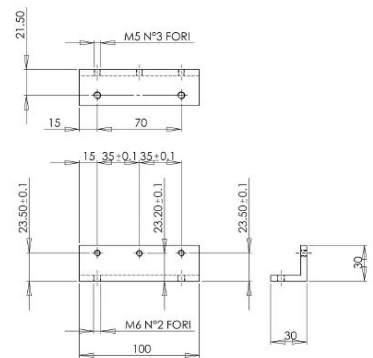
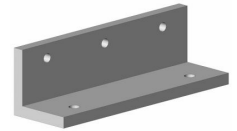
Threaded bushing M4 mm  
Material: butter-finished stainless steel  
Delivery condition: in stock



**B1050-002112** **NEW**

**N40133**

Linear guide slide for 3 sliding rollers  
for profile MP75, MP77, MP78  
Shot-peened aluminum  
Delivery condition: in stock



# ELECTRICAL MATERIAL ACCESSORIES

For the housing of electrical connection cables, a range of easy to use and fit accessories is available: cable ducts, quick-fit couplings and sheaths made of self-extinguishing material.

*Product specifications and dimensions are indicative as they may be subject to changes by the supplier. Lpm Group disclaims any responsibility for any differences found on the product.*

## **SHEATHS AND COUPLINGS: Product technical characteristics**

Flexible sheath material: special polyamide "6"

Colour: RAL 7031 grey

Operating temperature: min -40 °C, max +105 °C

Inflammability: self-extinguishing V-0

Resistant to:

most oils up to 100°C, solvents, fuels, acids, liquid substances, electroerosion, etc....

Smooth sheath material:

self-extinguishing PVC

Colour: grey

Operating temperature: min -15 °C, max +70 °C

Inflammability: self-extinguishing V-0

Resistant to:

acids in general, alcohol, carbonates, chlorides, liquid substances, nitrates, sulphates, sulphides.

## **CABLE DUCTS: Product technical characteristics**

Material: Rigid PVC

Colour: RAL 7030 grey

Thermal characteristics: VICAT (softening point) 84°C

Inflammability: self-extinguishing V-0

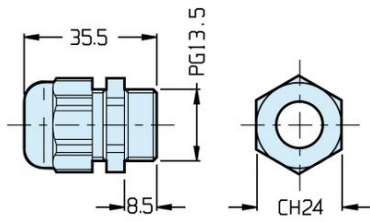
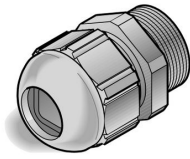
Resistant to: alcohol, acids and bases

Connection electric material

**B1050-001541** NEW

**G11171**

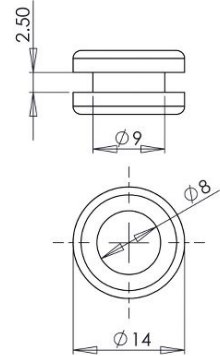
Cable grip PG 13.5  
 Colour: grey  
 Weight m /l: 0.01 Kg



**B1050-001536** NEW

**G11156**

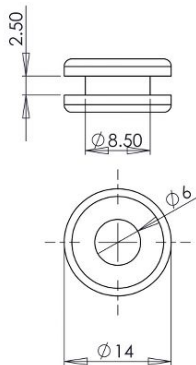
Grommet for D8mm  
 Color: black



**B1050-001535** NEW

**G11155**

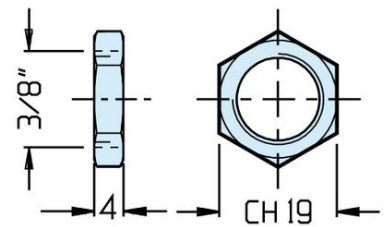
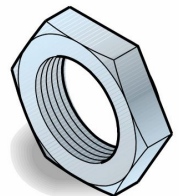
Grommet for D6mm  
 Color: black



**B1080-001391** NEW

**G11140**

Ring nut G.3 /8  
 Weight m /l: 0.004 Kg  
 Material: nickel-plated brass



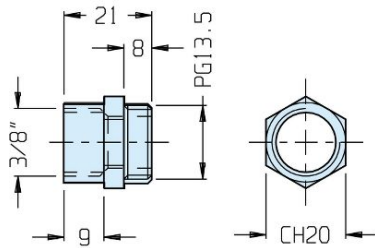
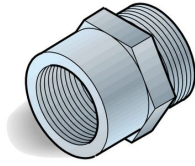
## Connection electric material

**B1050-001533** NEW

**G11110**

Adapter PG 13,5x3/8"

Color: Grey



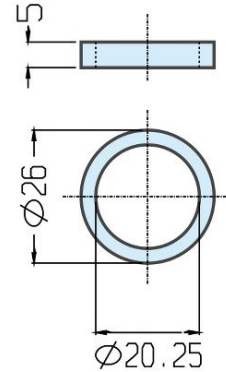
**B1080-001399** NEW

**L16110**

Washer

Colour: black

Weight m /l: 0.001 Kg



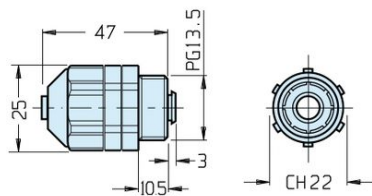
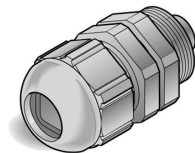
**B1050-002386** NEW

**G11180**

Straight revolving coupling PG 13.5

Colour: grey

Weight: 0.014 Kg



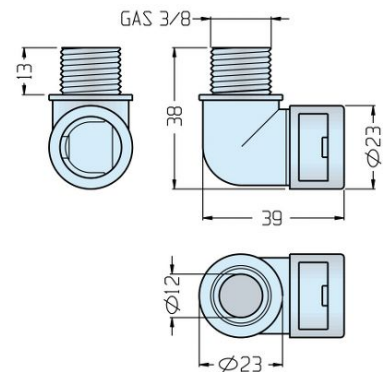
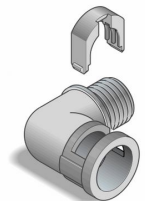
**B1050-001540** NEW

**G11165**

90° coupling

Colour: grey

Weight: 0.010 Kg

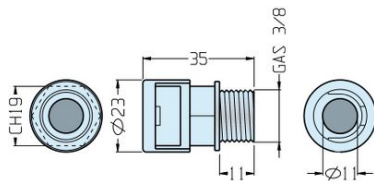
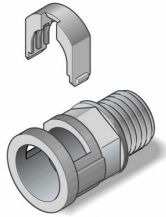


## Connection electric material

**B1050-001539** NEW

**G11164**

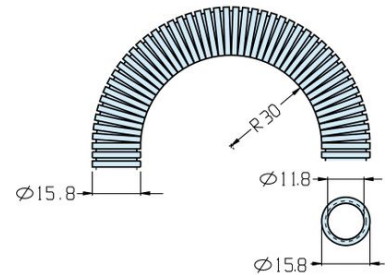
Straight coupling M16x1,5  
 Colour: grey  
 Weight: 0.006 Kg



**B1050-001528** NEW

**G10661**

Flexible sheath  
 Colour: grey  
 Weight m /l: 0.250 Kg

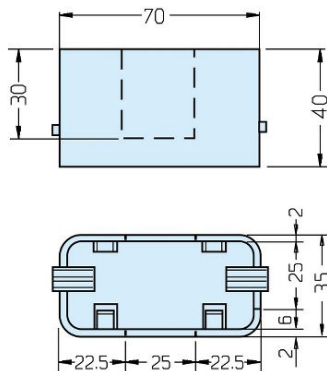
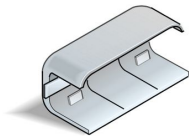


## Electric channel series 25

**B1050-002385** NEW

**G16144**

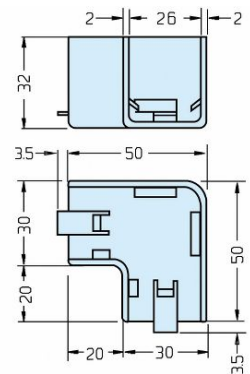
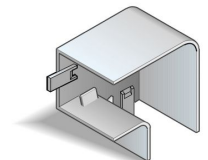
T-joint  
 Colour: grey  
 Weight m /l: 0.022 Kg



**B1050-001599** NEW

**G16143**

Flat corner  
 Colour: grey  
 Weight m /l: 0.017 Kg



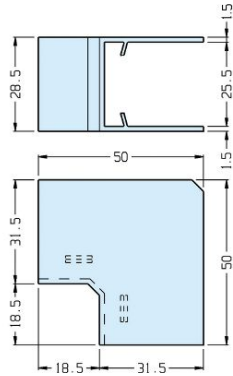
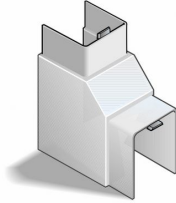


## Electric channel series 25

**B1080-001394** NEW

**G16142**

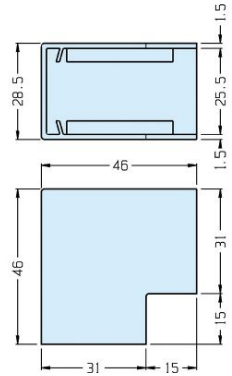
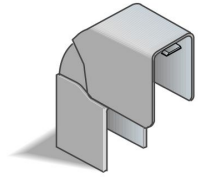
Inner corner  
Colour: grey  
Weight m /l: 0.034 Kg



**B1050-001598** NEW

**G16141**

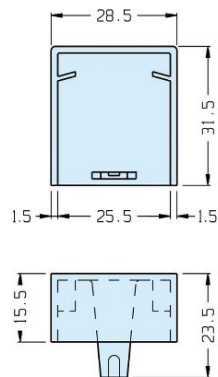
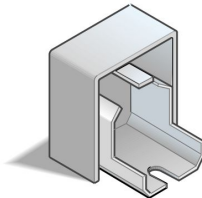
Outer corner  
Colour: grey  
Weight: 0.025 Kg



**B1050-000409** NEW

**G16140**

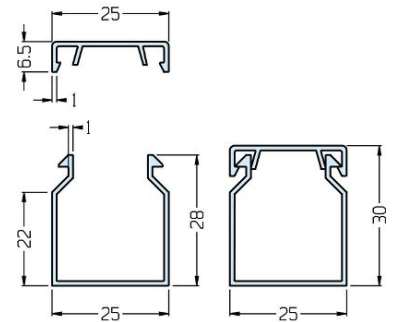
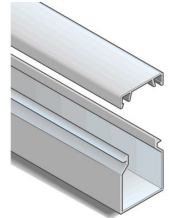
End piece  
Colour: grey  
Weight: 0.008 Kg



**B1050-001565** NEW

**G16105**

Channel  
Colour: grey  
Weight m /l: 0.250 Kg



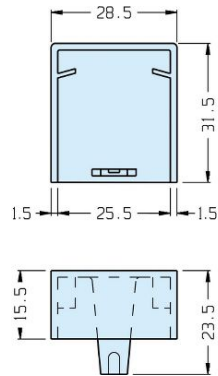
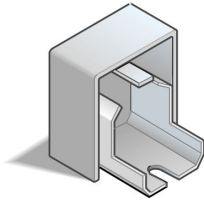
## Electric channel series 40

**B1050-001568** **NEW**

**G16108**

End piece for PVC channel series  
40x40

Colour: grey

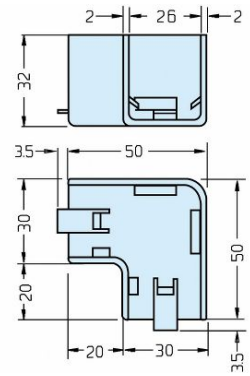
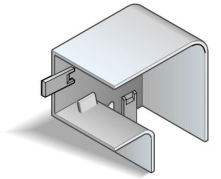


**B1050-001567** **NEW**

**G16107**

Flat corner for PVC channel series  
40x40

Colour: grey

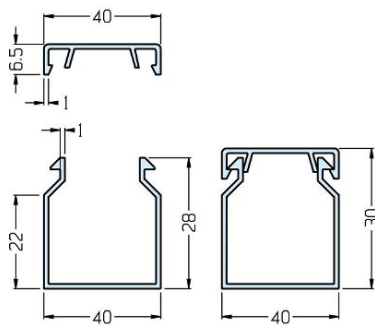
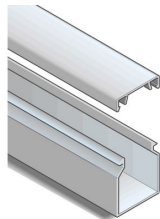


**B1050-001566** **NEW**

**G16106**

PVC channel series 40x40

Colour: grey



## Aluminum electric channel

**B1050-001601** **NEW**

**G16146**

End piece for channel series 30x30

Material: Plastic

Colour: black



**B1050-001604** **NEW**

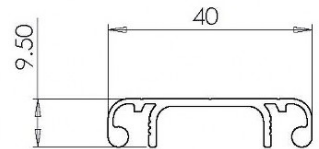
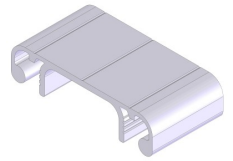
**G16148**

Aluminum channel cover series 40x40

Finish: Silver anodised

Delivery condition: Bar L= 6000mm

Note: In stock.



**B1050-001611** **NEW**

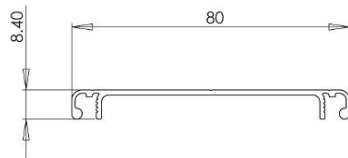
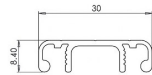
**G16153**

Aluminum channel cover series 30x30

Finish: Silver anodised

Delivery condition: Bar L= 6000mm

Note: In stock.



**B1050-001609** **NEW**

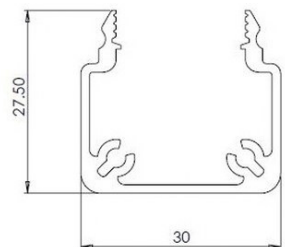
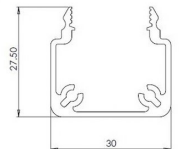
**G16152**

Aluminum channel series 30x30

Finish: Silver anodised

Delivery condition: Bar L= 6000mm

Note: In stock.

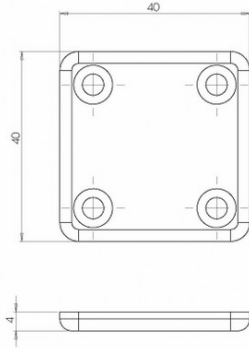
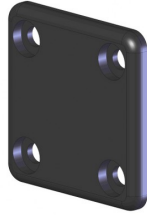


## Aluminum electric channel

**B1050-001600** NEW

**G16145**

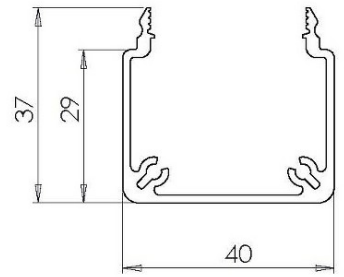
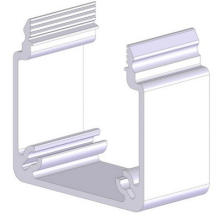
End piece for channel series 40x40  
Material: Plastic  
Colour: black



**B1050-001602** NEW

**G16147**

Aluminum channel series 40x40  
Finish: Silver anodised  
Delivery condition: Bar L= 6000mm  
Note: In stock



# SCREWS

*Product specifications and dimensions are indicative as they may be subject to changes by the supplier.  
Lpm Group disclaims any responsibility for any differences found on the product.*

## Screws

**B1080-000445** **NEW**

**F10538**

Stainless steel special head M6x20  
screw, H=4mm

Material: AISI 304

Delivery condition: in stock

Note: Many Milpass system  
accessories feature this component  
independent of the selected line.



# INDICE ALFABETICO CODICI

Cod.	Pg.	Cod.	Pg.	Cod.	Pg.	Cod.	Pg.	Cod.	Pg.	Cod.	Pg.	Cod.	Pg.	Cod.	Pg.	Cod.	Pg.
1A0200251221	143	A40823	8	F11303A	152	F50652	19	L15511	38	L15870	53	N15903A	47	N50130	135		
1A0200340112	86	A40824	8	F11304	153	F50801	20	L15801	37	L15871	57	N15907A	46	N50131	136		
1A0400280187	101	A40825	10	F11304A	151	F50803	19	L15802	40	L15872	54	N15908A	46	N90103	156		
1C0100250063	99	A40826	13	F11307	153	F50805	20	L15803	41	L15873	57	N15911A	49	N90104	162		
1C0200250034	73	A40827	8	F11307A	151	F50806	19	L15804	44	L15874	53	N15912A	49	N90207	164		
1C0200250105	74	A40828	8	F11308	152	F50808	20	L15805	44	L15875	57	N15913A	49	N90208	157		
1C0200280370	102	A40829	11	F11308A	151	F50810	20	L15807	42	L16102	157	N15917A	49	N90209	158		
1D1000250229	161	A40830	15	F11309	152	F50813	21	L15808	43	L16103	157	N15918A	48	N90809	164		
5046105	85	A40831	15	F11309A	151	F50814	21	L15809	44	L16110	167	N15928A	48	N90810	164		
5046105T	68	A40832	14	F12705	159	F50815	21	L15811	38	L16112	160	N15941A	46	N90902	163		
A40701	6	A40833	14	F12749	159	F50836	22	L15812	41	L16201	161	N15944A	48	OD52105	26		
A40702	5	A42126	4	F20210	159	F70122	131	L15813	42	L19133	89	N15955A	46	OD52108	26		
A40703	5	A42130	4	F20508	158	G10661	168	L15814	44	L19134	90	N15956A	48	Vetro-Securit-10mm	31		
A40704	12	D00304	32	F21045	158	G11110	167	L15815	43	L19142	142	N15984A	50	Vetro-Securit-4-5	31		
A40706	7	D00404	32	F21050	156	G11140	166	L15817	42	L19153	91	N15985A	50	Vetro-Securit-6-7	31		
A40707	5	D00504	32	F21404	88	G11155	166	L15818	43	L19155	92	N15986A	45	Vetro-Securit-8mm	31		
A40708	6	D11103	30	F21711	158	G11156	166	L15819	43	L19156	93	N15987A	45				
A40709	5	D11104	30	F21804	65	G11164	168	L15821	53	L19162	69	N15990A	47				
A40710	4	D21102	30	F21805	65	G11165	167	L15822	53	L19163	96	N15994A	47				
A40711	14	D21103	29	F21807	65	G11171	166	L15823	52	L19164	95	N20703	145				
A40712	14	D40104	24	F21851	66	G11180	167	L15826	54	L19165	71	N20704	149				
A40713	4	D40303	24	F21852	66	G16105	169	L15827	54	L19166	78	N20751	157				
A40715	6	D40505	25	F22524	163	G16106	170	L15828	54	L19168	70	N20753	156				
A40716	7	D40604	24	F22530	160	G16107	170	L15829	37	L19169	72	N20758	104				
A40720	7	D40905	24	F30114	120	G16108	170	L15830	39	L19170	75	N20777	138				
A40721	6	D41603	27	F30120	120	G16140	169	L15838	40	L19171	76	N20779	137				
A40722	13	D50103	25	F30125	119	G16141	169	L15840	39	L19179	130	N20782	161				
A40723	12	D50455	27	F30127	121	G16142	169	L15841	37	L19201	106	N20851	97				
A40724	12	D50485	27	F30128	119	G16143	168	L15842	40	L19202	107	N20852	98				
A40727	17	D50498	26	F30130	119	G16144	168	L15843	38	L21111	60	N20910A	148				
A40730	12	D53108	26	F30150	119	G16145	172	L15844	38	L21112	61	N20990	103				
A40731	11	D60105	28	F30151	120	G16146	171	L15846	56	L21113	61	N25501	66				
A40753	17	D60905	28	F30225	121	G16147	172	L15847	58	L21114	60	N25504	66				
A40753L	15	D61106	28	F30228	121	G16148	171	L15850	41	L21115	60	N30141	140				
A40765	17	D70104	33	F30230	120	G16152	171	L15851	42	L21116	63	N30184	162				
A40766	16	F10105	156	F30302	77	G16153	171	L15853	56	L21120	62	N30185	160				
A40767	11	F10111	160	F31111AA	108	G20438	147	L15854	58	L21121	62	N30186	162				
A40768	16	F10164	155	F31111AB	110	G20442	146	L15855	56	L21122	62	N40130	162				
A40769	16	F10165	155	F31111AC	111	H10105	35	L15856	58	L21123	62	N40131	100				
A40777	16	F10166	155	F31112	109	H11116	35	L15857	56	L21124	61	N40132	163				
A40778	15	F10168	155	F31116	115	L15131	83	L15858	58	L21125	61	N40133	164				
A40801	9	F10184	154	F31141A	113	L15131A	84	L15859	55	Lamiera-Forata-q10	29	N40140	94				
A40806	10	F10185	154	F31161A	114	L15136	87	L15860	57	Lamiera-Inox	29	N50114	123				
A40808	9	F10186	154	F31173A	127	L15137	79	L15864	52	Lamiera-Verniciata	29	N50115	124				
A40815	9	F10188	154	F31174A	128	L15137B	81	L15865	55	N15605	45	N50116	126				
A40816	10	F10386	159	F31175A	129	L15138	80	L15866	52	N15606	45	N50117	125				
A40820	10	F10538	174	F31305	116	L15138B	82	L15867	55	N15839	39	N50124	132				
A40821	9	F11055	163	F42180	141	L15214	112	L15868	52	N15849	39	N50128	133				
A40822	13	F11303	153	F50150	19	L15501	37	L15869	55	N15902A	47	N50129	134				



**lpm**  
lpm.group

